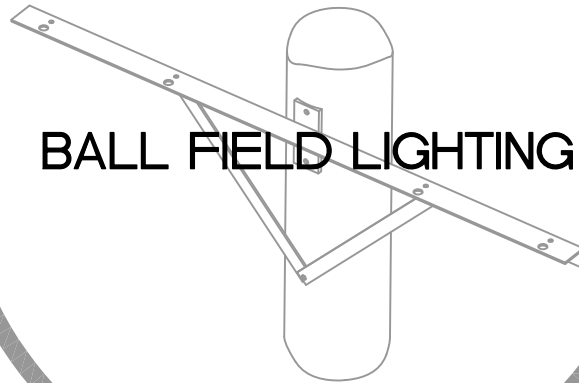


**ACTION MANUFACTURING, INC.**



**PRODUCT CATALOG**



---

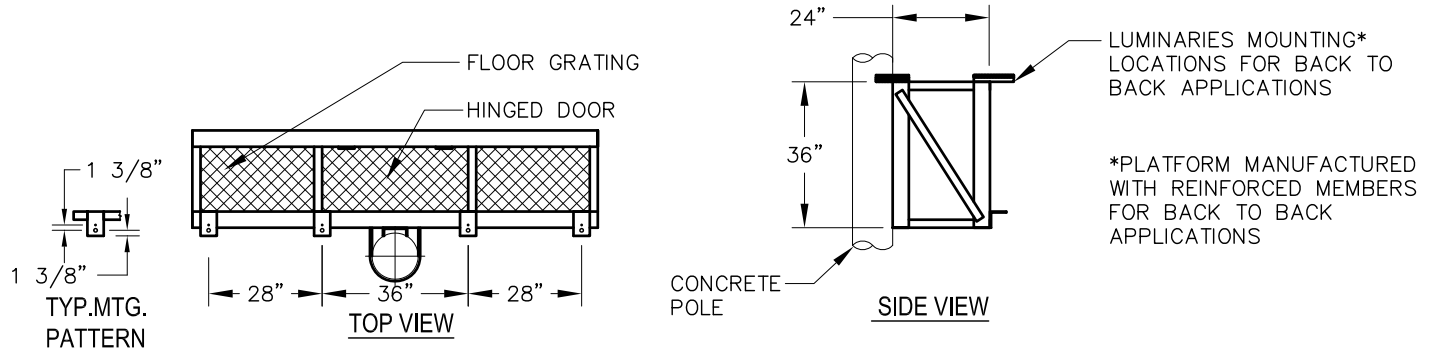
## SECTION INDEX

---

PLATFORM MOUNTING .....	BFL-1	BACK TO BACK LIGHTING .....	BFL-4
POLE MOUNTING .....	BFL-2	4 FIXTURE TUBULAR ARM .....	BFL-5
STRUCTURAL STEEL CROSSARMS .....	BFL-3	5 FIXTURE TUBULAR ARM .....	BFL-5

## PLATFORM MOUNTING

PLATFORMS ARE MANUFACTURED OF HOT DIPPED GALVANIZED STEEL, IF A SPECIAL FINISH OR COLOR IS REQUIRED IT MUST BE SPECIFICALLY REQUESTED. AS EACH LIGHTING MANUFACTURER HAS THEIR OWN FIXTURE MOUNTING CONFIGURATION, CARE MUST BE TAKEN TO ENSURE THE CORRECT MOUNTING PATTERN IS SPECIFIED. THIS WILL ENSURE COMPATIBILITY BETWEEN PLATFORM AND FIXTURE.



CONFIGURATIONS	PLATFORM CATALOG NUMBER	NUMBER OF FLOODLIGHTS	PLATFORM SIZE	
			WEIGHT (LBS)	E.P.A. (SQ.FT)
<p>72" 4 FIX</p>	AMI-909	4	300	8
	AMI-910	8 (4 FLOODLIGHTS BACK TO BACK)	400	8 1/2
<p>96" 4 FIX</p>	AMI-911	8	450	11
	AMI-912	16 (8 FLOODLIGHTS BACK TO BACK)	600	11 1/2
<p>156" 12 FIX</p>	AMI-913	12	600	18
	AMI-914	24 (12 FLOODLIGHTS BACK TO BACK)	750	19
<p>212" 16 FIX</p>	AMI-915	16	850	26
	AMI-916	32 (16 FLOODLIGHTS BACK TO BACK)	1000	27
<p>156" 18 FIX</p>	AMI-917	18	750	28

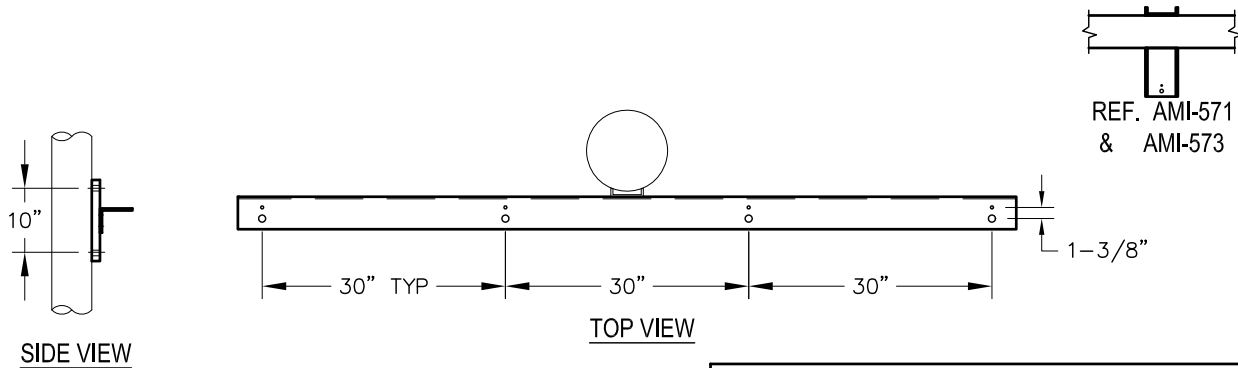
# BALL FIELD LIGHTING

ACTION  
MFG.  
INC.

BFL-2

## POLE MOUNTING

STEEL CROSSARMS FOR FLOODLIGHTS.



NOTE: CATALOG NUMBERS SHOWN ARE FOR GALVANIZED STEEL ARMS FOR ALUMINUM ARMS CONTACT US.

### CONFIGURATIONS

CATALOG NUMBER

CROSS ARM SIZE

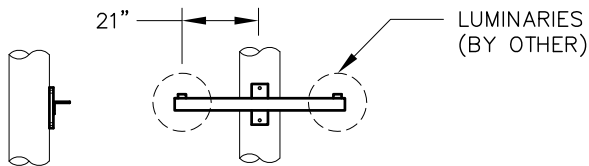
MAXIMUM INDIVIDUAL FLOODLIGHT SIZE

E.P.A. SQ.FT.

WEIGHT LBS.

E.P.A. SQ.FT.

WEIGHT LBS.



(2) FIXTURES

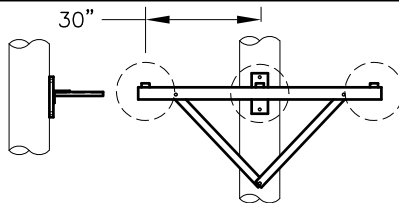
AMI-570

2.5

60

4.5

120



(3) FIXTURES

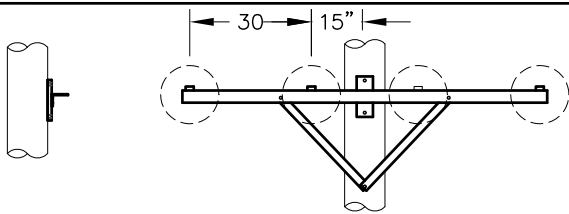
AMI-571

4.0

90

4.5

120



(4) FIXTURES

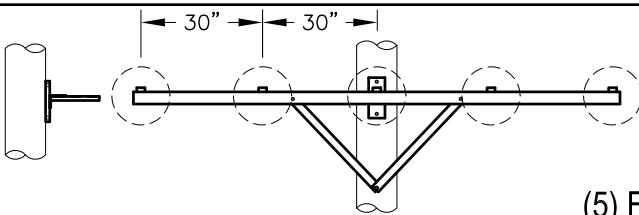
AMI-572

6.0

115

4.5

120



(5) FIXTURES

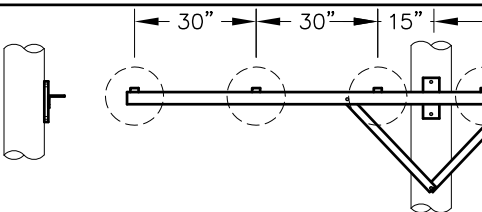
AMI-573

6.5

140

4.5

120



(6) FIXTURES

AMI-574

11.0

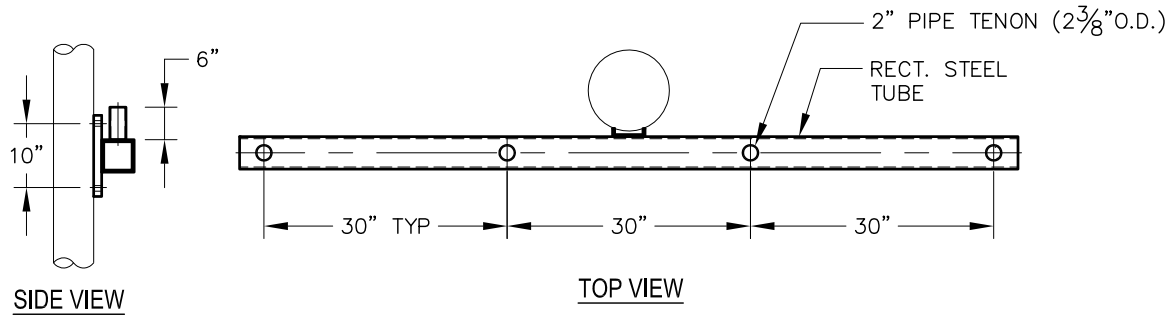
180

4.5

120

## STRUCTURAL STEEL CROSSARMS

FOR FLOODLIGHT TENON DESIGN INCLOSED WIRING.

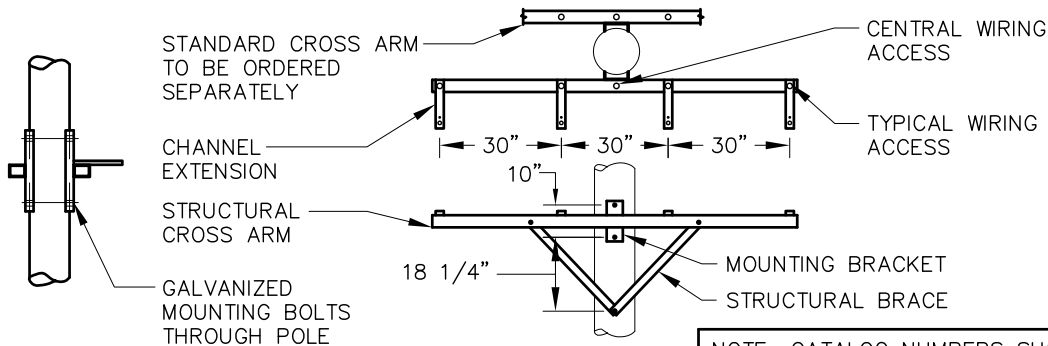


NOTE: CATALOG NUMBERS SHOWN ARE FOR GALVANIZED STEEL ARMS FOR ALUMINUM ARMS CONTACT US.

CONFIGURATIONS	CATALOG NUMBER	CROSS ARM SIZE		MAXIMUM INDIVIDUAL FLOODLIGHT SIZE	
		E.P.A. SQ.FT.	WEIGHT LBS.	E.P.A. SQ.FT.	WEIGHT LBS.
<p>(2) FIXTURES</p>	AMI-575	2.5	60	4.5	120
<p>(3) FIXTURES</p>	AMI-576	4.0	90	4.5	120
<p>(4) FIXTURES</p>	AMI-577	6.0	115	4.5	120
<p>(5) FIXTURES</p>	AMI-578	6.5	140	4.5	120
<p>(6) FIXTURES</p>	AMI-579	11.0	180	4.5	120

## BACK TO BACK LIGHTING

WHEN MOUNTING CROSS ARMS BACK TO BACK, CARE MUST BE TAKEN TO ENSURE THE FLOODLIGHT BALLAST DO NOT TOUCH THE BALLASTS ON THE OPPOSITE CROSS ARM. ON OUR LARGER POLE TOP SIZES THIS IS GENERALLY NOT A PROBLEM, BUT ON THE SMALLER POLE TOP SIZES (4 3/4" & 6 1/2") IT MAY BE A CONCERN. IT IS OUR RECOMMENDATION WHEN CROSS ARMS ARE TO BE MOUNTED BACK TO BACK ONE OF THE CROSS ARMS SHOULD HAVE OFFSET MOUNTING POSITIONS AS DETAILED BELOW. THE OTHER CROSS ARM CAN BE A STANDARD TYPE.



NOTE: CATALOG NUMBERS SHOWN ARE FOR GALVANIZED STEEL ARMS FOR ALUMINUM ARMS CONTACT US.

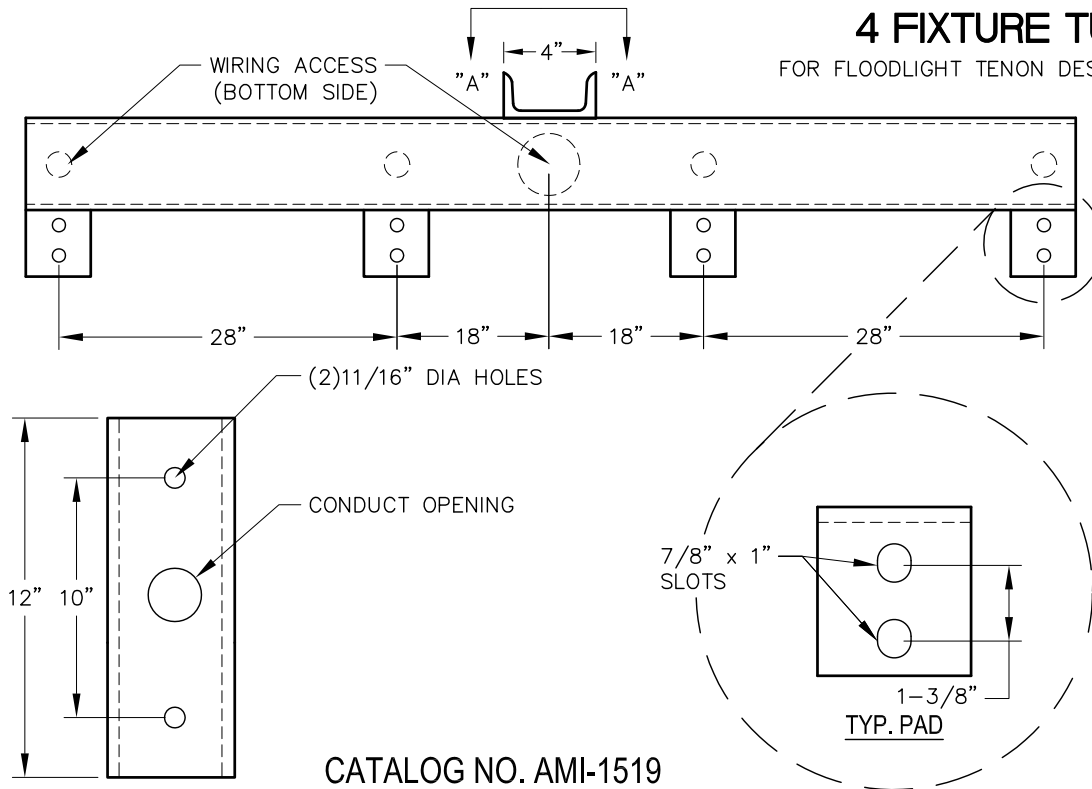
### CONFIGURATIONS

CONFIGURATIONS	CATALOG NUMBER	CROSS ARM SIZE		MAXIMUM INDIVIDUAL FLOODLIGHT SIZE	
		E.P.A. SQ.FT.	WEIGHT LBS.	E.P.A. SQ.FT.	WEIGHT LBS.
<p>(2) FIXTURES</p>	AMI-580	2.5	60	4.5	120
<p>(3) FIXTURES</p>	AMI-581	4.0	90	4.5	120
<p>(4) FIXTURES</p>	AMI-582	6.0	115	4.5	120
<p>(5) FIXTURES</p>	AMI-583	6.5	140	4.5	120
<p>(6) FIXTURES</p>	AMI-584	11.0	180	4.5	120

# BALL FIELD LIGHTING

## 4 FIXTURE TUBULAR ARM

FOR FLOODLIGHT TENON DESIGN INCLOSED WIRING.



### CATALOG NO. AMI-1519

#### SPECIFICATIONS:

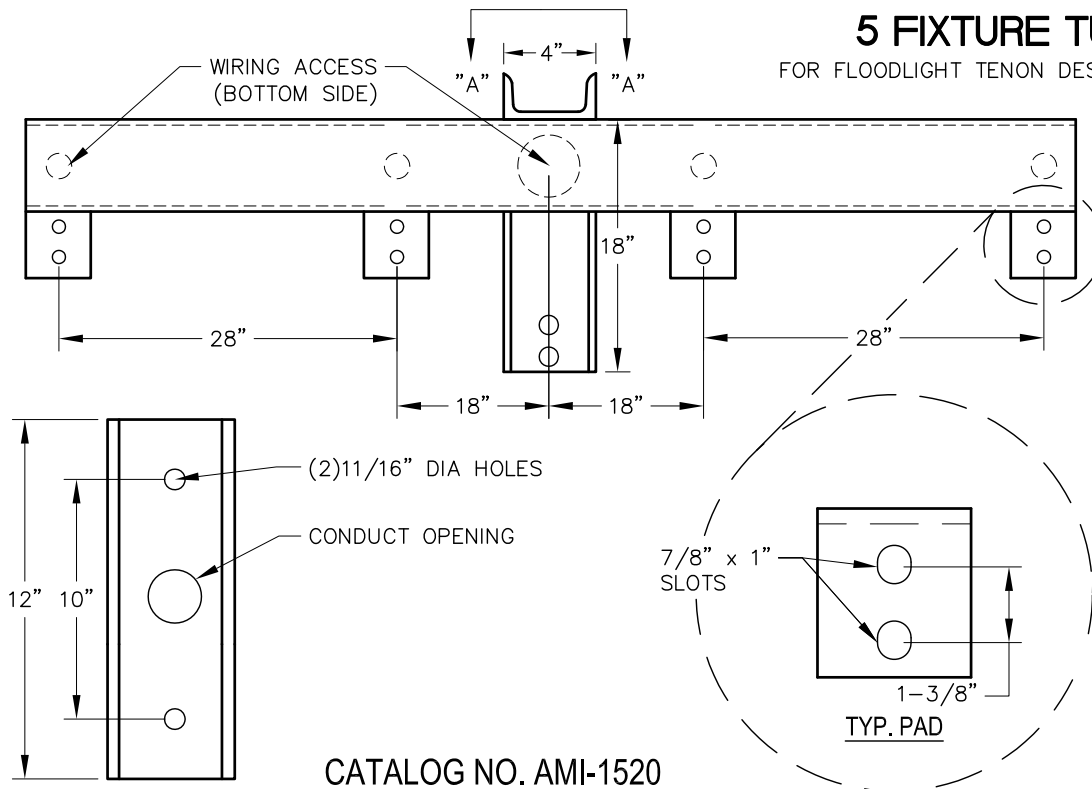
1. HOT DIP GALVANIZED AS PER ASTM A-153 AFTER FABRICATION.
2. ALL JOINTS ARE TO BE SEAL WELDED.

#### CHANNEL BASE

VIEW "A - A"

## 5 FIXTURE TUBULAR ARM

FOR FLOODLIGHT TENON DESIGN INCLOSED WIRING.



### CATALOG NO. AMI-1520

#### SPECIFICATIONS:

1. HOT DIP GALVANIZED AS PER ASTM A-153 AFTER FABRICATION.
2. ALL JOINTS ARE TO BE SEAL WELDED.

#### CHANNEL BASE

VIEW "A - A"



## CUTOUT AND ARRESTER BRACKETS

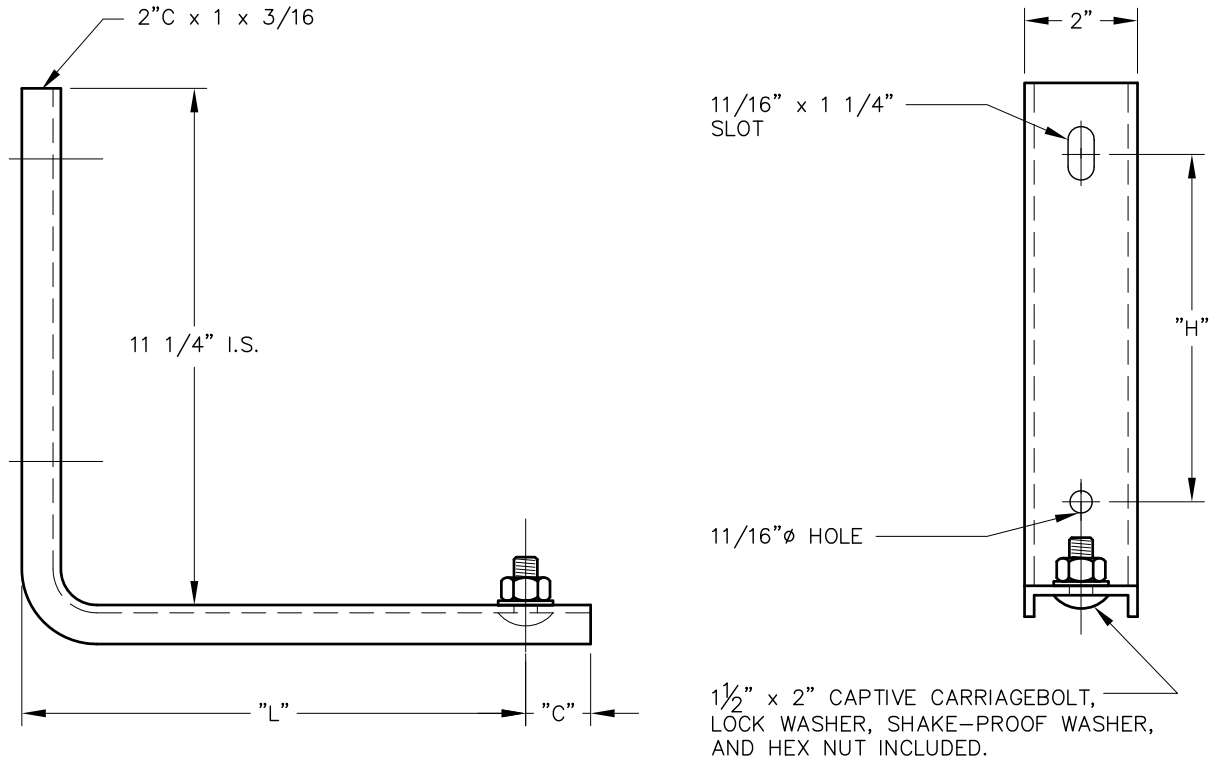
### SECTION INDEX

SINGLE PHASE MOUNTS .....	CA-1	EQUIPMENT MOUNTING BRACKET .....	CA-10
SINGLE PHASE MOUNTS .....	CA-2	THREE PHASE BRACKETS .....	CA-11
SINGLE PHASE MOUNTS .....	CA-3	THREE PHASE BRACKET .....	CA-12
SINGLE PHASE MOUNTS .....	CA-4	POLE MOUNTED SINGLE PHASE BRACKET ..	CA-12
SINGLE PHASE MOUNTS .....	CA-5	SECONDARY RACK EXTENSION BRACKET ..	CA-13
SINGLE PHASE MOUNTS .....	CA-6	BACKSTRAP .....	CA-13
SINGLE PHASE MOUNTS .....	CA-7	CUTOUT AND ARRESTOR BRACKETS .....	CA-14
SINGLE PHASE MOUNT .....	CA-8	CROSSARM MOUNTS .....	CA-15
THREE PHASE TERMINATOR MOUNT .....	CA-8	CROSSARM MOUNTS .....	CA-16
MOUNTING STRAPS .....	CA-9	CROSSARM MOUNTS .....	CA-17
		TANK MOUNTED S.A. BRACKET .....	CA-18

# CUTOUT AND ARRESTER BRACKETS

CA-1

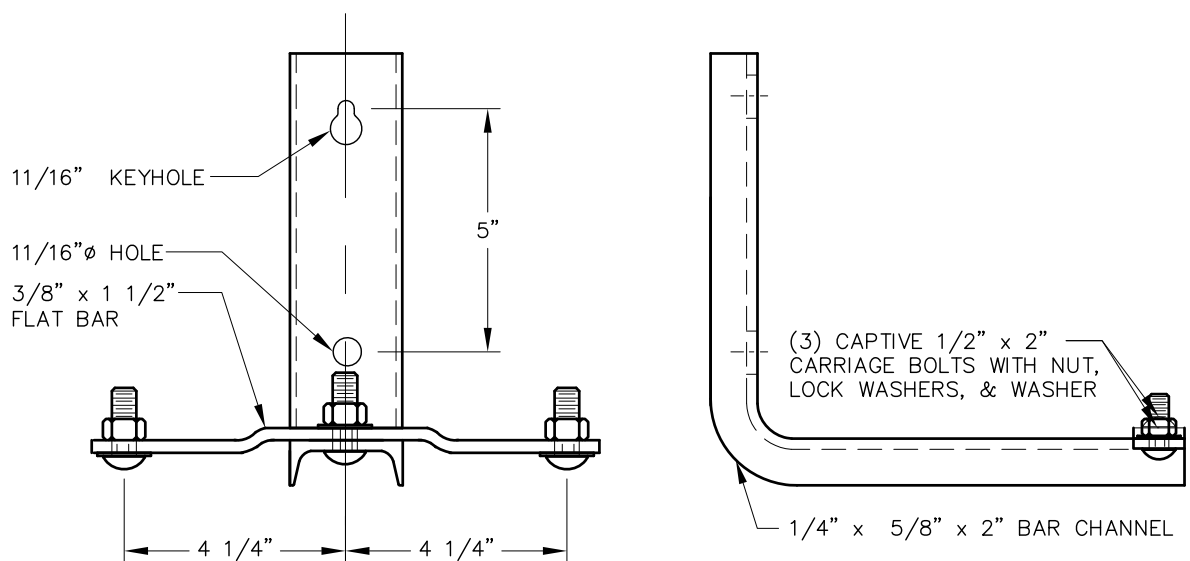
## SINGLE PHASE MOUNT



CATALOG NUMBERS	DIMENSIONS IN (INCHES)		
	L	H	C
AMI-356	12"	8"	3/4"

## SINGLE PHASE MOUNT

MOUNTS TWO PIECES OF EQUIPMENT



CATALOG NO: AMI-1528

SPECIFICATIONS:

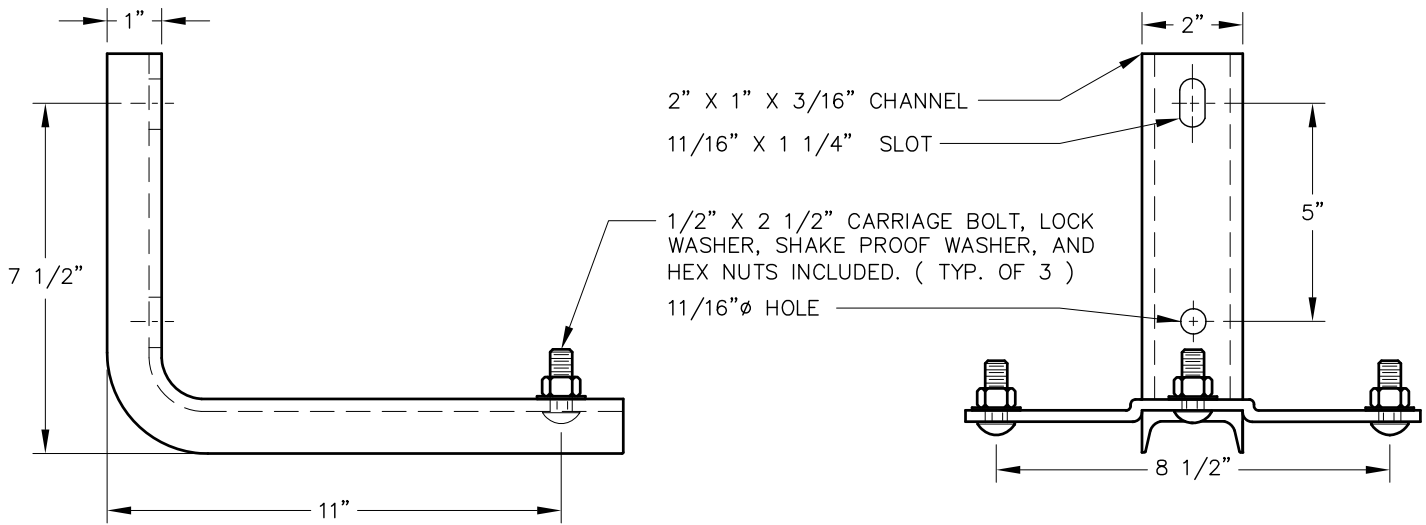
1. HOT DIP GALVANIZED.

# CUTOUT AND ARRESTER BRACKETS

ACTION  
MFG.  
INC.

## SINGLE PHASE MOUNT

CA-2

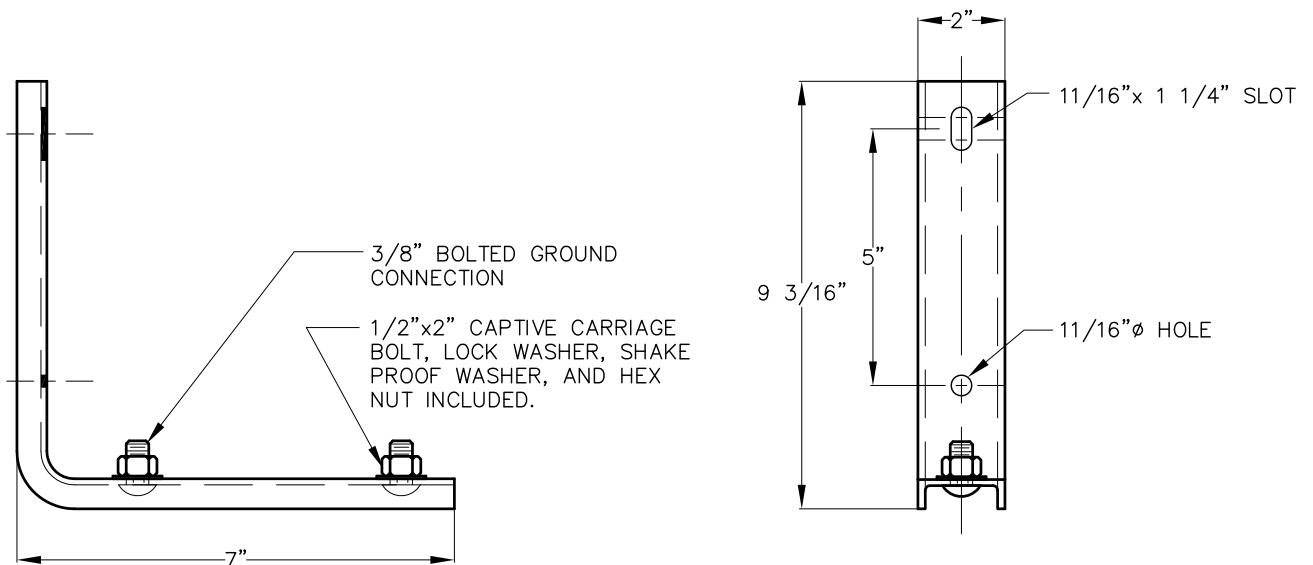


CATALOG NO. AMI-372

### SPECIFICATIONS:

1. HOT DIP GALVANIZED.

## SINGLE PHASE MOUNT



CATALOG NO: AMI-1041

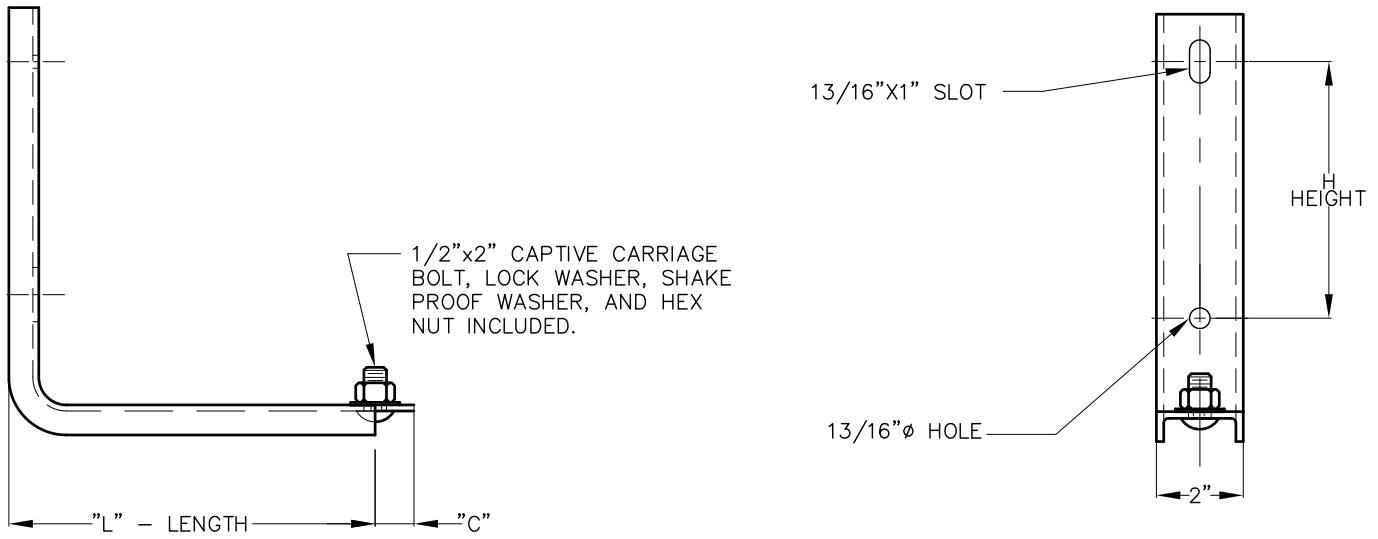
### SPECIFICATIONS

1. MATERIAL: H.R. STEEL
2. FINISH: HOT DIPPED GALVANIZED

# CUTOUT AND ARRESTER BRACKETS

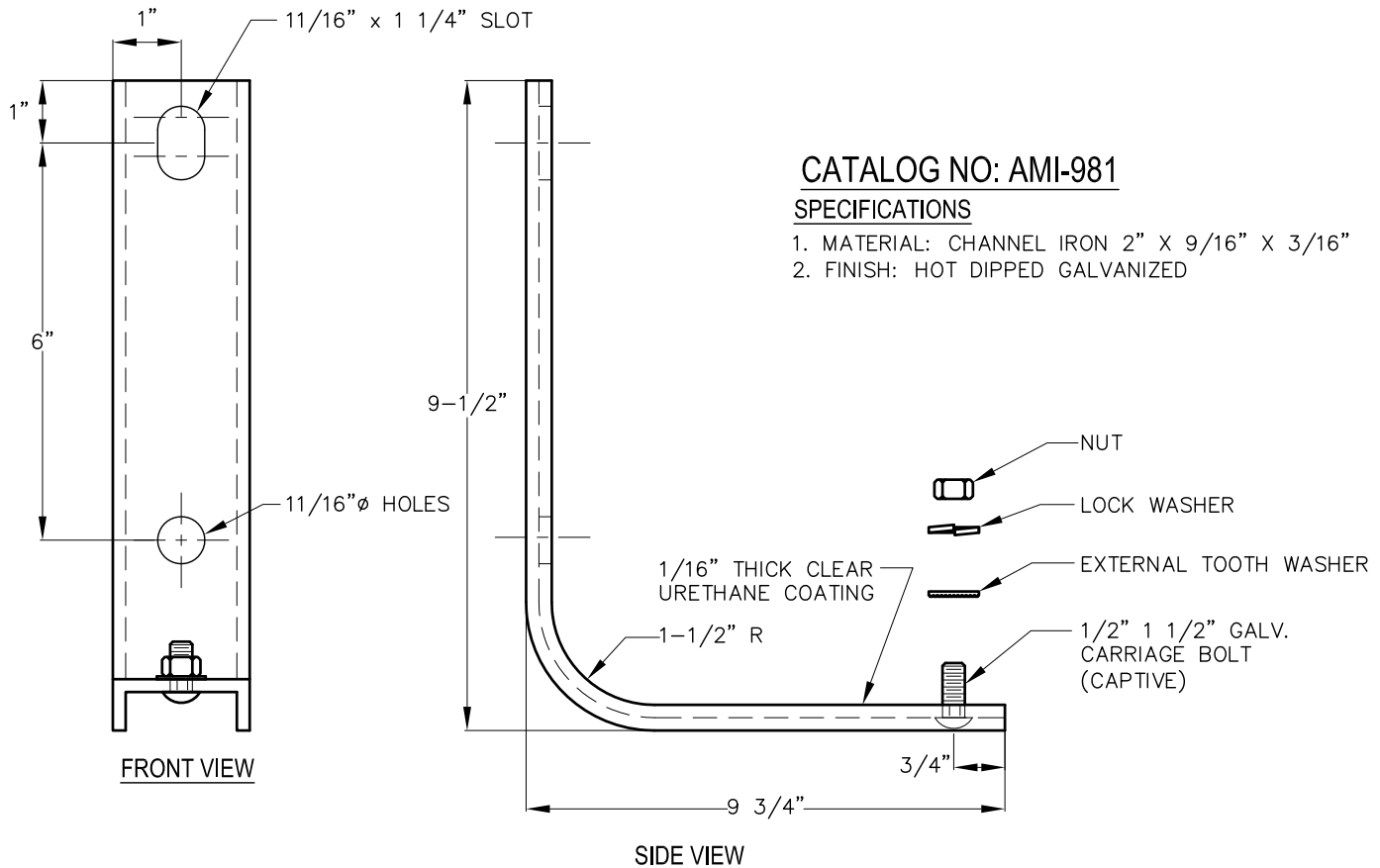
CA-3

## SINGLE PHASE MOUNT FOR MOUNTING 23KVA & 35KVA SYSTEMS



CATALOG NUMBERS	DIMENSIONS IN (INCHES)		
	L	H	C
AMI-353	B	8"	3/4"
AMI-354	12-5/8"	8"	3/4"
AMI-355	B	10"	3/4"
AMI-356	12-5/8"	8"	1"

## SINGLE PHASE MOUNT

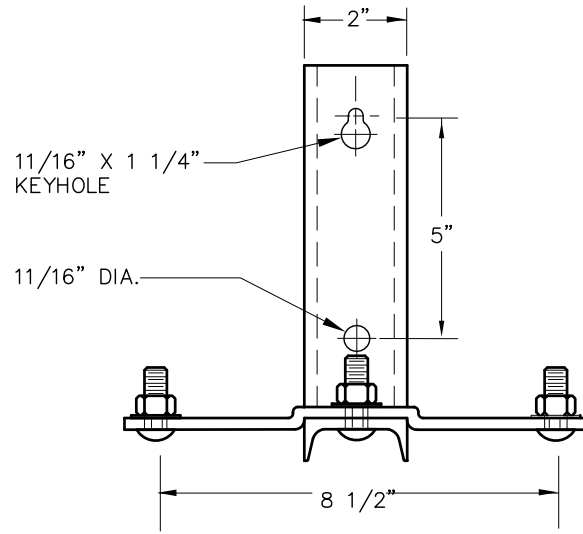
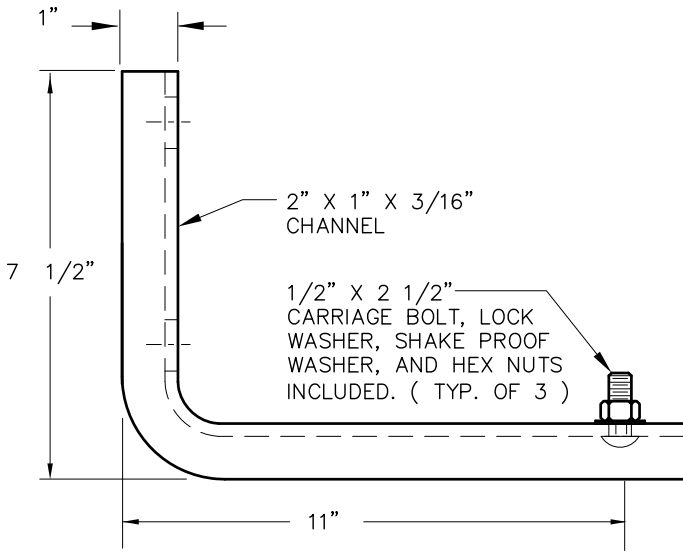


# CUTOUT AND ARRESTER BRACKETS

ACTION  
MFG.  
INC.

## SINGLE PHASE MOUNT

CA-4



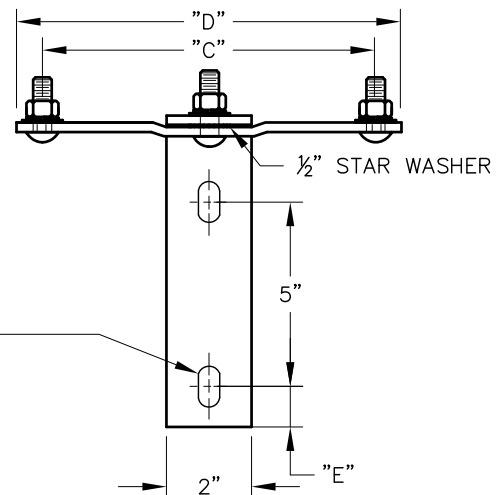
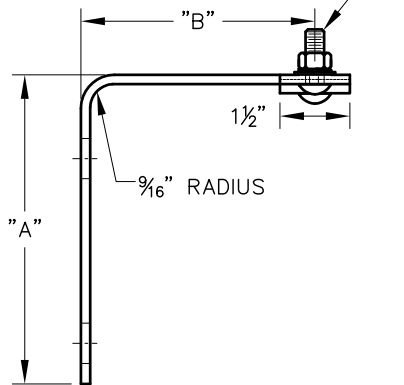
**CATALOG NO: AMI-1141**

### SPECIFICATIONS

- HOT DIP GALVANIZED.

## SINGLE PHASE MOUNT

1/2"x1 1/2" CARRIAGE BOLT, SPLIT  
LOCK WASHER, STAR WASHER AND  
HEX NUT (3 REQUIRED)



### SPECIFICATIONS

MATERIAL:  
BRACKET: ASTM-A-36 STEEL  
HARDWARE: STEEL  
FINISH: HOT-DIP GALV.

NOTE:  
"L" BRACKET TO BE STAMP  
MARKED "AMI" BEFORE  
GALVANIZING.

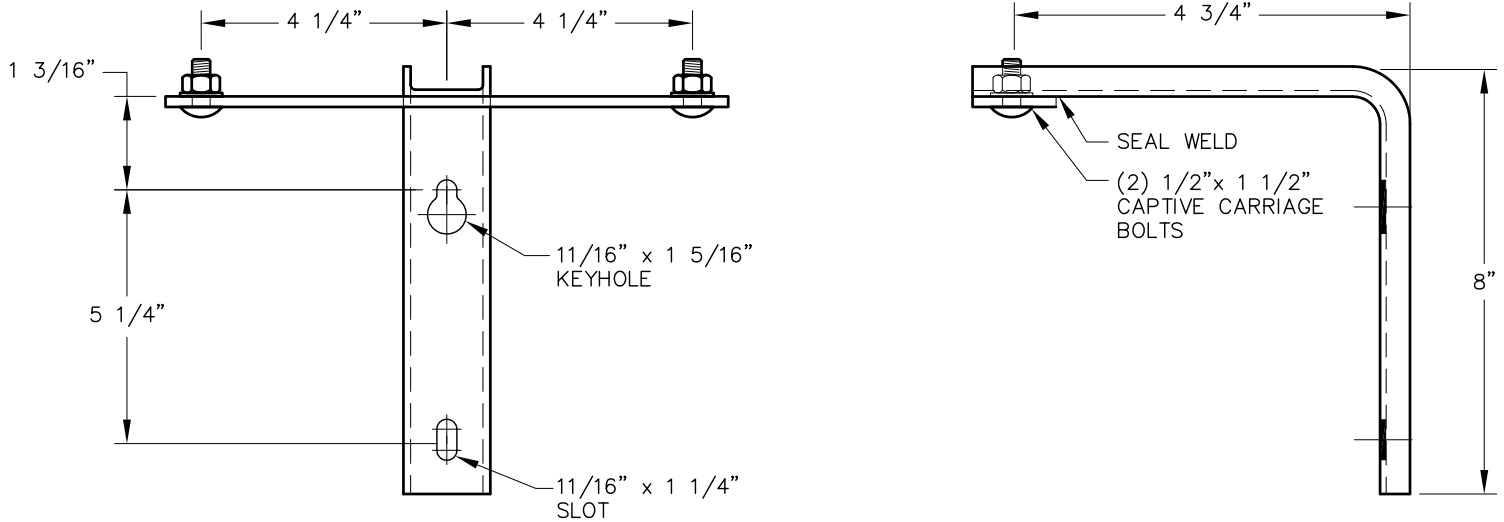
CATALOG NUMBERS	DIMENSIONS IN (INCHES)						
	CODE NUMBER	DESCRIPTION	"A"	"B"	"C"	"D"	"E"
AMI-1578	09-5029-7	15KV T-BRACKET	8"	5 1/2"	8 1/2"	10"	1"
AMI-1579	09-5039-7	15KV BAR	N/A	N/A	8 1/2"	10"	N/A
AMI-1580	09-5027-9	25KV T-BRACKET	10 1/2"	12"	12"	14"	3 1/2"
AMI-1581	N/A	25KV BAR	N/A	N/A	12"	14"	N/A

# CUTOUT AND ARRESTER BRACKETS

CA-5

## SINGLE PHASE MOUNT

CONSTRUCTED OF 3/16" x 9/16" x 2" CHANNEL AND 5/16" x 1 1/2" MOUNTING STRAP.

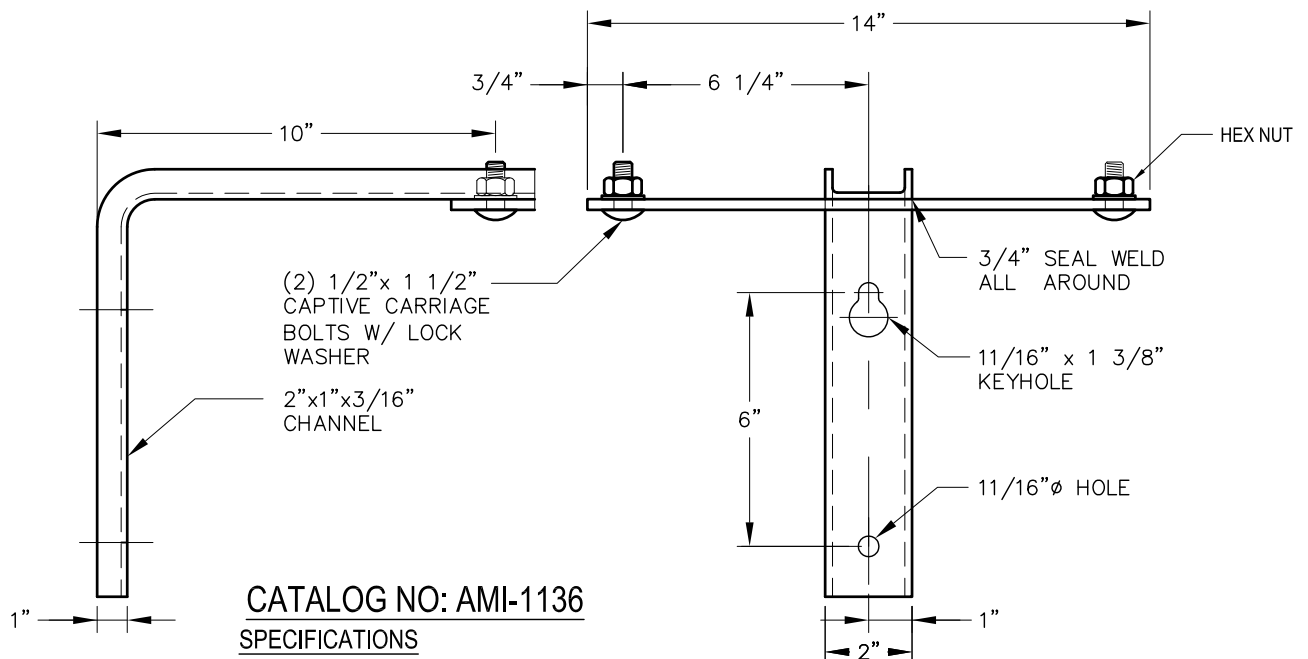


CATALOG NO: AMI-952

### SPECIFICATIONS

1. MATERIAL: H.R. STEEL
2. FINISH: HOT DIPPED GALVANIZED

## SINGLE PHASE MOUNT



CATALOG NO: AMI-1136

### SPECIFICATIONS

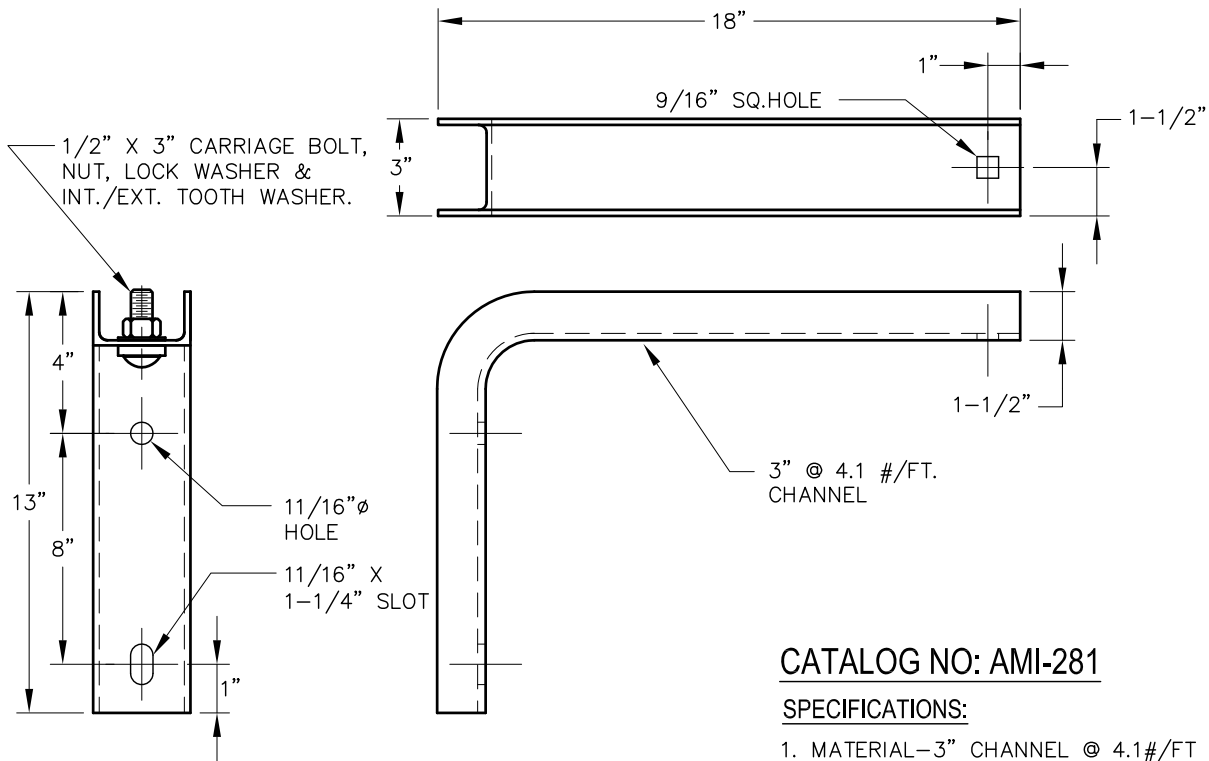
1. HARDWARE: 1/2" x 1 1/2" CAPTIVE CARRIAGE BOLT, SHAKE PROOF WASHER, LOCK WASHER & 1/2" HEX NUT. ALL GALVANIZING TO BE FURNISHED WITH ASSEMBLY
2. FINISH : HOT DIP GALVANIZED PER ASTM-A-153 AFTER FABRICATION

# CUTOUT AND ARRESTER BRACKETS

ACTION  
MFG.  
INC.

## SINGLE PHASE MOUNT

CA-6

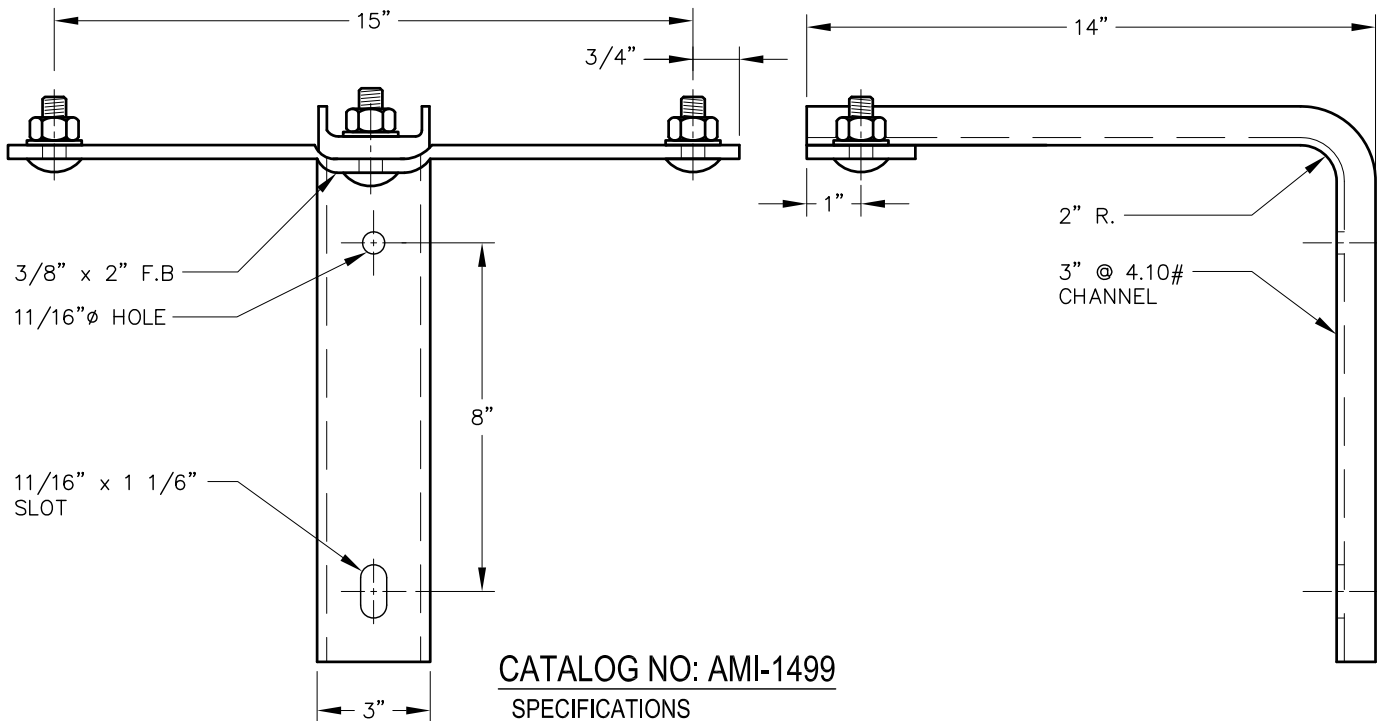


**CATALOG NO: AMI-281**

**SPECIFICATIONS:**

1. MATERIAL-3" CHANNEL @ 4.1#/FT
2. HOT DIP GALVANIZED

## SINGLE PHASE MOUNT



**CATALOG NO: AMI-1499**

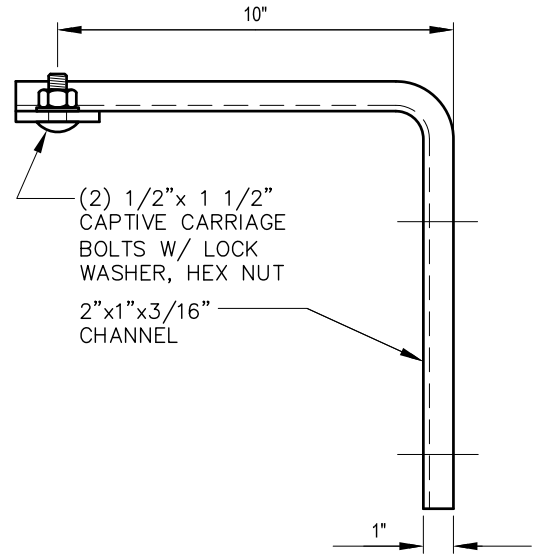
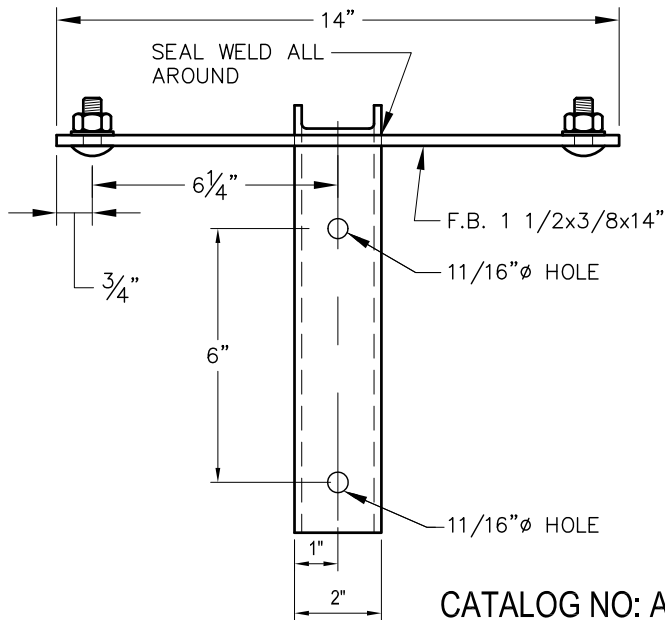
**SPECIFICATIONS**

1. MATERIAL: H.R. STEEL
2. FINISH: HOT DIPPED GALVANIZED
3. HARDWARE: (2) 1/2" x 2" CAPTIVE BOLTS, SHAKE PROOF WASHERS, LOCK WASHERS, AND HEX NUTS.

# CUTOUT AND ARRESTER BRACKETS

CA-7

## SINGLE PHASE MOUNT



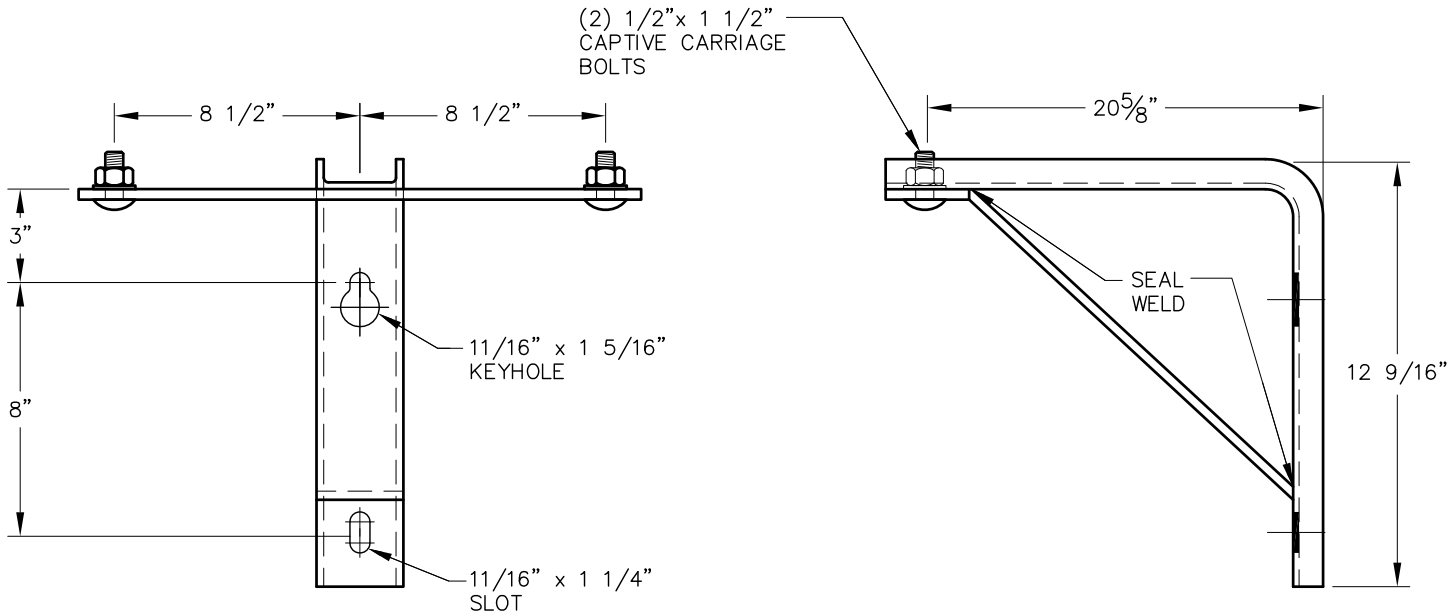
**CATALOG NO: AMI-1153**

### SPECIFICATIONS

1. HARDWARE: 1/2" x 1 1/2" CAPTIVE CARRIAGE BOLT, SHAKE PROOF WASHER, LOCK WASHER & 1/2" HEX NUT. ALL GALVANIZING TO BE FURNISHED WITH ASSEMBLY
2. FINISH : HOT DIP GALVANIZED PER ASTM-A-153 AFTER FABRICATION

## SINGLE PHASE MOUNT

CONSTRUCTED OF 3/16" x 9/16" x 2" CHANNEL AND 3/8" x 1 1/2" MOUNTING STRAP AND 1/4" x 2" BRACE



**CATALOG NO: AMI-951**

### SPECIFICATIONS

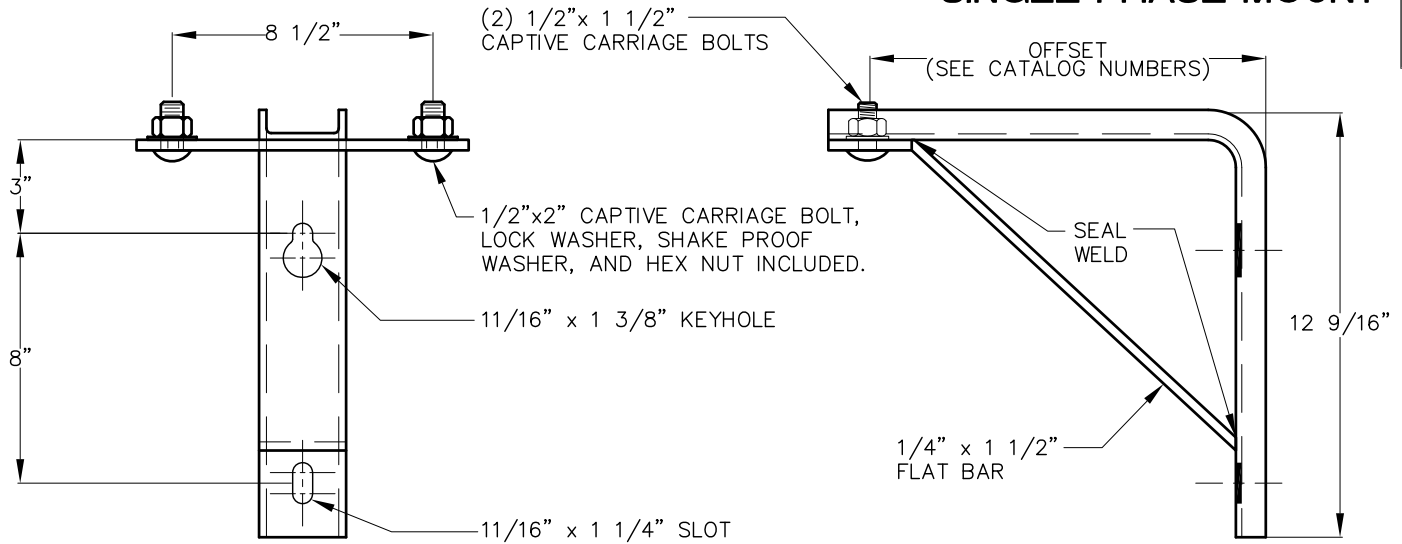
1. MATERIAL: H.R. STEEL
2. FINISH: HOT DIPPED GALVANIZED

# CUTOUT AND ARRESTER BRACKETS

ACTION  
MFG.  
INC.

CA-8

## SINGLE PHASE MOUNT



CATALOG NO: AMI-1042 (OFFSET=12")

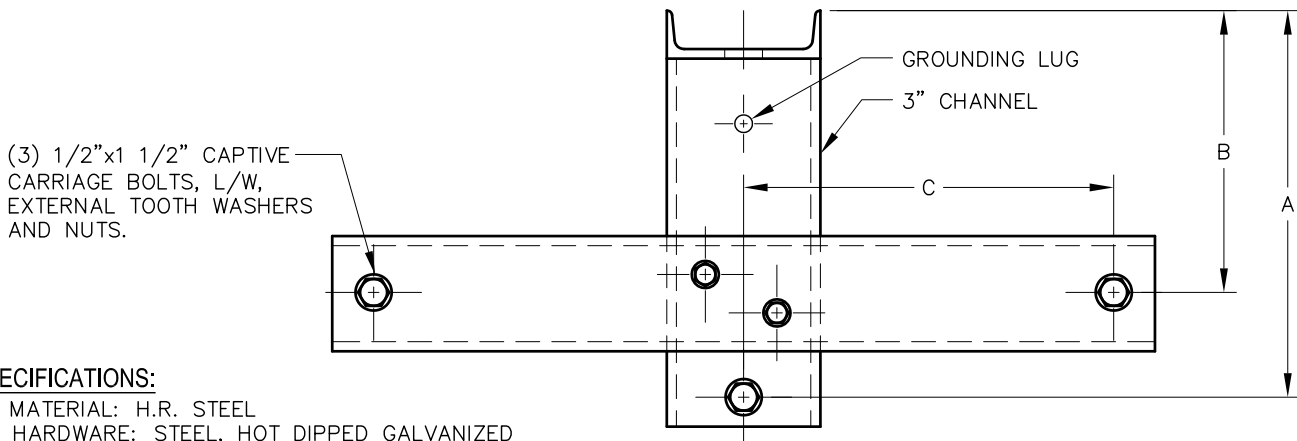
CATALOG NO: AMI-1043 (OFFSET=17 3/4")

CATALOG NO: AMI-1044 (OFFSET=15 1/2")

### SPECIFICATIONS

1. MATERIAL: H.R. STEEL
2. FINISH: HOT DIPPED GALVANIZED

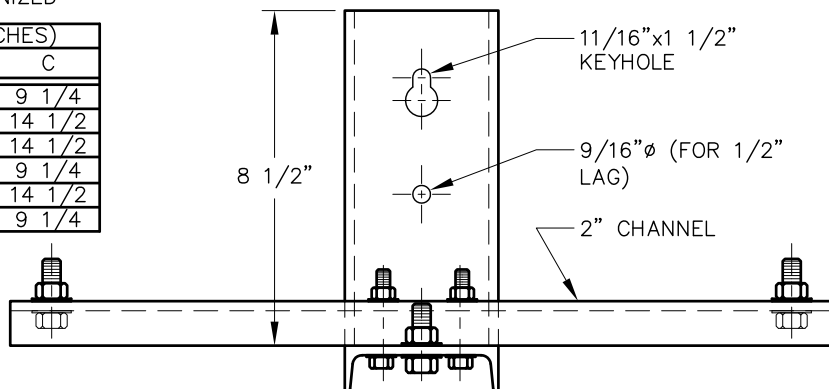
## THREE PHASE TERMINATOR MOUNT



### SPECIFICATIONS:

1. MATERIAL: H.R. STEEL
2. HARDWARE: STEEL, HOT DIPPED GALVANIZED
3. FINISH: HOT DIPPED GALVANIZED

CATALOG NUMBERS	DIMENSIONS IN (INCHES)		
	A	B	C
AMI-953	9 1/2	7 5/8	9 1/4
AMI-1299	9 1/2	7 5/8	14 1/2
AMI-1300	16 1/2	11 1/2	14 1/2
AMI-1301	16 1/2	7	9 1/4
AMI-1302	16 1/2	7	14 1/2
AMI-1303	16 1/2	11 1/2	9 1/4

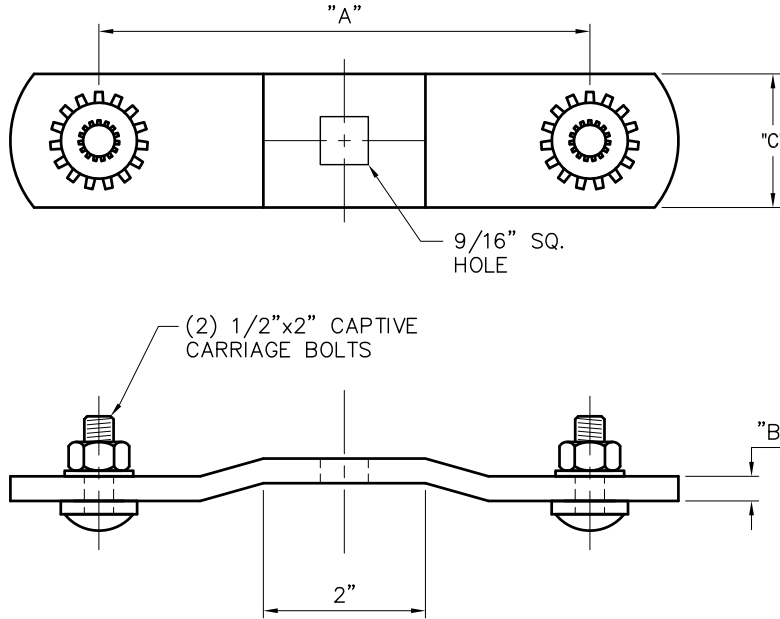


# CUTOUT AND ARRESTER BRACKETS

CA-9

## MOUNTING STRAP

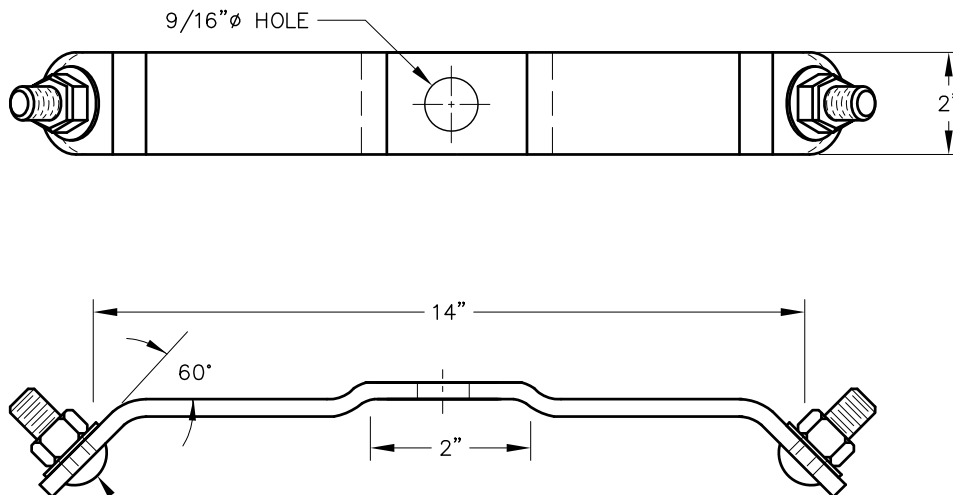
MOUNTS TWO PIECES OF EQUIPMENT TO BE USED WITH OTHER SINGLE PHASE BRACKETS.  
PROVIDES LOCKING ACTION WHEN USED ON 2" WIDE CHANNEL.



CATALOG NUMBERS	DIMENSIONS IN (INCHES)		
	A	B	C
AMI-466	6	3/8	1 1/2
AMI-467	6	3/8	1 3/4
AMI-468	8	3/8	1 1/2
AMI-1115	8 1/2	3/8	1 1/2
AMI-469	9	3/8	1 1/2
AMI-470	9	3/8	2
AMI-471	10	3/8	2
AMI-472	12	3/8	1 3/4
AMI-473	12	3/8	2
AMI-474	12 1/2	3/8	2

## MOUNTING STRAP

MOUNTS TWO PIECES OF EQUIPMENT TO BE USED WITH OTHER SINGLE PHASE BRACKETS.  
PROVIDES LOCKING ACTION WHEN USED ON 2" WIDE CHANNEL.



1 1/2" X 1 1/2" CAPTIVE  
CARRIAGE BOLTS, LOCK  
WASHER, EXTERNAL TOOTH  
WASHER & HEX NUT.

### CATALOG NO: AMI-373

#### SPECIFICATIONS

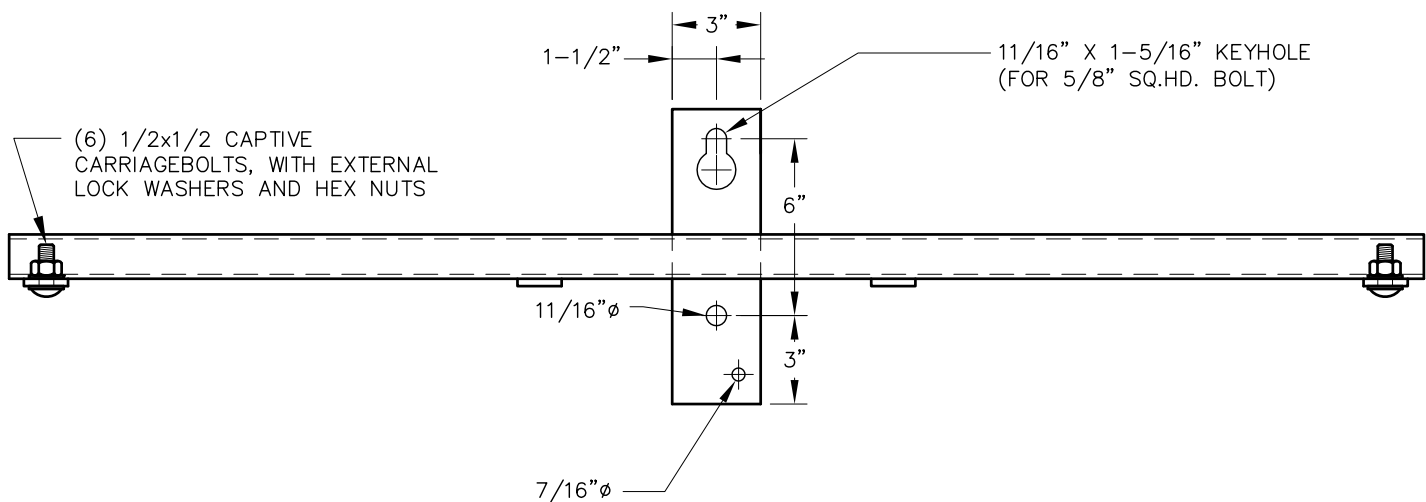
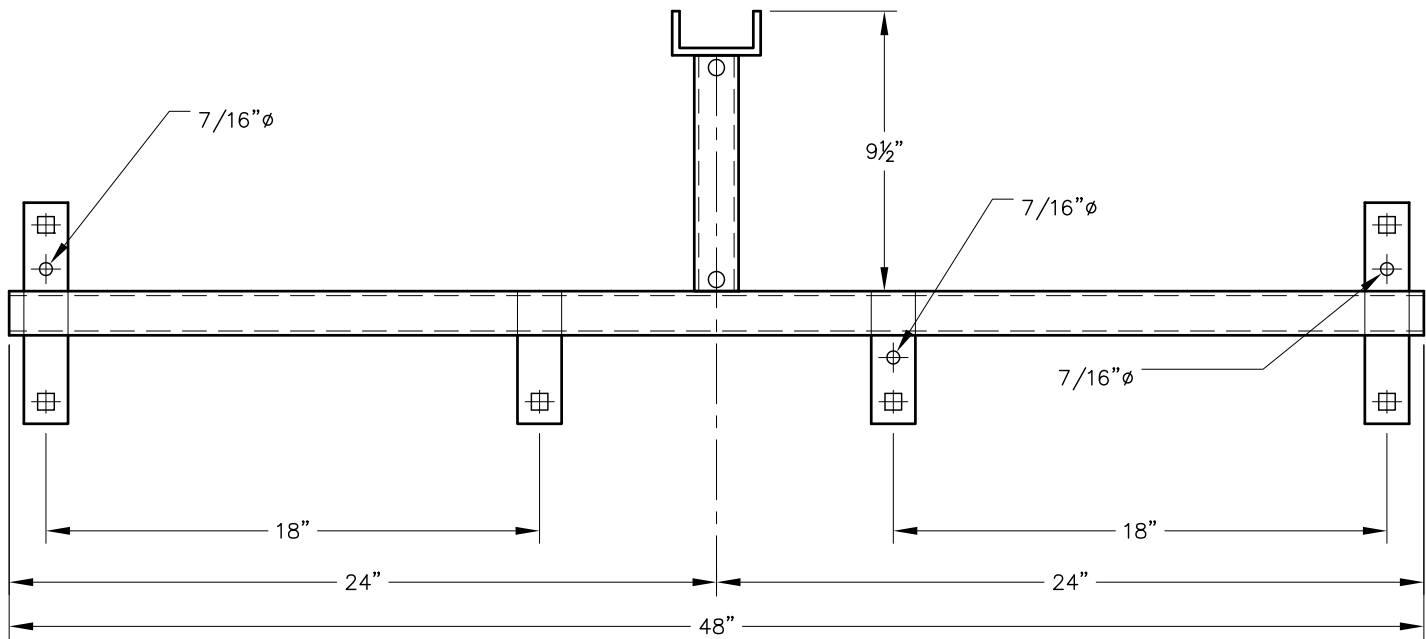
1. HOT DIP GALVANIZED.
2. MATERIAL: 1/4" X 1/2" H.R. STEEL BAR

# CUTOUT AND ARRESTER BRACKETS

ACTION  
MFG.  
INC.

## EQUIPMENT MOUNTING BRACKET

CA-10



### CATALOG NO: AMI-490

#### SPECIFICATIONS

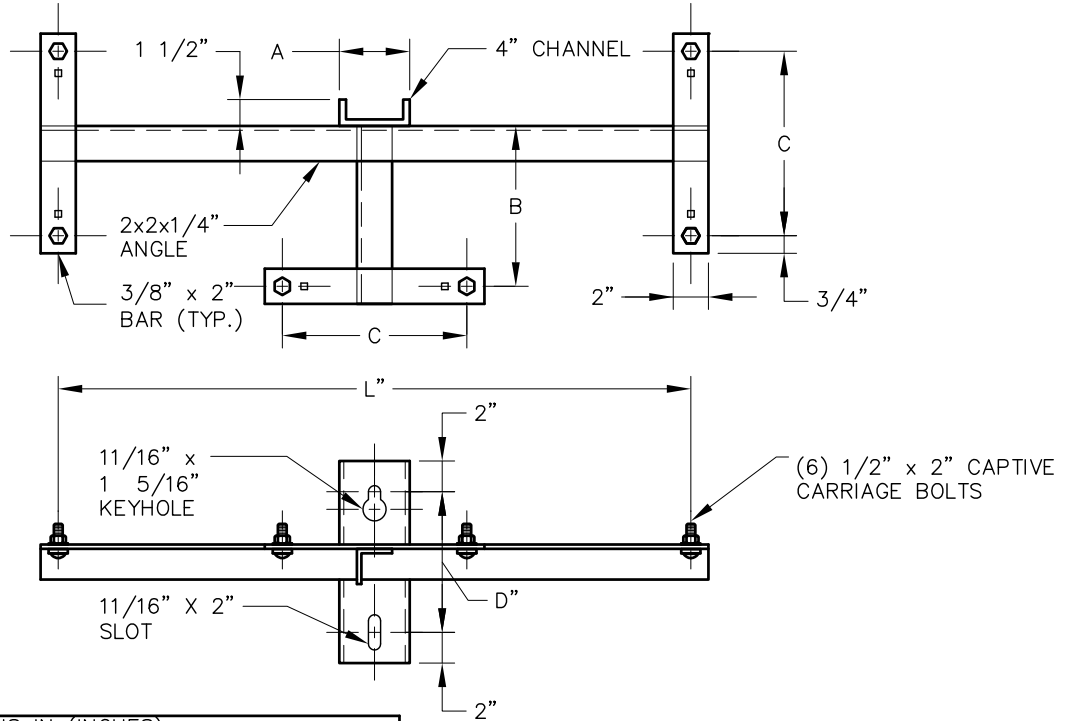
1. MATERIAL—STRUCTURAL STEEL
2. HOT DIP GALVANIZED PER ASTM—A153 AFTER FABRICATION
3. ALL WELDS TO BE SOLID AND SEALED W 3/16" FILLET
4. CATALOG NUMBER AMI—490
5. ALL SQ.HOLES 9/16".

# CUTOUT AND ARRESTER BRACKETS

CA-11

## THREE PHASE BRACKET

FOR MOUNTING DISTRIBUTION CUTOUTS, ARRESTERS & TERMINATORS



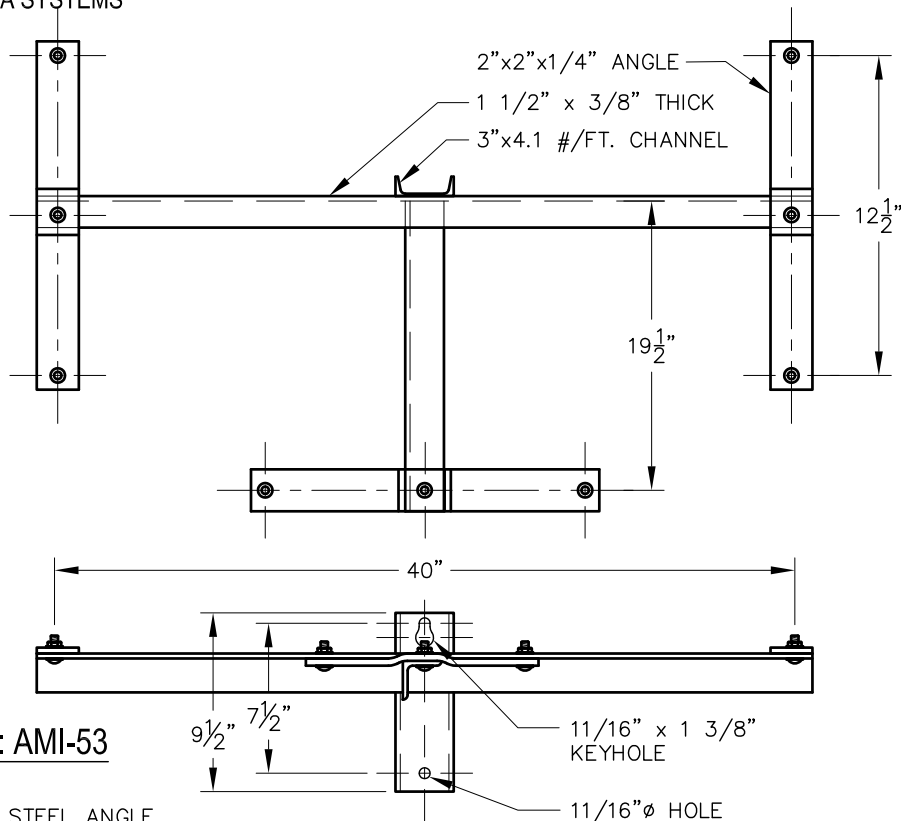
CATALOG NUMBERS	DIMENSIONS IN (INCHES)				
	A	B	C	D	L
AMI-502	4	14 1/4	12 1/2	6	34
AMI-503	4	10 1/8	8 1/2	8	36
AMI-504	4	5 1/8	8 1/2	6	46

### SPECIFICATIONS

MATERIAL: H.R. STEEL  
HARDWARE: STEEL, HOT DIP GALVANIZED  
FINISH: HOT DIP GALVANIZED

## THREE PHASE BRACKET

FOR 4, 12, 13.2 & 15KVA SYSTEMS



CATALOG NO: AMI-53

### SPECIFICATIONS

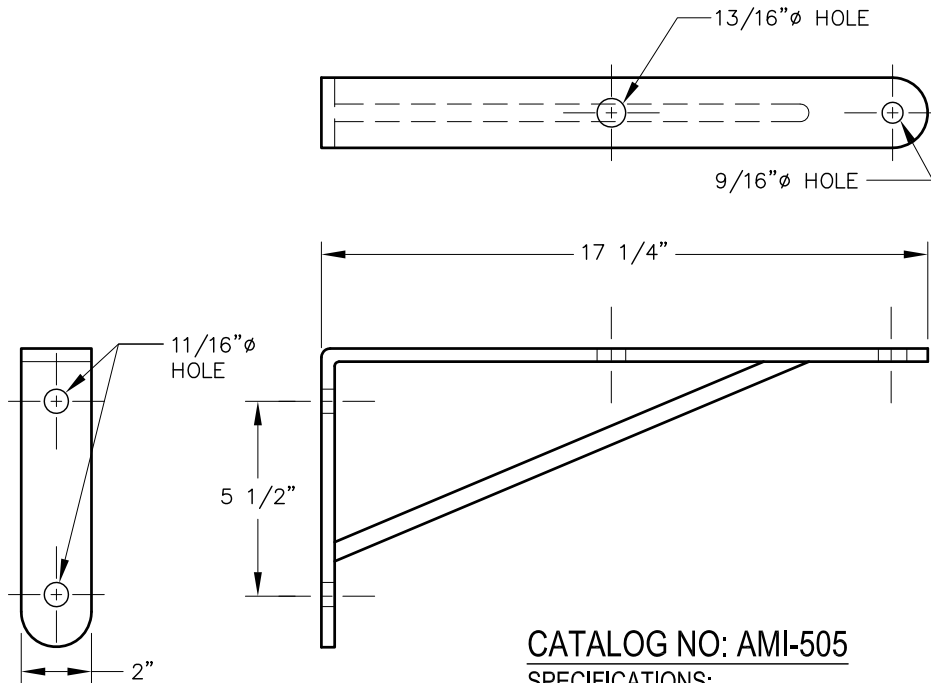
1. MATERIAL: H.R. STEEL ANGLE
2. FINISH: HOT DIPPED GALVANIZED

# CUTOUT AND ARRESTER BRACKETS

ACTION  
MFG.  
INC.

## THREE PHASE BRACKET

CA-12

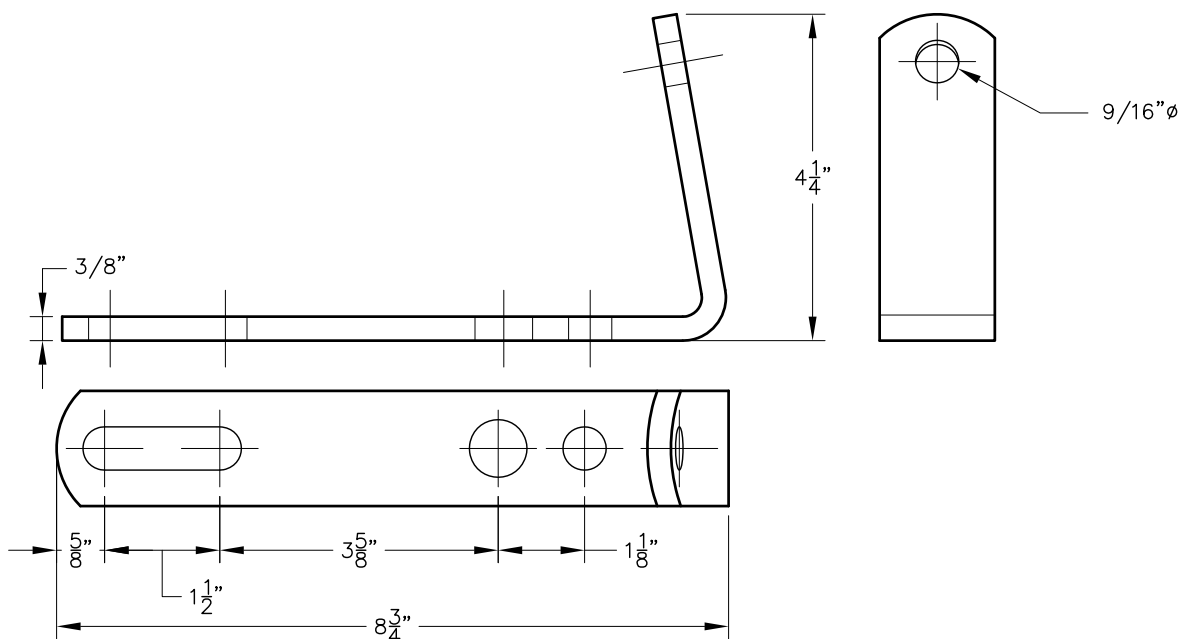


CATALOG NO: AMI-505

SPECIFICATIONS:

MATERIAL: H.R. STEEL  
FINISH: HOT DIP GALVANIZED

## POLE MOUNTED SINGLE PHASE BRACKET



CATALOG NO: AMI-980

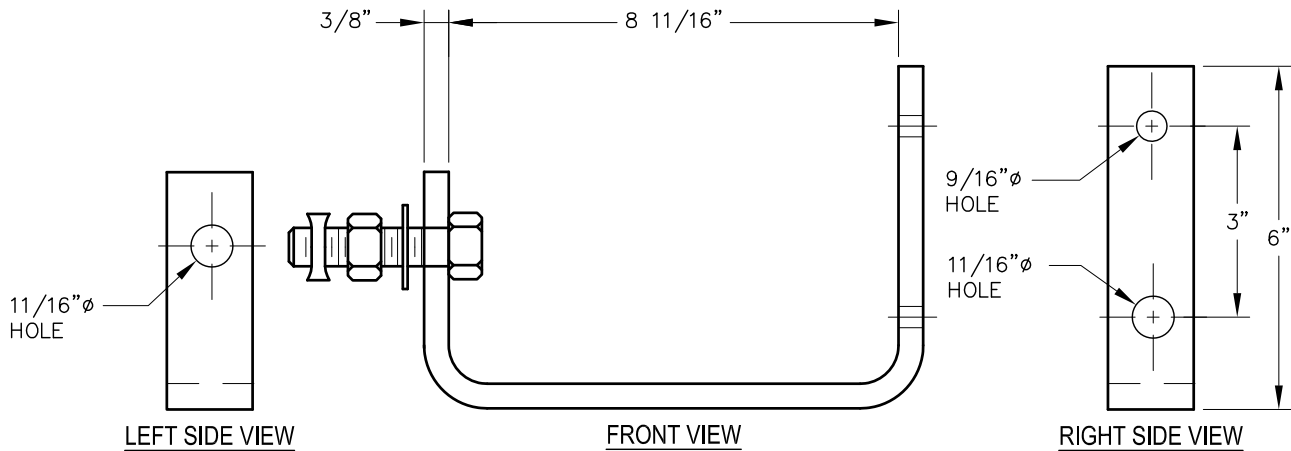
SPECIFICATIONS

1. MATERIAL:  $5/6"$  x  $1 \frac{1}{2}"$  F.B.
2. FINISH: HOT DIPPED GALVANIZED

# CUTOUT AND ARRESTER BRACKETS

CA-13

## SECONDARY RACK EXTENSION BRACKET

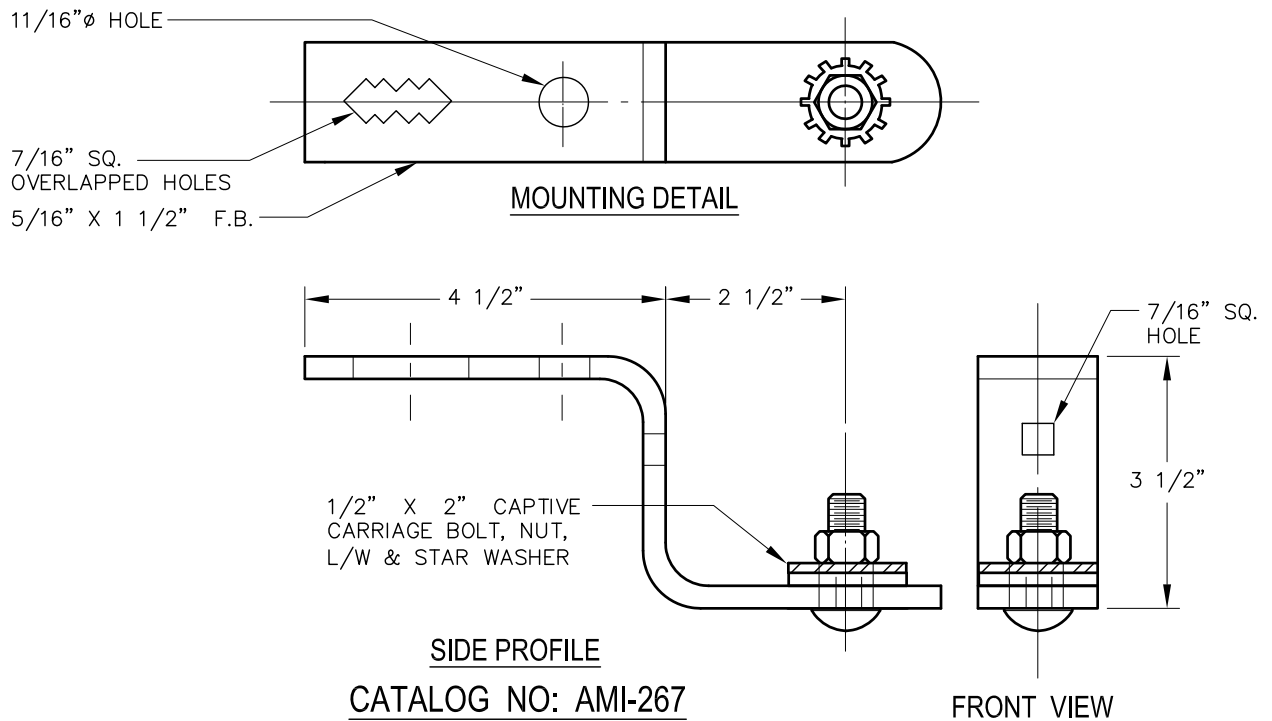


CATALOG NO: AMI-1500

**NOTES:**

1. FINISH: HOT DIP GALVANIZED  
OR LATEST REVISION AFTER FABRICATION
2. BOLT ASSEMBLY:  
(1)  $5/8"$ - $11 \times 2$ - $1/2"$  UNC CLASS 2B

## BACKSTRAP



CATALOG NO: AMI-267  
SPECIFICATIONS:

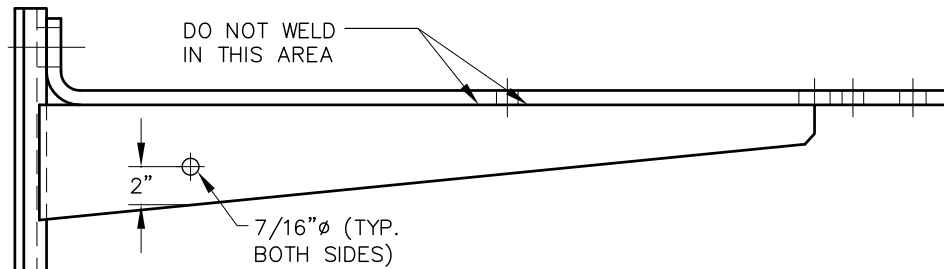
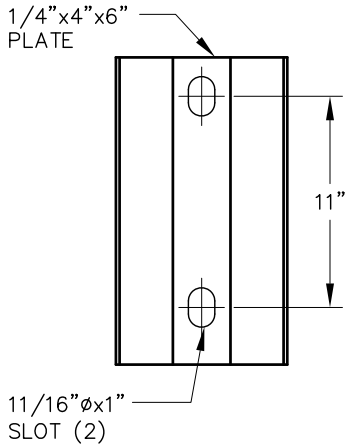
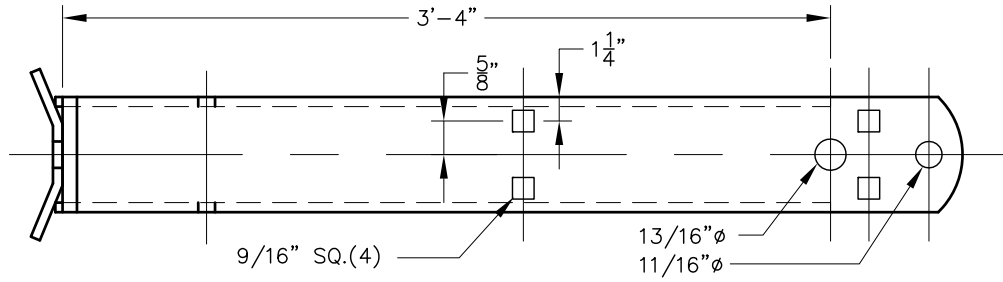
MATERIAL -  $5/16"$  HR STEEL  
FINISH - HOT DIP GALVANIZED

# CUTOUT AND ARRESTER BRACKETS

ACTION  
MFG.  
INC.

## CUTOUT AND ARRESTER BRACKET

CA-14

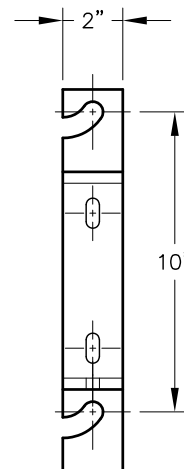
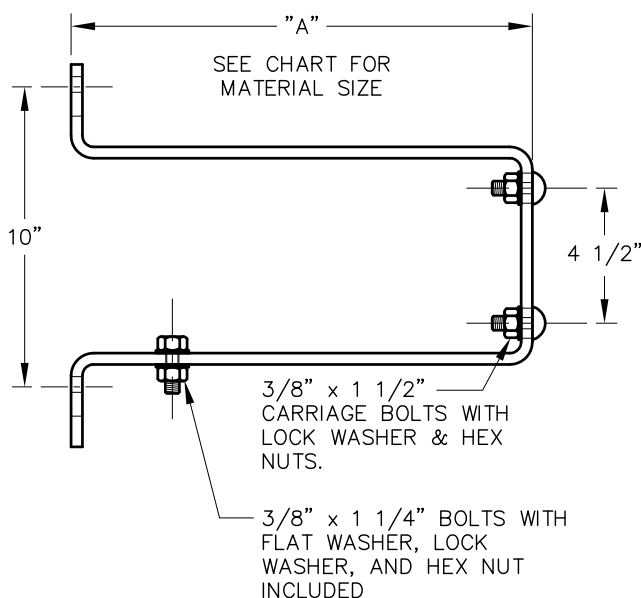


CATALOG NO: AMI-396

### SPECIFICATIONS

1. MATERIAL: MILD STEEL
2. FINISH: HOT DIPPED GALVANIZED

## CUTOUT AND ARRESTER BRACKET

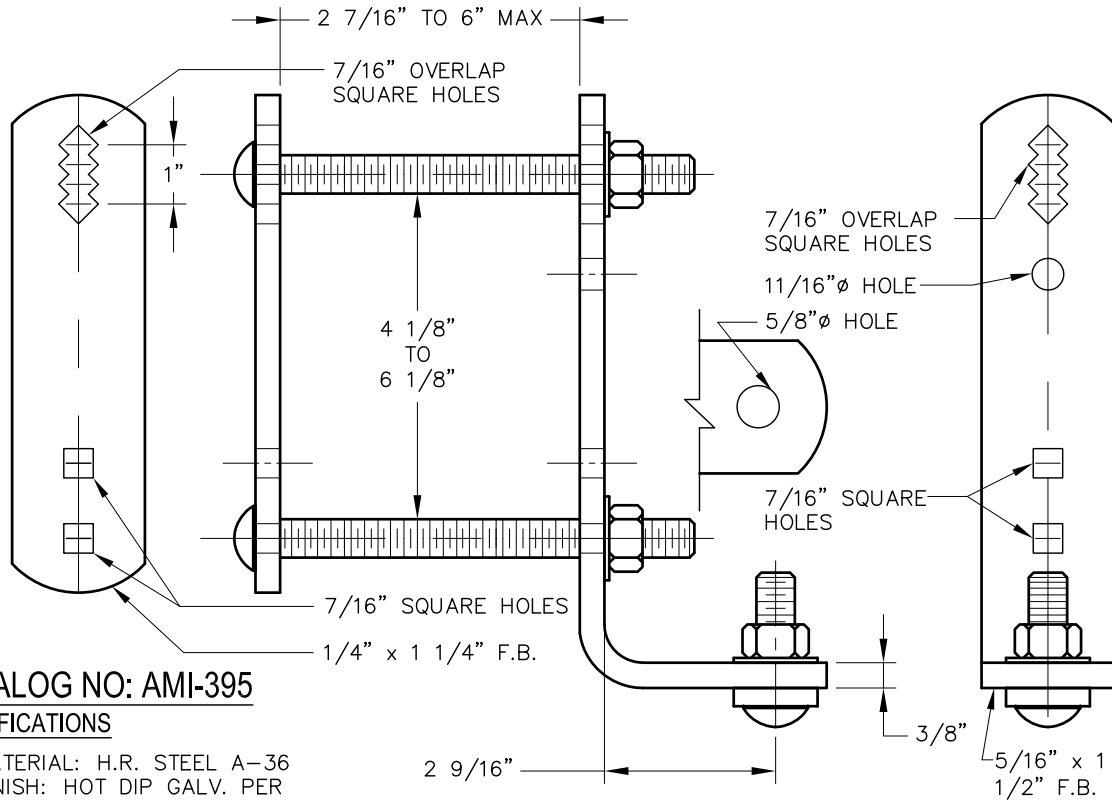


CATALOG NUMBERS	DIMENSIONS IN (INCHES)	
	MATERIAL SIZE	A
AMI-1010	1/4" x 2" FLAT BAR	7 1/4
AMI-1011	3/8" x 2" FLAT BAR	11 3/8
AMI-1012	3/8" x 2" FLAT BAR	15 3/8

# CUTOUT AND ARRESTER BRACKETS

CA-15

## CROSSARM MOUNT

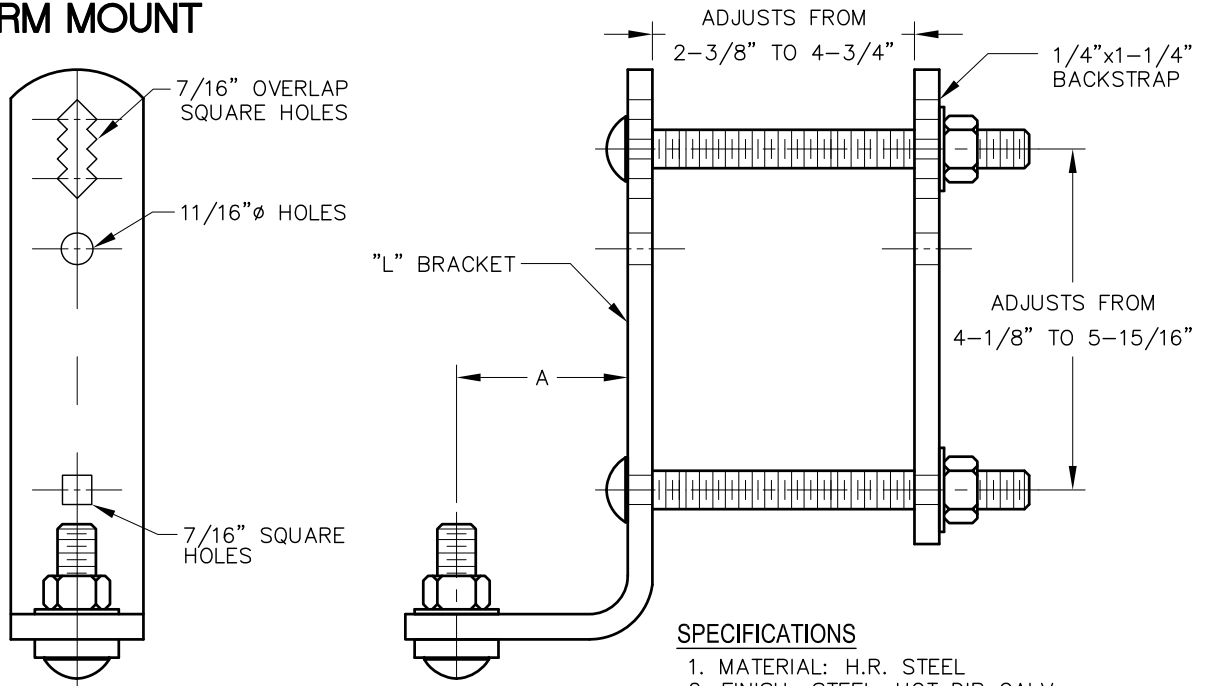


CATALOG NO: AMI-395

**SPECIFICATIONS**

1. MATERIAL: H.R. STEEL A-36
2. FINISH: HOT DIP GALV. PER
3. HARDWARE: (1) 1 1/2" x 2" CARRIAGE BOLT, INT./EXT TOOTH WASHER, LOCK WASHER, AND HEX NUT. (2) 3/8" x 7" CARRIAGE BOLTS, FLAT WASHERS AND HEX NUTS

## CROSSARM MOUNT



**NOTES**

1. UNITS ARE FURNISHED COMPLETE W/ (2) 3/8" x 5" CARRIAGE BOLTS, NUTS, WASHERS & (1) 1/2"x1-1/2" CAPTIVE CARRIAGE BOLT, WITH NUT, LOCK WASHER & SHAKE PROOF WASHER.
2. ASSEMBLY DIMENSIONS ARE ADJUSTABLE TO ACCOMMODATE VARIOUS CROSSARM SIZES. FOR CROSSARMS LONGER THAN 4" SPECIFY LONGER BOLT SIZE.
3. BOLT MAY BE REVERSED ON THE JOB IF BRACKET IS MOUNTED INVERTED.

**SPECIFICATIONS**

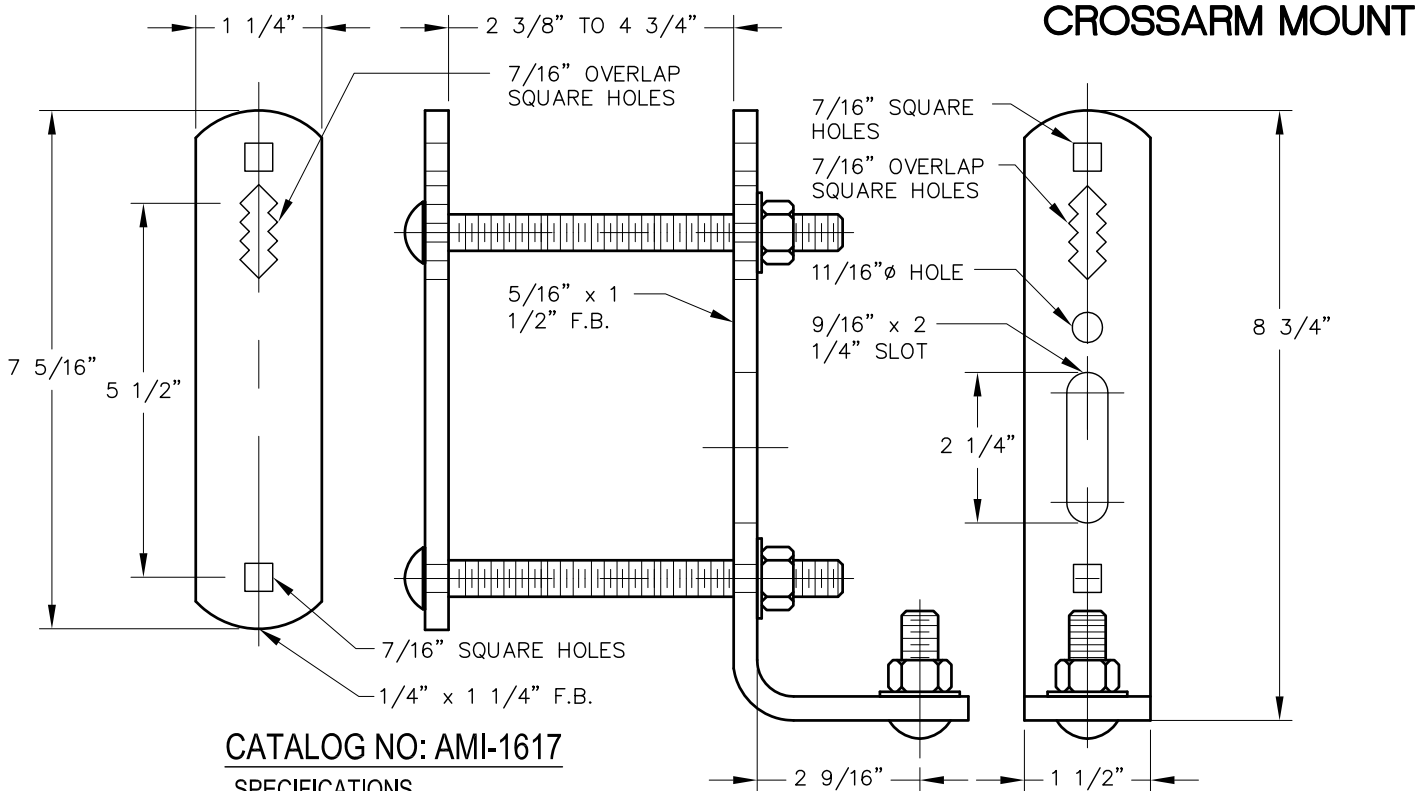
1. MATERIAL: H.R. STEEL
2. FINISH: STEEL, HOT DIP GALV.
3. HARDWARE: HOT DIP GALV.

CATALOG NUMBERS	NAMED TYPE	DIMENSIONS IN (INCHES)	
		"L" BRACKET	A
AMI-1048	TYPE "A"	5/16x1-1/2	2 1/4
AMI-1049	TYPE "B"	3/8x1-1/2	2 1/4
AMI-1050	MODIFIED	3/8x2	4 5/16
AMI-1051	--	3/8x2	3 1/2
AMI-1296	--	5/16x1-1/2	2 9/16

# CUTOUT AND ARRESTER BRACKETS

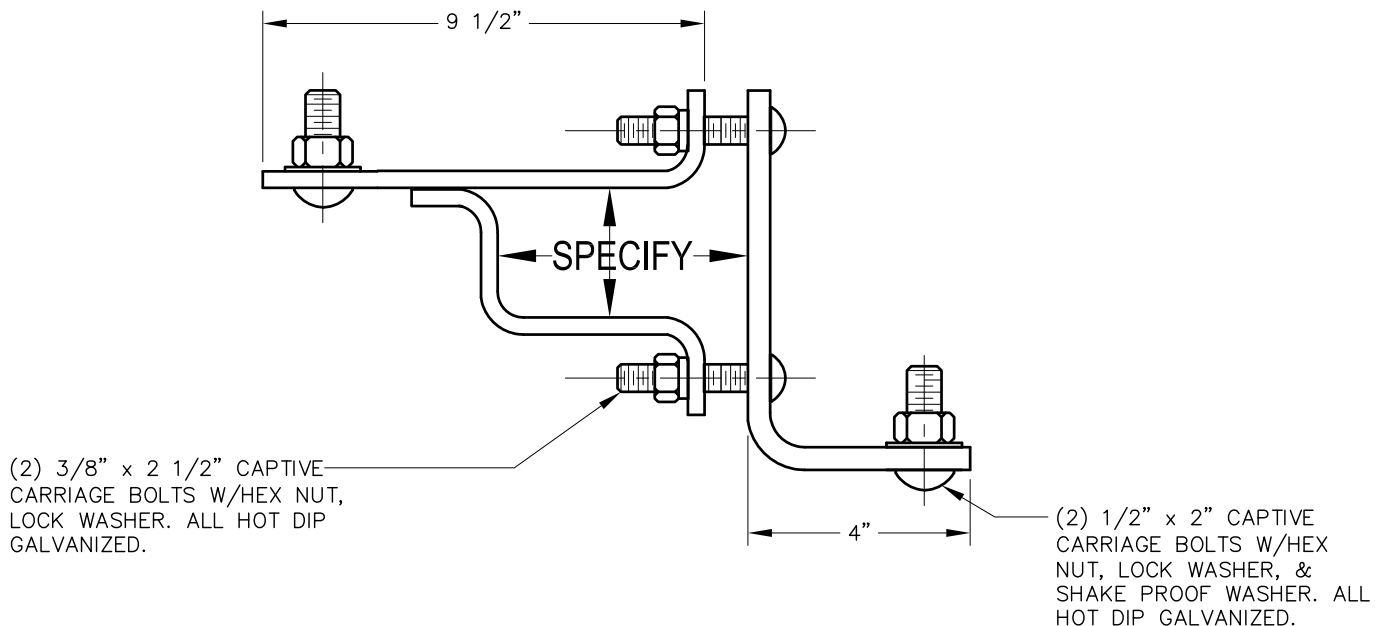
ACTION  
MFG.

CA-16



1. MATERIAL: H.R. STEEL A-36
2. FINISH: HOT DIP GALV.
3. HARDWARE: (1)  $1/2$ "x $2$ " CARRIAGE BOLT, INT./EXT TOOTH WASHER, LOCK WASHER, AND HEX NUT. (2)  $3/8$ "x $6$ " CARRIAGE BOLTS, FLAT WASHERS AND HEX NUTS

## CROSS ARM MOUNT FOR CROSSARMS



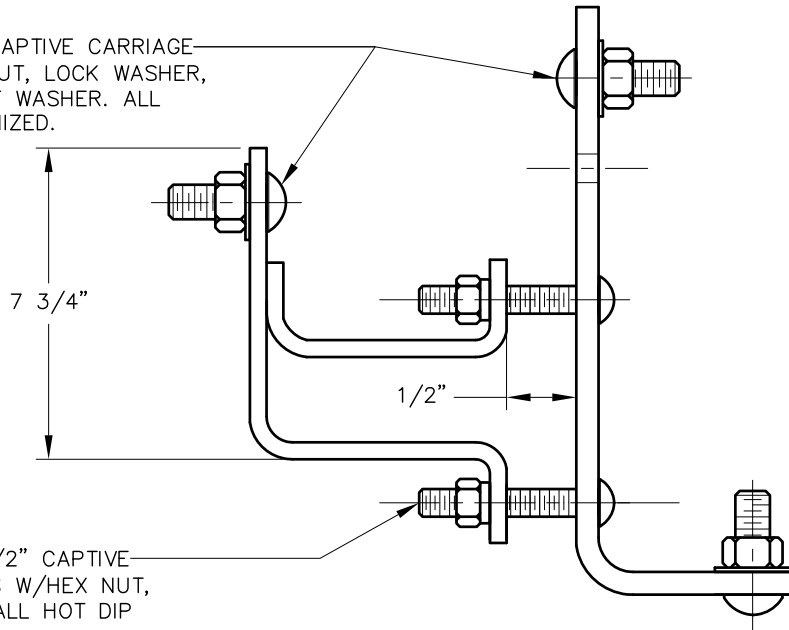
# CUTOUT AND ARRESTER BRACKETS

CA-17

## CROSSARM MOUNT

FOR TUBULAR STEEL CROSSARM - CONSTRUCTED OF 3/16" x 9/16" x 2" CHANNEL AND 5/16" x 1 1/2" MOUNTING STRAP.

(3) 1/2" x 2" CAPTIVE CARRIAGE BOLTS W/HEX NUT, LOCK WASHER, & SHAKE PROOF WASHER. ALL HOT DIP GALVANIZED.



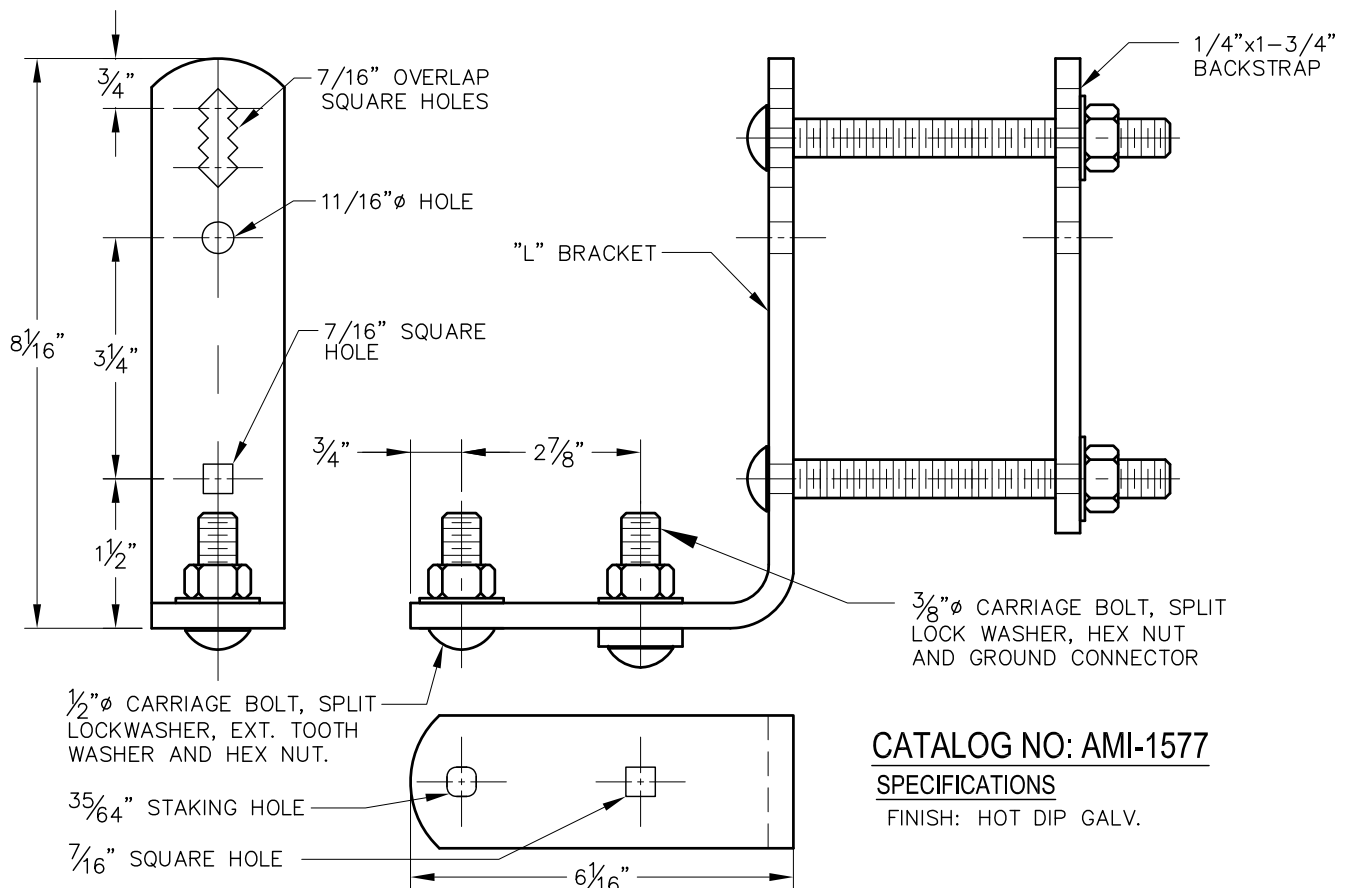
(2) 3/8" x 2 1/2" CAPTIVE CARRIAGE BOLTS W/HEX NUT, LOCK WASHER. ALL HOT DIP GALVANIZED.

CATALOG NO: AMI-1531

**SPECIFICATIONS:**

BRACKET TO BE HOT DIP GALVANIZED AFTER FABRICATION PER ASTM A 153

## CROSSARM MOUNT



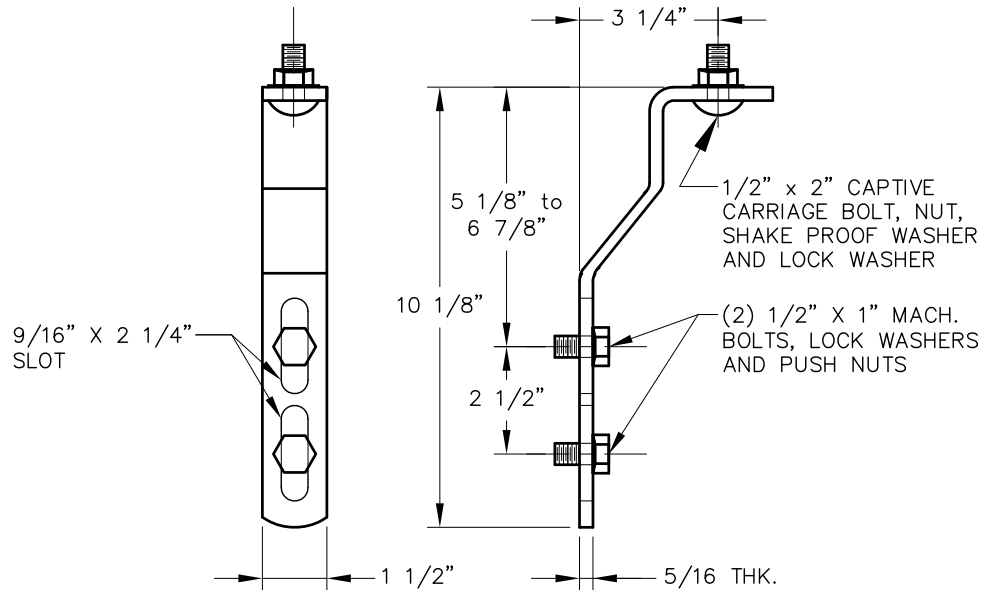
CATALOG NO: AMI-1577

**SPECIFICATIONS**

FINISH: HOT DIP GALV.

## TANK MOUNTED SURGE ARRESTER BRACKET

CA-18



**CATALOG NO: AMI-440**

**SPECIFICATIONS**

1. MATERIAL: A-36 H.R. 5/16"x1 1/4" FLAT BAR
2. FINISH: HOT DIPPED GALVANIZED
3. HARDWARE: (1) 1/2"x2" CAPTIVE CARRIAGE BOLT WITH SHAKE PROOF WASHER AND LOCK WASHER AND (2) 1/2"x1" MACH. BOLTS WITH LOCK WASHERS AND PUSH NUTS



## CANTILEVER STYLE ARMS

### SECTION INDEX

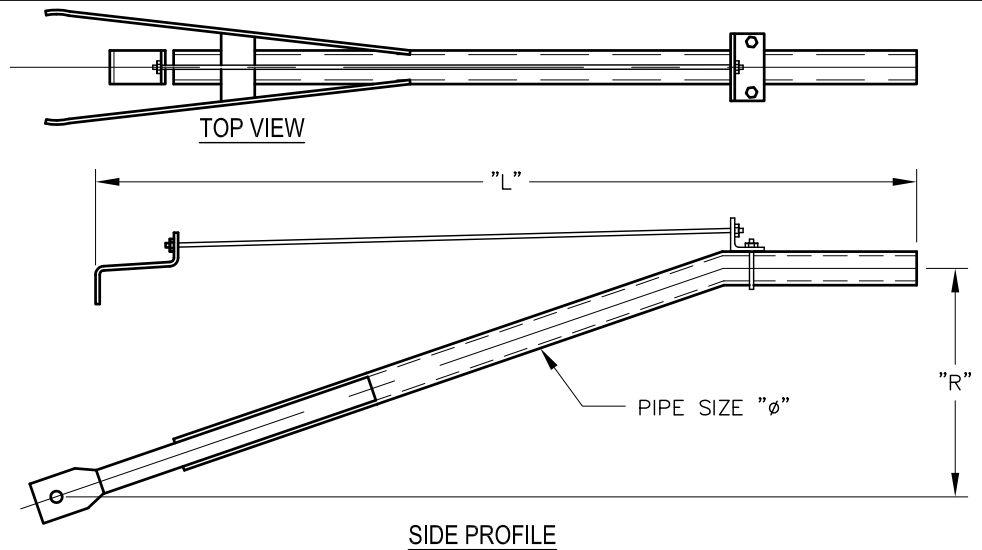
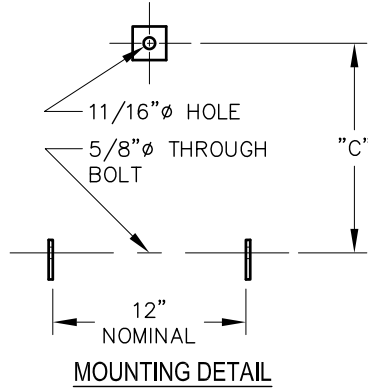
<b>A FRAME MAST ARMS</b> .....	<b>CS-1</b>	<b>CANTILEVER MAST ARMS</b> .....	<b>CS-12</b>
FOR WOOD POLE MOUNTING			
<b>A FRAME MAST ARMS</b> .....	<b>CS-2</b>	<b>CANTILEVER MAST ARMS</b> .....	<b>CS-13</b>
FOR WOOD POLE MOUNTING			
<b>CANTILEVER MAST ARMS</b> .....	<b>CS-2</b>	<b>CANTILEVER MAST ARMS</b> .....	<b>CS-14</b>
FOR WOOD POLE MOUNTING		WITH TOP BRACE SUPPORTS	
<b>CANTILEVER MAST ARMS</b> .....	<b>CS-3</b>	<b>CANTILEVER MAST ARM</b> .....	<b>CS-15</b>
<b>CANTILEVER MAST ARMS</b> .....	<b>CS-4</b>	<b>TRUSS TYPE MAST ARM</b> .....	<b>CS-15</b>
<b>CANTILEVER MAST ARMS</b> .....	<b>CS-5</b>	<b>TRUSS TYPE MAST ARMS</b> .....	<b>CS-16</b>
FOR STEEL OR CONCRETE POLE MOUNTING			
<b>CANTILEVER MAST ARMS</b> .....	<b>CS-6</b>	<b>TRUSS TYPE MAST ARMS</b> .....	<b>CS-17</b>
WITH TOP BRACE SUPPORTS			
<b>CANTILEVER MAST ARMS</b> .....	<b>CS-7</b>	<b>TRUSS TYPE MAST ARMS</b> .....	<b>CS-18</b>
WITH UNDER BRACE SUPPORTS			
<b>CANTILEVER MAST ARMS</b> .....	<b>CS-8</b>	<b>UPSWEEP MAST ARMS</b> .....	<b>CS-19</b>
WITH TOP BRACE SUPPORTS			
<b>CANTILEVER MAST ARMS</b> .....	<b>CS-9</b>	<b>UPSWEEP MAST ARMS</b> .....	<b>CS-20</b>
<b>CANTILEVER MAST ARMS</b> .....	<b>CS-10</b>	<b>UPSWEEP MAST ARMS</b> .....	<b>CS-21</b>
WITH TOP BRACE SUPPORTS			
<b>CANTILEVER MAST ARMS</b> .....	<b>CS-11</b>		

# CANTILEVER STYLE ARMS

## A FRAME MAST ARM

FOR WOOD POLE MOUNTING  
WITH 1 TIE ROD

**CS-1**



**NOTE:**

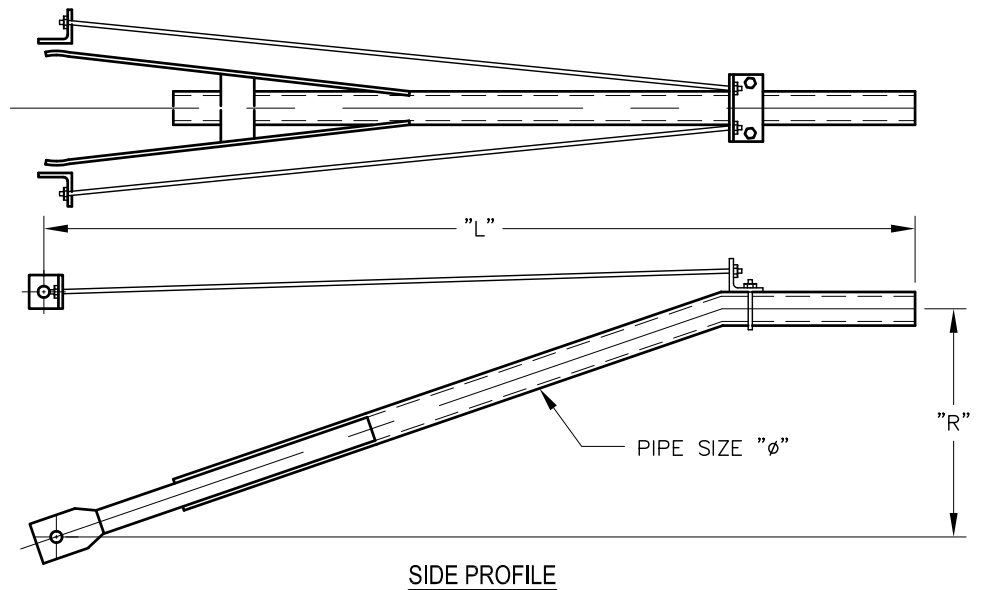
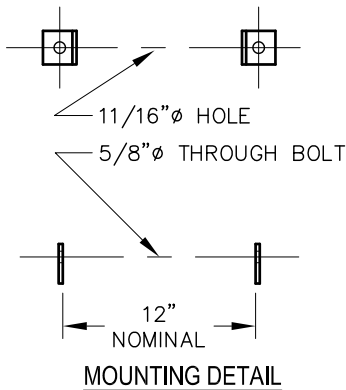
CATALOG NUMBERS SHOWN ARE HOT DIPPED GALVANIZED STEEL FOR ALUMINUM BRACKETS ADD -A SUFFIX. EXAMPLE AMI-XXX-A. PAINTED BRACKETS SUPPLIED ON REQUEST.

CATALOG NUMBERS	DIMENSIONS IN (INCHES)			
	NOMINAL LENGTH "L"	RISE "R"	CENTERLINE LENGTH "C"	PIPE $\phi$
AMI-127	6'-0" (72)	36	18	1 1/4
AMI-128	8'-0" (96)	48	21	1 1/4
AMI-130	10'-0" (120)	60	22	1 1/4
AMI-132	12'-0" (144)	73	22	1 1/4
AMI-134	14'-0" (168)	84	24	1 1/4
AMI-136	16'-0" (192)	72	26	1 1/4
AMI-138	18'-0" (216)	108	26	1 1/4

CATALOG NUMBERS	DIMENSIONS IN (INCHES)			
	NOMINAL LENGTH "L"	RISE "R"	CENTERLINE LENGTH "C"	PIPE $\phi$
AMI-129	8'-0" (96)	48	21	2
AMI-131	10'-0" (120)	60	22	2
AMI-133	12'-0" (144)	73	22	2
AMI-135	14'-0" (168)	84	24	2
AMI-137	16'-0" (192)	72	26	2
AMI-139	18'-0" (216)	108	26	2
AMI-140	20'-0" (240)	114	26	2

## A FRAME MAST ARM

FOR WOOD POLE MOUNTING  
WITH 2 TIE RODS



**NOTE:**

CATALOG NUMBERS SHOWN ARE HOT DIPPED GALVANIZED STEEL FOR ALUMINUM BRACKETS ADD -A SUFFIX. EXAMPLE AMI-XXX-A. PAINTED BRACKETS SUPPLIED ON REQUEST.

CATALOG NUMBERS	DIMENSIONS IN (INCHES)		
	NOMINAL LENGTH "L"	RISE "R"	PIPE $\phi$
AMI-141	12'-0" (144)	40	1 1/4
AMI-143	14'-0" (168)	47	1 1/4
AMI-145	16'-0" (192)	54	1 1/4
AMI-147	18'-0" (216)	62	1 1/4
AMI-149	20'-0" (240)	67	1 1/4

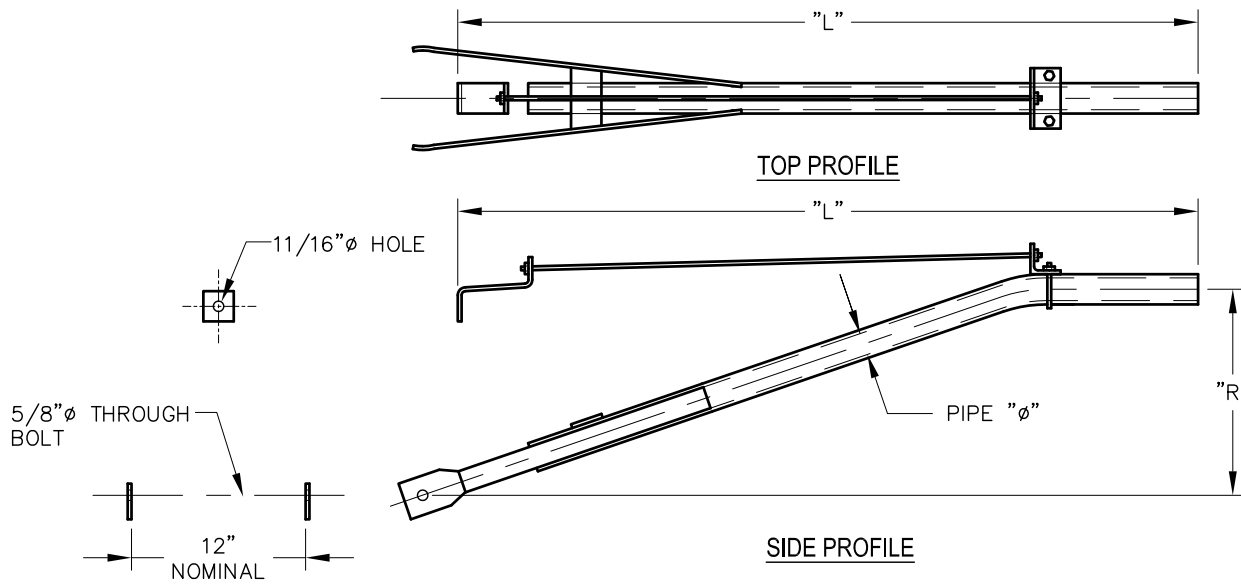
CATALOG NUMBERS	DIMENSIONS IN (INCHES)		
	NOMINAL LENGTH "L"	RISE "R"	PIPE $\phi$
AMI-142	6'-0" (72)	40	2
AMI-144	8'-0" (96)	47	2
AMI-146	10'-0" (120)	54	2
AMI-148	12'-0" (144)	62	2
AMI-150	14'-0" (168)	67	2

# CANTILEVER STYLE ARMS

ACTION  
MFG.  
INC.

## A FRAME MAST ARM FOR WOOD POLE MOUNTING WITH 1 TIE ROD

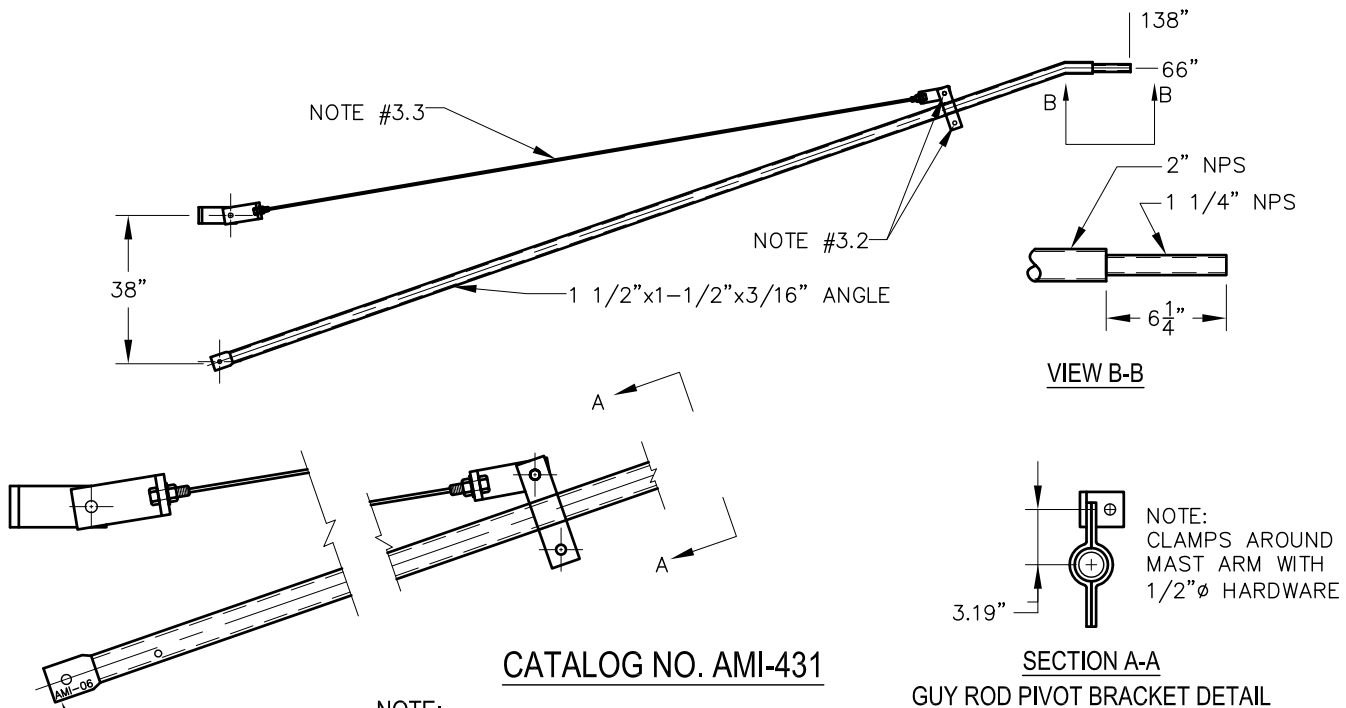
CS-2



**NOTE:**  
CATALOG NUMBERS SHOWN ARE HOT DIPPED GALVANIZED STEEL  
FOR ALUMINUM BRACKETS ADD -A SUFFIX. EXAMPLE AMI-XXX-A.  
PAINTED BRACKETS SUPPLIED ON REQUEST.

CATALOG NUMBERS	DIMENSIONS IN (INCHES)			SHIP WEIGHT
	NOMINAL LENGTH "L"	RISE "R"	PIPE "φ"	
AMI-25	12'-0" (144)	42	2	65lbs.
AMI-30	16'-0" (192)	54	2	81lbs.
AMI-35	20'-0" (240)	66	2	117lbs.

## 2" x 20' A-FRAME MAST ARM WITH 1 1/4" TENON



### CATALOG NO. AMI-431

**NOTE:**

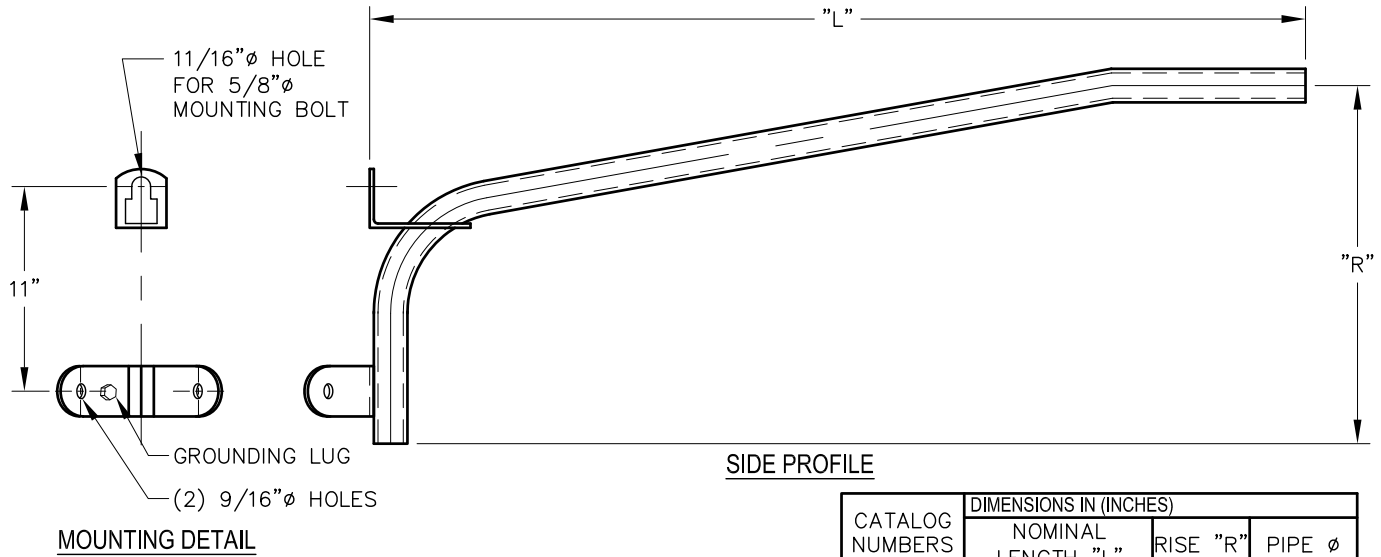
1. MATERIAL: 2.38" O.D. GALV. STEEL TUBE.
2. FINISH: HOT DIP GALV. PER ASTM A-123
3. HARDWARE:
  - 3.1 3/8" x 1 1/4" CARR. BOLT WITH NUT AND LOCK WASHER (GROUNDING PROVISION)
  - 3.2 1/2" x 1 1/2" HEX BOLT WITH NUT AND FLAT WASHER
  - 3.3 1/2" x 192" WITH (6) NUTS (DOUBLE NUT EACH END) AND (4) FLAT WASHERS.
4. APPROXIMATE WEIGHT: 90lbs.

STAMP "AMI-YR"  
EX: AMI-07 PRIOR  
TO GALV.

# CANTILEVER STYLE ARMS

CS-3

## CANTILEVER MAST ARM FOR WOOD POLE MOUNTING

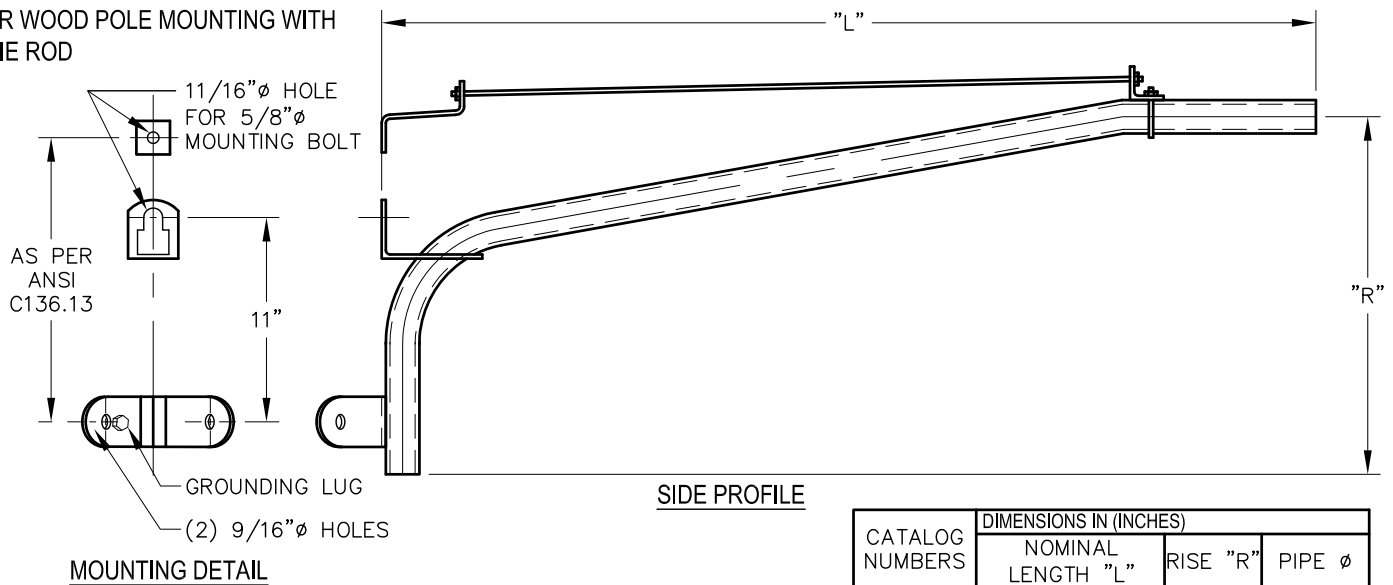


**NOTE:**

CATALOG NUMBERS SHOWN ARE HOT DIPPED GALVANIZED STEEL FOR ALUMINUM BRACKETS ADD -A SUFFIX. EXAMPLE AMI-XXX-A. PAINTED BRACKETS SUPPLIED ON REQUEST.

CATALOG NUMBERS	DIMENSIONS IN (INCHES)		
	NOMINAL LENGTH "L"	RISE "R"	PIPE $\phi$
AMI-585	1'-6" (18)	12	1 1/4
AMI-586	1'-6" (18)	12	2
AMI-100	2'-0" (24)	12	1 1/4
AMI-101	2'-0" (24)	12	2
AMI-587	2'-6" (30)	12	1 1/4
AMI-588	2'-6" (30)	12	2
AMI-102	4'-0" (48)	18	1 1/4
AMI-103	4'-0" (48)	18	2
AMI-104	6'-0" (72)	30	1 1/4
AMI-105	6'-0" (72)	30	2
AMI-106	8'-0" (96)	42	1 1/4
AMI-107	8'-0" (96)	42	2

## CANTILEVER MAST ARM FOR WOOD POLE MOUNTING WITH 1 TIE ROD



**NOTE:**

CATALOG NUMBERS SHOWN ARE HOT DIPPED GALVANIZED STEEL FOR ALUMINUM BRACKETS ADD -A SUFFIX. EXAMPLE AMI-XXX-A. PAINTED BRACKETS SUPPLIED ON REQUEST.

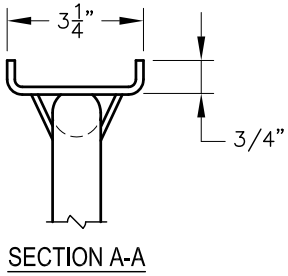
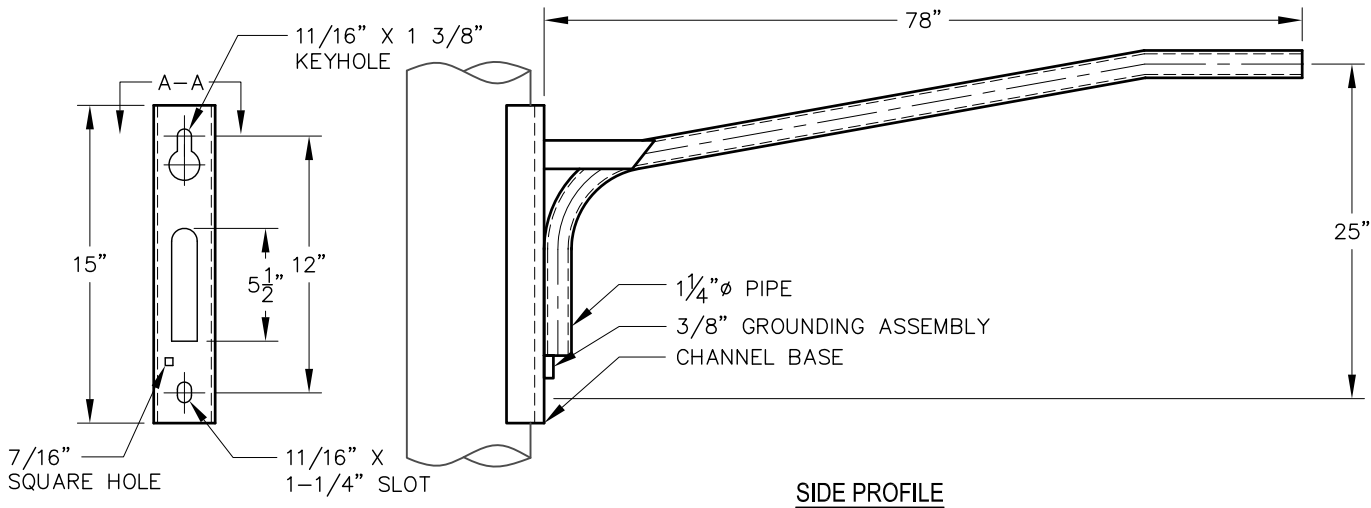
CATALOG NUMBERS	DIMENSIONS IN (INCHES)		
	NOMINAL LENGTH "L"	RISE "R"	PIPE $\phi$
AMI-108	6'-0" (72)	30	1 1/4
AMI-109	6'-0" (72)	30	2
AMI-110	8'-0" (96)	42	1 1/4
AMI-111	8'-0" (96)	42	2
AMI-112	10'-0" (120)	48	1 1/4
AMI-113	10'-0" (120)	48	2
AMI-114	12'-0" (144)	60	1 1/4
AMI-589	12'-0" (144)	60	2
AMI-590	14'-0" (168)	60	2

# CANTILEVER STYLE ARMS

ACTION  
MFG.  
INC.

## CANTILEVER MAST ARM FOR CONCRETE AND STEEL POLE MOUNTING

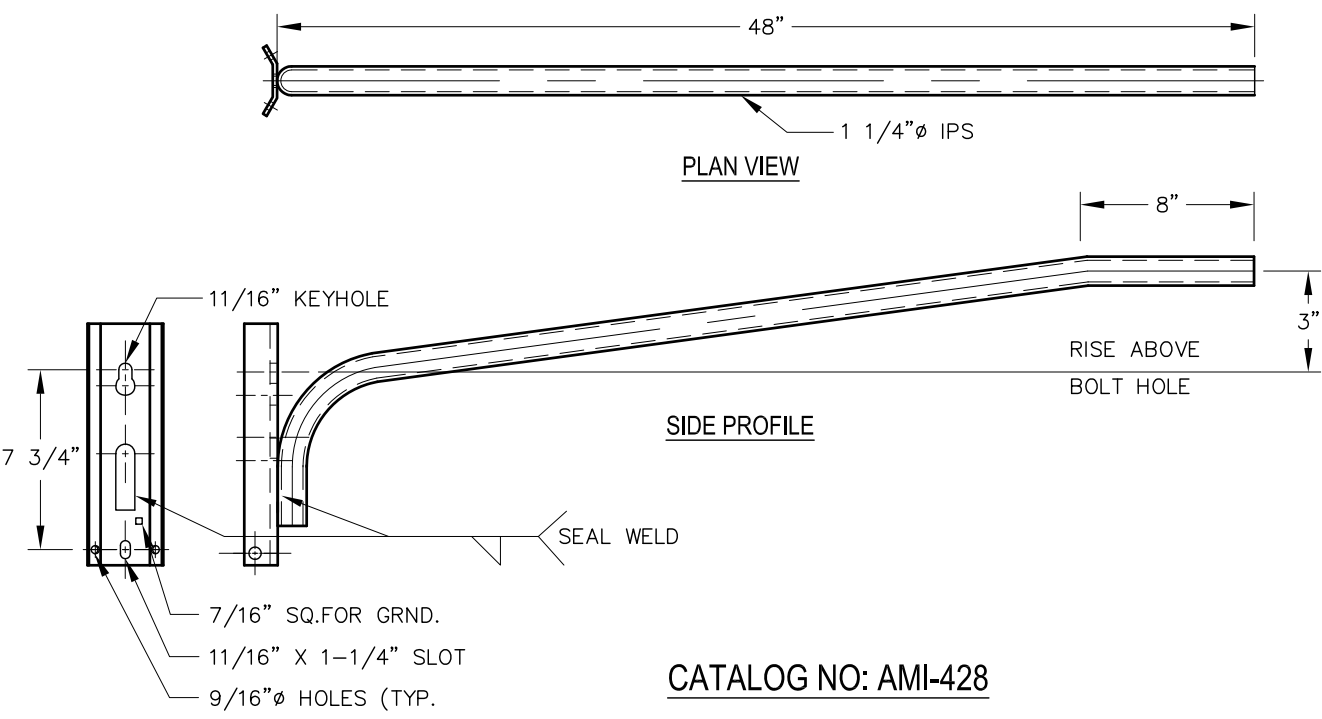
CS-4



**CATALOG NO: AMI-1570**

- NOTE:**
1. CATALOG NUMBERS SHOWN ARE FOR HOT DIPPED GALVANIZED STEEL
  2. FOR ALUMINUM BRACKETS ADD -A SUFFIX, EXAMPLE AMI-XXX-A.
  3. FOR GROUNDING LUG ADD -LG.SUFFIX, EXAMPLE AMI-XXX-LG.
  4. PAINTED BRACKETS SUPPLIED ON REQUEST.

## 4'-0" CANTILEVER MAST ARM

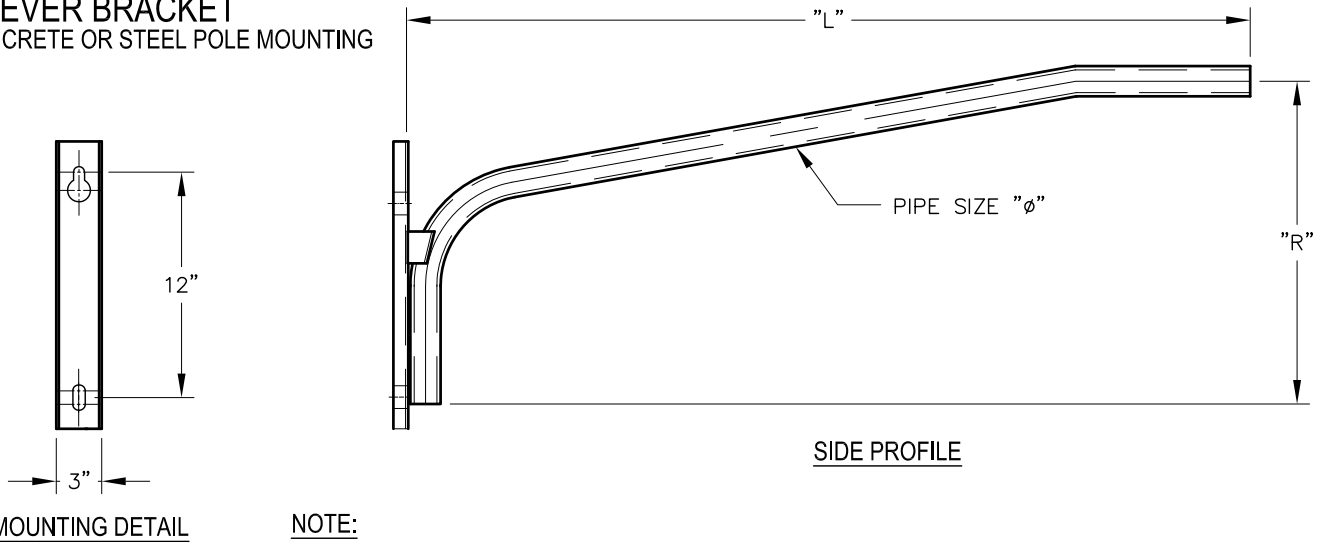


- NOTE:**
- CATALOG NUMBER IS FOR HOT DIPPED GALVANIZED STEEL.  
FOR ALUMINUM BRACKET ADD -A SUFFIX. AMI-428-A

# CANTILEVER STYLE ARMS

## CANTILEVER BRACKET FOR CONCRETE OR STEEL POLE MOUNTING

CS-5



**NOTE:**

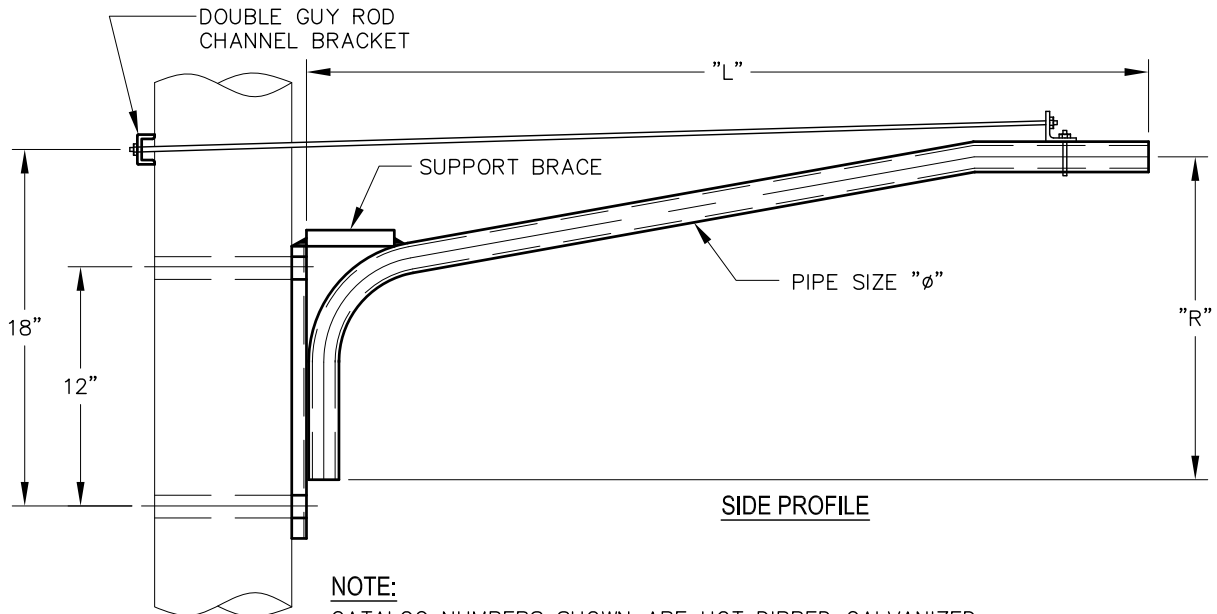
CATALOG NUMBERS SHOWN ARE HOT DIPPED GALVANIZED STEEL FOR ALUMINUM BRACKETS ADD -A SUFFIX. EXAMPLE AMI-XXX-A. PAINTED BRACKETS SUPPLIED ON REQUEST.

CATALOG NUMBERS	DIMENSIONS IN (INCHES)		
	NOMINAL LENGTH "L"	RISE "R"	PIPE $\phi$
AMI-611	1'-6" (18)	12	1 1/4
AMI-613	2'-0" (24)	12	1 1/4
AMI-615	2'-6" (30)	12	1 1/4
AMI-272	4'-0" (48)	18	1 1/4
AMI-274	6'-0" (72)	24	1 1/4
AMI-276	8'-0" (96)	30	1 1/4

CATALOG NUMBERS	DIMENSIONS IN (INCHES)		
	NOMINAL LENGTH "L"	RISE "R"	PIPE $\phi$
AMI-612	1'-6" (18)	12	2
AMI-614	2'-0" (24)	12	2
AMI-616	2'-6" (30)	12	2
AMI-273	4'-0" (48)	18	2
AMI-275	6'-0" (72)	24	2
AMI-277	8'-0" (96)	30	2

## CANTILEVER MAST ARM

FOR STEEL OR CONCRETE POLE  
MOUNTING WITH 2 TIE RODS



**NOTE:**

CATALOG NUMBERS SHOWN ARE HOT DIPPED GALVANIZED STEEL FOR ALUMINUM BRACKETS ADD -A SUFFIX. EXAMPLE AMI-XXX-A. PAINTED BRACKETS SUPPLIED ON REQUEST.

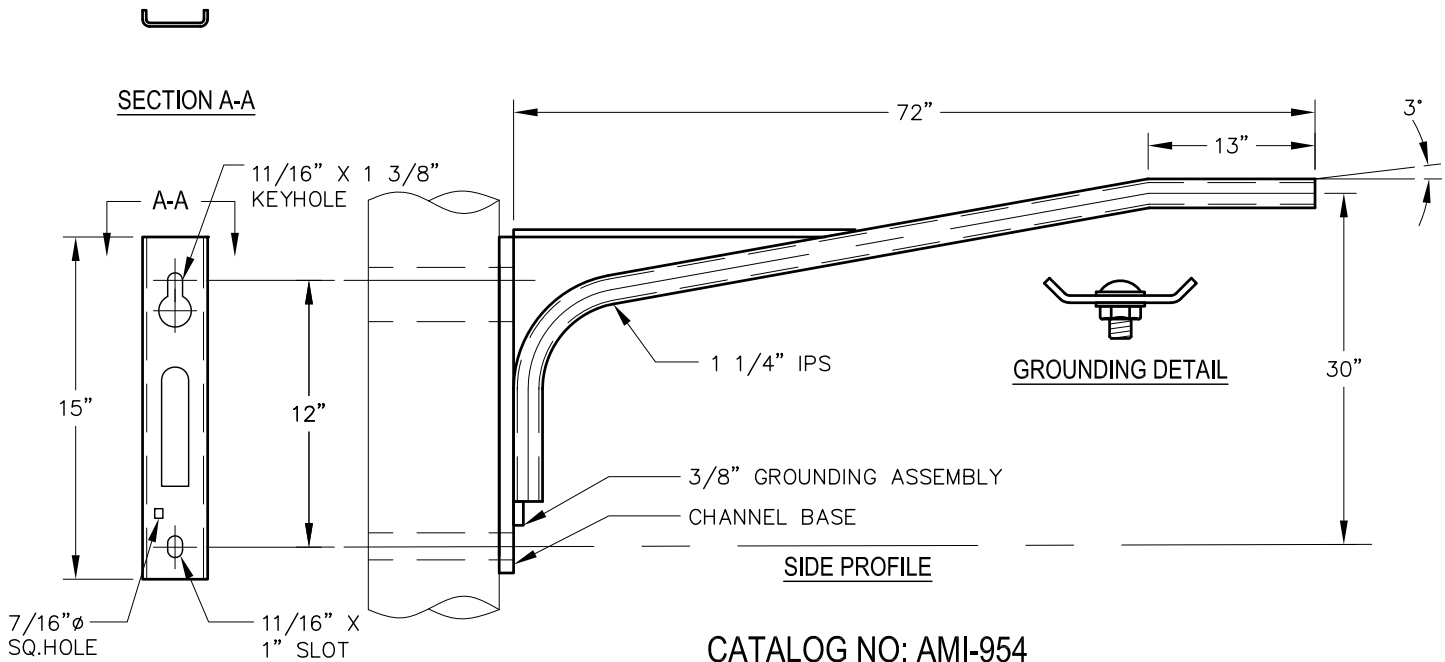
CATALOG NUMBERS	DIMENSIONS IN (INCHES)		
	NOMINAL LENGTH "L"	RISE "R"	PIPE $\phi$
AMI-608	10'-0" (120)	30	2
AMI-609	12'-0" (144)	30	2
AMI-610	14'-0" (168)	30	2

# CANTILEVER STYLE ARMS

ACTION  
MFG.  
INC.

## CANTILEVER MAST ARM

CS-6



CATALOG NO: AMI-954

**NOTES:**

1.0 MATERIAL:

- 1.1 BRACKET COMPONENTS: A-36
- 1.2 EXTENSION ARM: STEEL A-30
- 1.3 HARDWARE: STEEL

2.0 FINISH:

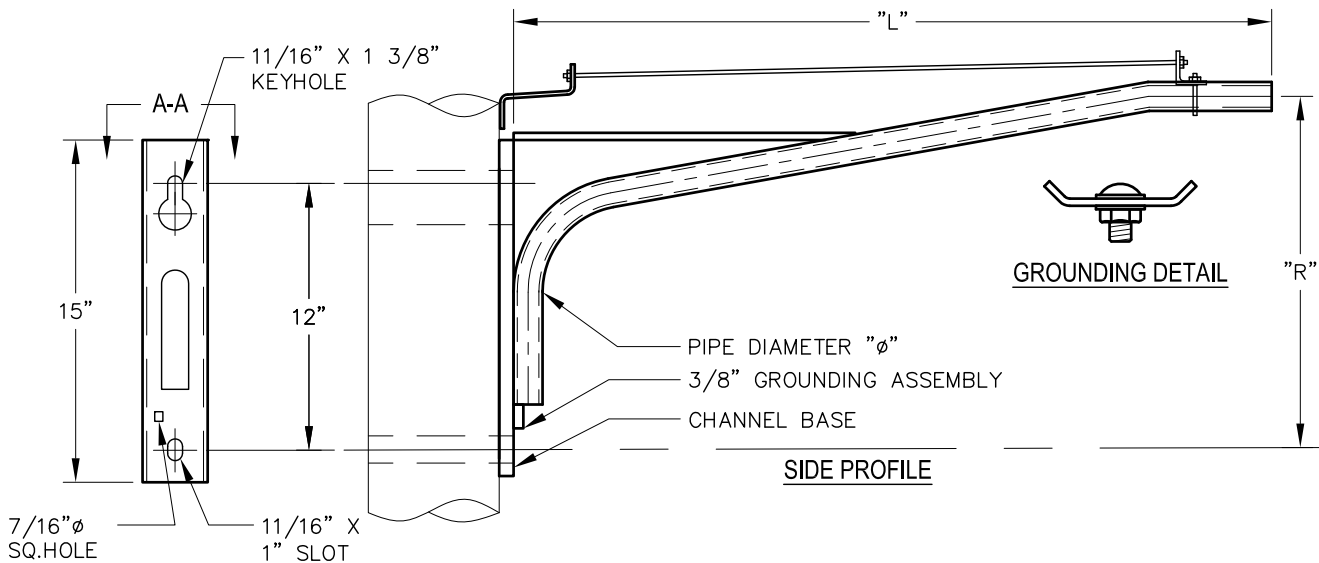
- 2.1 HARDWARE: HOT DIPPED GALVANIZED PER ASTM A-123 SPECIFICATIONS
- 2.2 3/8" GROUNDING ASSEMBLY WILL CONSIST OF 1 1/4" x 3/8" CARRIAGE BOLT, 3/8" FLAT WASHER, 3/8" HEX NUT AND BONDING CLIP

**CHANNEL BASE**

**NOTE:**

CATALOG NUMBERS SHOWN ARE HOT DIPPED GALVANIZED STEEL FOR ALUMINUM BRACKETS ADD -A SUFFIX. EXAMPLE AMI-XXX-A. PAINTED BRACKETS SUPPLIED ON REQUEST.

## CANTILEVER MAST ARM FOR WOOD POLE MOUNTING WITH 1 TIE ROD



CATALOG NUMBERS	DIMENSIONS IN (INCHES)		
	NOMINAL LENGTH "L"	RISE "R"	PIPE $\phi$
AMI-970-LG	6'-0" (72)	24	2
AMI-971-LG	8'-0" (96)	30	2
AMI-972-LG	10'-0" (120)	35	2
AMI-973-LG	12'-0" (144)	40	2

\*-LG SUFFIX INCLUDES GROUNDING LUG

**NOTE:**

CATALOG NUMBERS SHOWN ARE HOT DIPPED GALVANIZED STEEL FOR ALUMINUM BRACKETS ADD -A SUFFIX. EXAMPLE AMI-XXX-A. PAINTED BRACKETS SUPPLIED ON REQUEST.

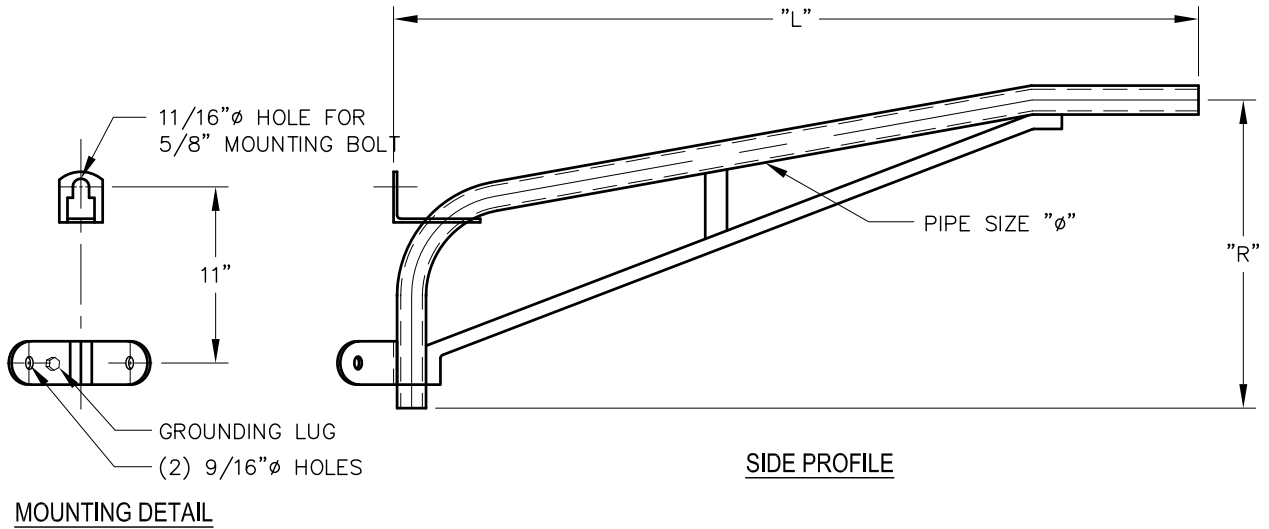
**SECTION A-A**



# CANTILEVER STYLE ARMS

## CANTILEVER MAST ARM WITH UNDER BRACE SUPPORT

CS-7

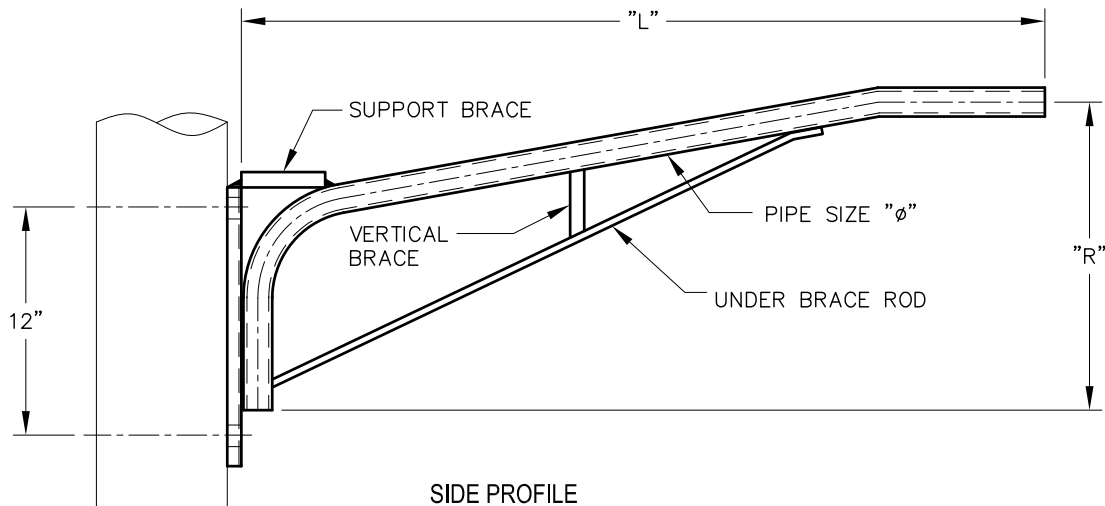


CATALOG NUMBERS	DIMENSIONS IN (INCHES)		
	NOMINAL LENGTH "L"	RISE "R"	PIPE O.D. "phi"
AMI-156	6'-0" (72)	30	1 1/4
AMI-157	6'-0" (72)	30	1 1/4
AMI-158	8'-0" (96)	36	2
AMI-159	8'-0" (96)	36	2

**NOTE:**

FOR SIZES OTHER THAN SPECIFIED IN CATALOG PLEASE CONTACT US.

## CANTILEVER MAST ARM FOR WOOD POLE MOUNTING



CATALOG NUMBERS	DIMENSIONS IN (INCHES)		
	NOMINAL LENGTH "L"	RISE "R"	PIPE "phi"
AMI-449	8'-0" (96)	30	1 1/4

**NOTE:**

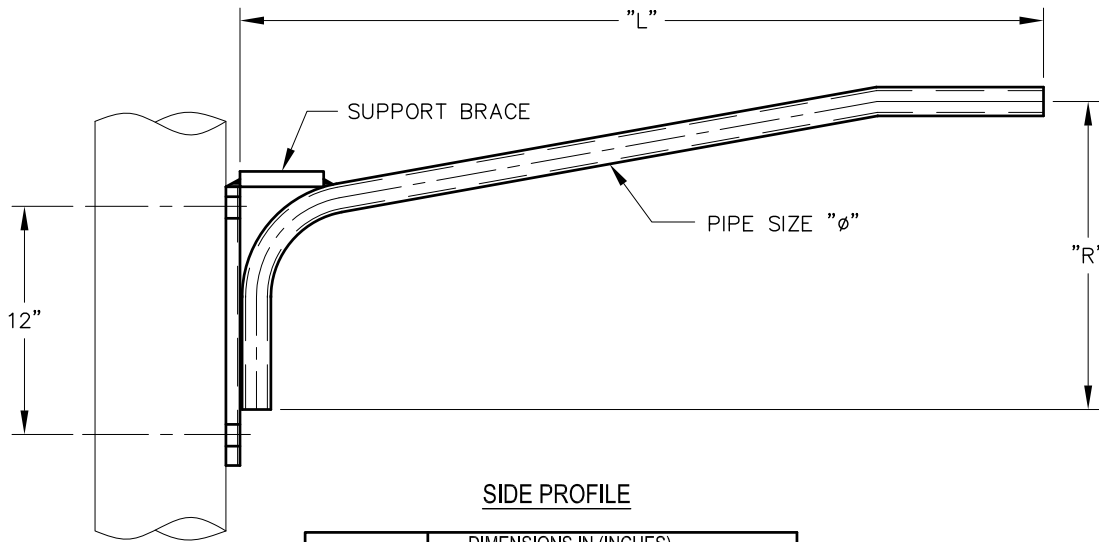
CATALOG NUMBERS ARE FOR HOT DIPPED GALVANIZED STEEL. FOR ALUMINUM BRACKETS ADD -A SUFFIX, EXAMPLE: AMI-XXX-A.

# CANTILEVER STYLE ARMS

ACTION  
MFG.  
INC.

## CANTILEVER MAST ARM

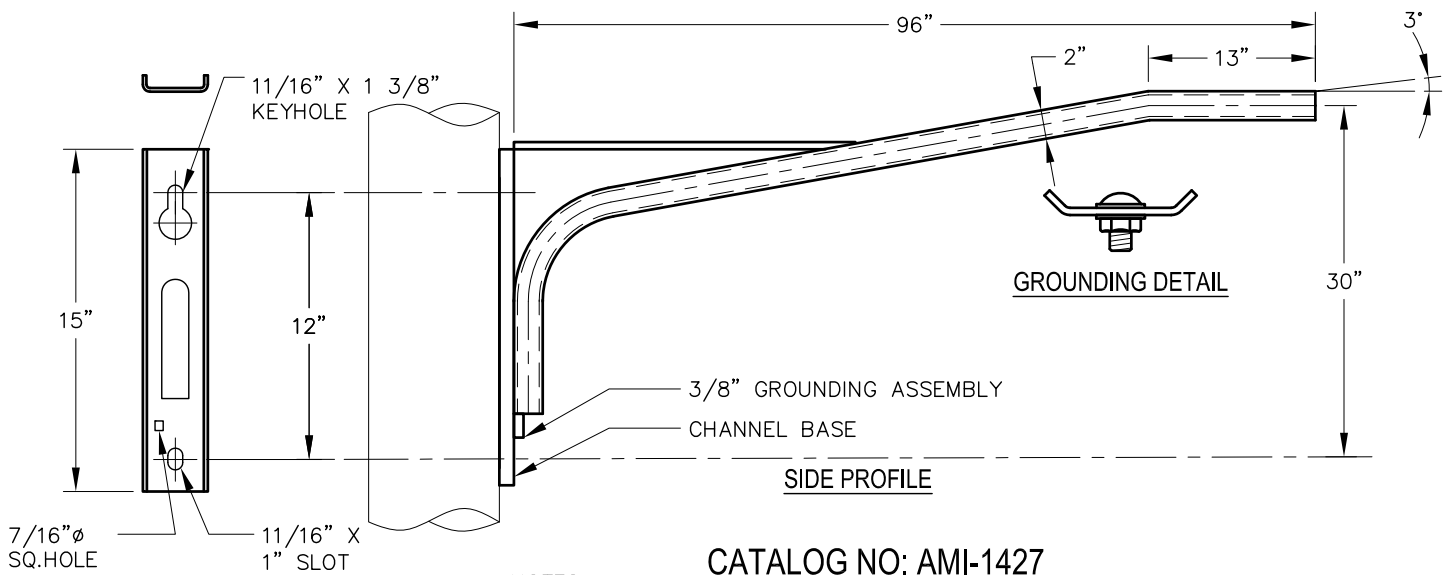
CS-8



CATALOG NUMBERS	DIMENSIONS IN (INCHES)		
	NOMINAL LENGTH "L"	RISE "R"	PIPE "φ"
AMI-442	1'-8" (20)	12	1 1/4
AMI-443	2'-0" (24)	12	1 1/4
AMI-444	4'-0" (48)	24	1 1/4
AMI-445	6'-0" (72)	30	1 1/4
AMI-446	6'-0" (72)	30	2
AMI-447	8'-0" (96)	30	2

NOTE:  
CATALOG NUMBERS ARE FOR HOT DIPPED GALVANIZED STEEL.  
FOR ALUMINUM BRACKETS ADD -A SUFFIX, EXAMPLE: AMI-XXX-A.

## CANTILEVER MAST ARM



CATALOG NO: AMI-1427

NOTES:

1.0 MATERIAL:

- 1.1 BRACKET COMPONENTS: A-36
- 1.2 EXTENSION ARM: STEEL A-30
- 1.3 HARDWARE: STEEL

2.0 FINISH:

- 2.1 HARDWARE: HOT DIPPED GALVANIZED PER ASTM A-123 SPECIFICATIONS
- 2.2 3/8" GROUNDING ASSEMBLY WILL CONSIST OF 1 1/4" x 3/8" CARRIAGE BOLT, 3/8" FLAT WASHER, 3/8" HEX NUT AND BONDING CLIP STAKED IN.

NOTE:

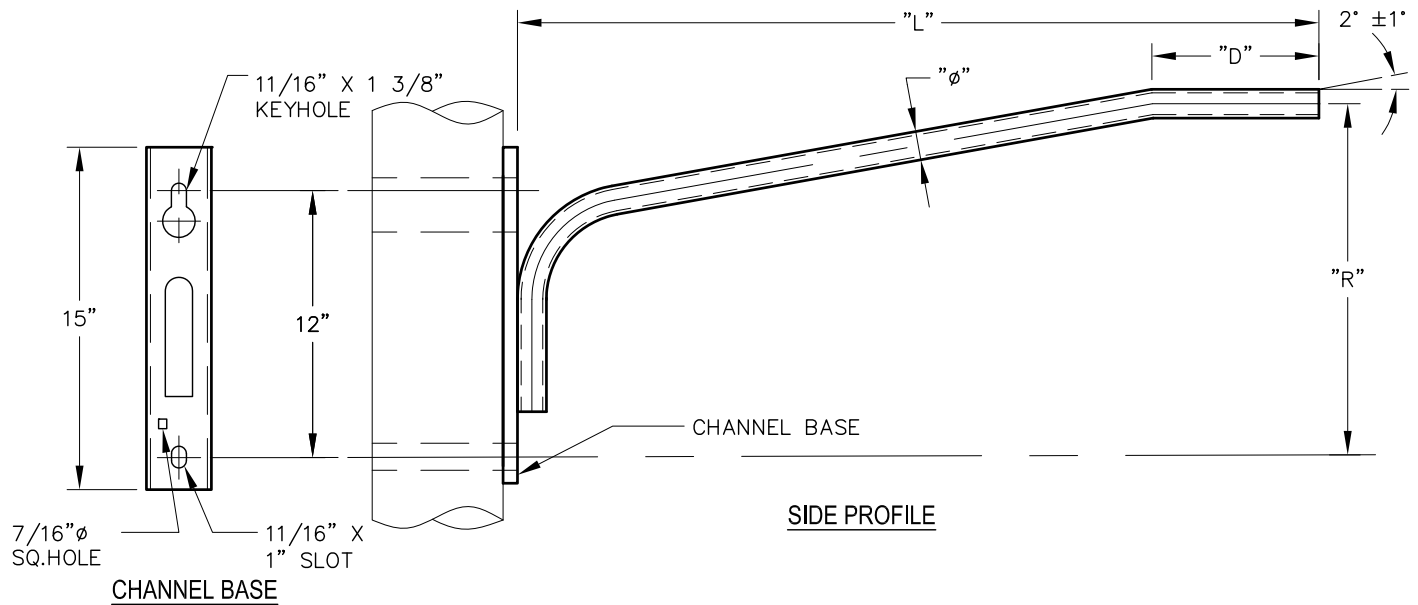
CATALOG NUMBERS SHOWN ARE HOT DIPPED GALVANIZED STEEL FOR ALUMINUM BRACKETS ADD -A SUFFIX. EXAMPLE AMI-XXX-A. PAINTED BRACKETS SUPPLIED ON REQUEST.

# CANTILEVER STYLE ARMS

ACTION  
MFG.  
INC.

## CANTILEVER MAST ARM

CS-9

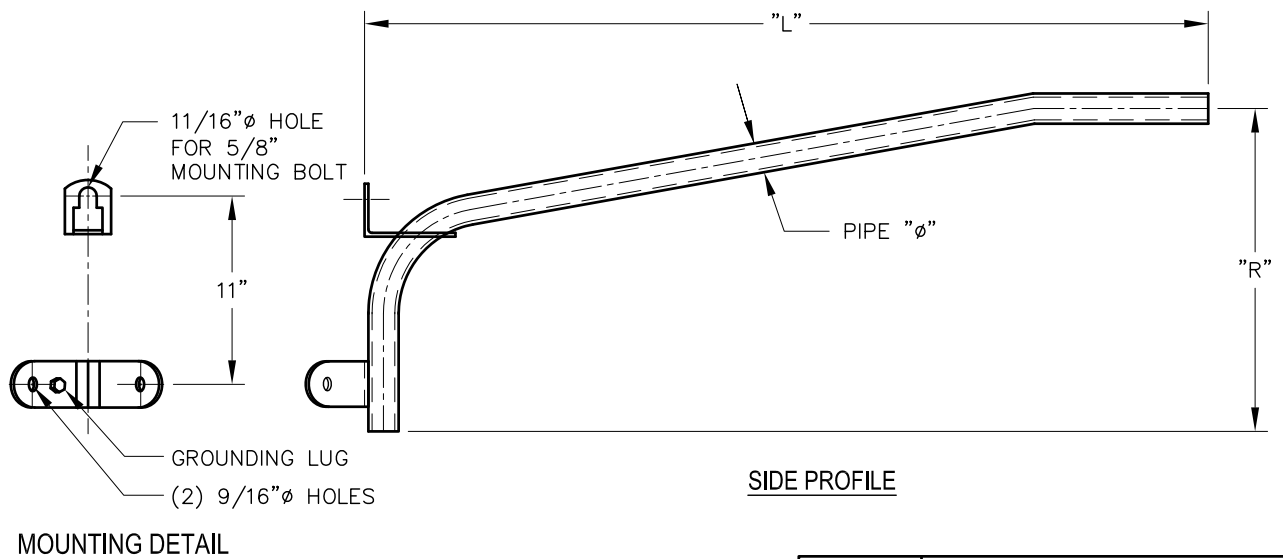


CATALOG NUMBERS	DIMENSIONS IN (INCHES)			
	NOMINAL LENGTH "L"	RISE "R"	PIPE O.D. "φ"	ARM "D"
AMI-513	1'-8" (32)	12	1.66	7.5
AMI-514	4'-0" (48)	24	1.66	7.5
AMI-515	6'-0" (72)	30	2.375	10

**NOTE:**

CATALOG NUMBERS SHOWN ARE HOT DIPPED GALVANIZED STEEL FOR ALUMINUM BRACKETS ADD -A SUFFIX. EXAMPLE AMI-XXX-A. PAINTED BRACKETS SUPPLIED ON REQUEST.

## CANTILEVER MAST ARM



**NOTE:**

CATALOG NUMBERS SHOWN ARE HOT DIPPED GALVANIZED STEEL FOR ALUMINUM BRACKETS ADD -A SUFFIX. EXAMPLE AMI-XXX-A. PAINTED BRACKETS SUPPLIED ON REQUEST.

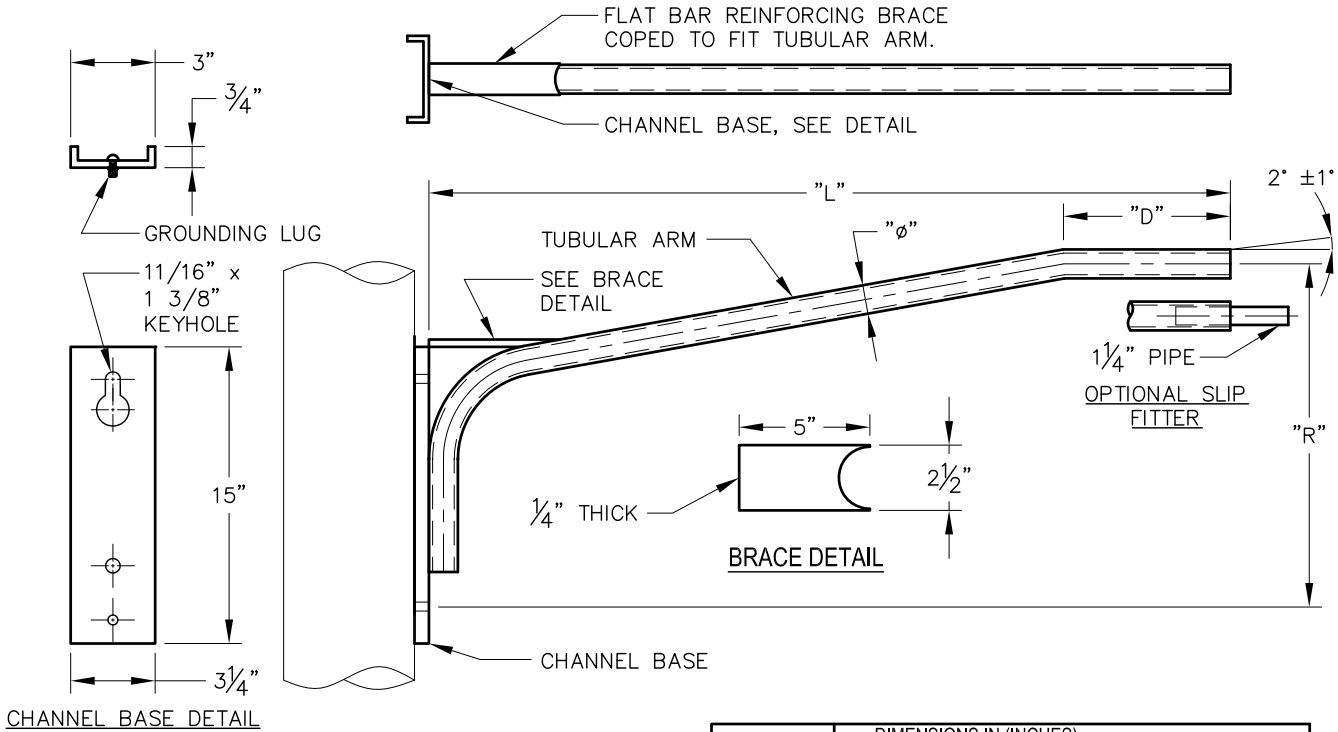
CATALOG NUMBERS	DIMENSIONS IN (INCHES)		
	NOMINAL LENGTH "L"	RISE "R"	PIPE "φ"
AMI-1213	6'-0" (72)	26	2
AMI-1214	8'-0" (96)	32	2

# CANTILEVER STYLE ARMS

ACTION  
MFG.  
INC.

## CANTILEVER MAST ARM

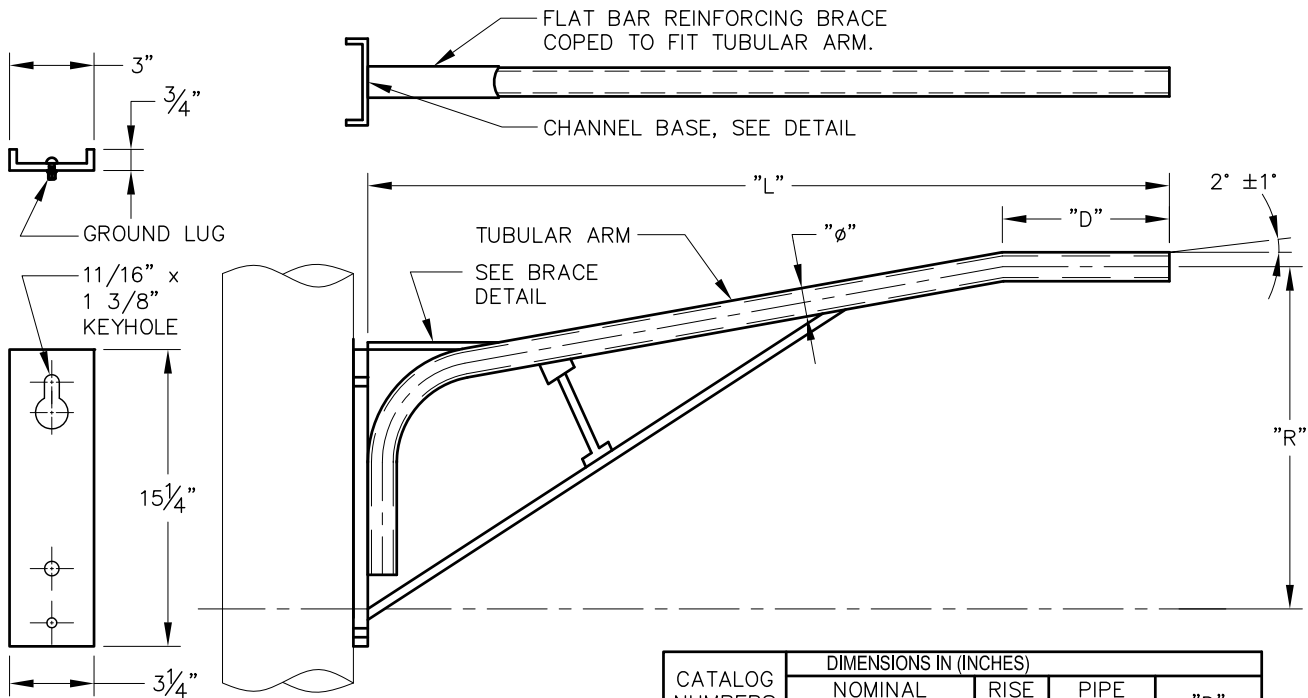
CS-10



NOTE:  
FOR ALUMINUM BRACKET ADD-A SUFFIX, EXAMPLE AMI-XXX-A.  
FOR 1 1/4" SLIP FITTER (SEE DETAIL) ADD-R SUFFIX, EXAMPLE AMI-XXX-R.

CATALOG NUMBERS	DIMENSIONS IN (INCHES)			
	NOMINAL LENGTH "L"	RISE "R"	PIPE O.D. " $\phi$ "	"D"
AMI-1061	4'-0" (48)	24	2	15
AMI-1062	4'-0" (48)	24	1 1/4	15
AMI-1063	6'-0" (72)	30	2	15

## CANTILEVER MAST ARM

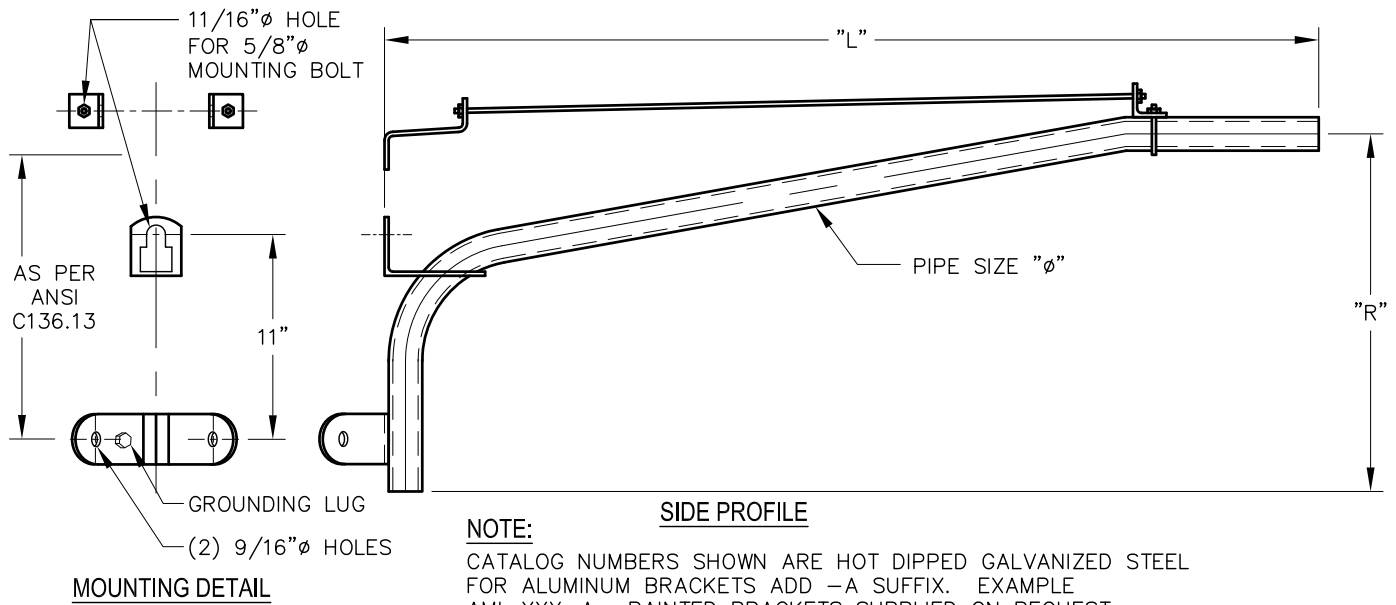


NOTE:  
FOR ALUMINUM BRACKET ADD-A SUFFIX, EXAMPLE AMI-XXX-A.  
FOR 1 1/4" SLIP FITTER (SEE DETAIL) ADD-R SUFFIX, EXAMPLE AMI-XXX-R.

CATALOG NUMBERS	DIMENSIONS IN (INCHES)			
	NOMINAL LENGTH "L"	RISE "R"	PIPE O.D. " $\phi$ "	"D"
AMI-1064	8'-0" (96)	36	2	15

# CANTILEVER STYLE ARMS

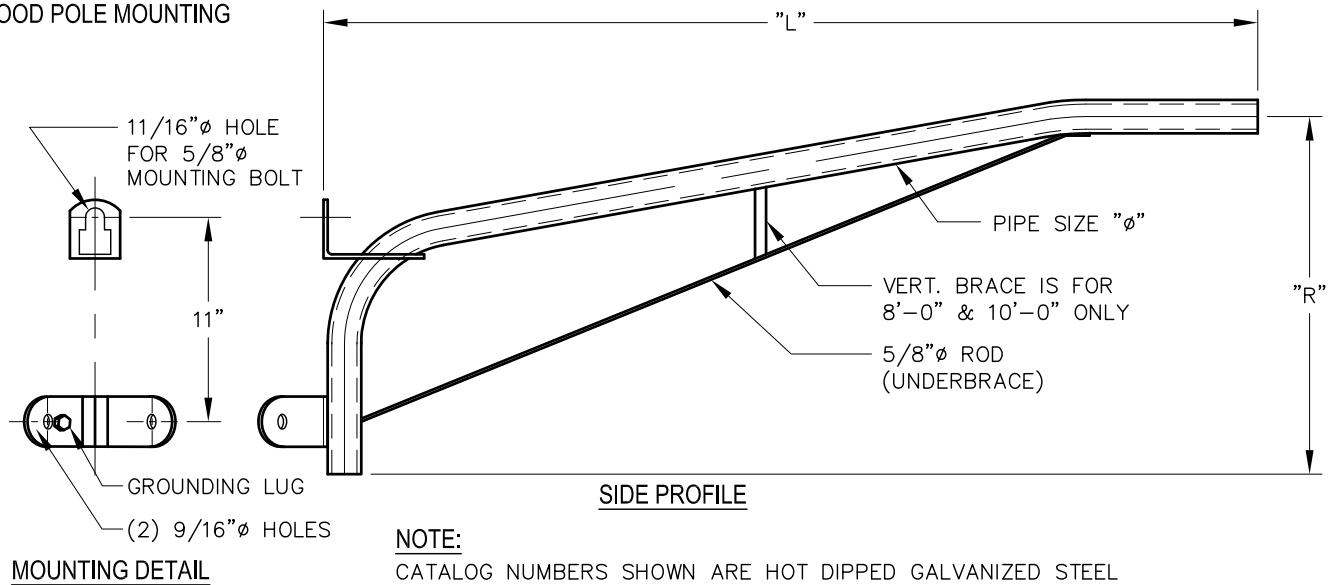
## CANTILEVER MAST ARM FOR WOOD POLE MOUNTING WITH 2 TIE RODS



CATALOG NUMBERS	DIMENSIONS IN (INCHES)		
	NOMINAL LENGTH "L"	RISE "R"	PIPE $\phi$
AMI-115	10'-0" (120)	48	1 1/4
AMI-117	12'-0" (144)	60	1 1/4
AMI-119	14'-0" (168)	60	1 1/4
AMI-121	16'-0" (192)	72	1 1/4
AMI-123	18'-0" (216)	78	1 1/4
AMI-125	20'-0" (240)	84	1 1/4
AMI-1295	22'-0" (264)	84	1 1/4

CATALOG NUMBERS	DIMENSIONS IN (INCHES)		
	NOMINAL LENGTH "L"	RISE "R"	PIPE $\phi$
AMI-122	16'-0" (192)	72	2
AMI-124	18'-0" (216)	78	2
AMI-126	20'-0" (240)	84	2
AMI-1199	8'-0" (96)	36	2
AMI-116	10'-0" (120)	48	2
AMI-118	12'-0" (144)	60	2
AMI-120	14'-0" (168)	60	2

## CANTILEVER MAST ARM FOR WOOD POLE MOUNTING



CATALOG NUMBERS	DIMENSIONS IN (INCHES)		
	NOMINAL LENGTH "L"	RISE "R"	PIPE $\phi$
AMI-591	6'-0" (72)	30	1 1/4
AMI-593	8'-0" (96)	42	1 1/4
AMI-1140	8'-0" (96)	68	1 1/4
AMI-1147	10'-0" (120)	68	1 1/4

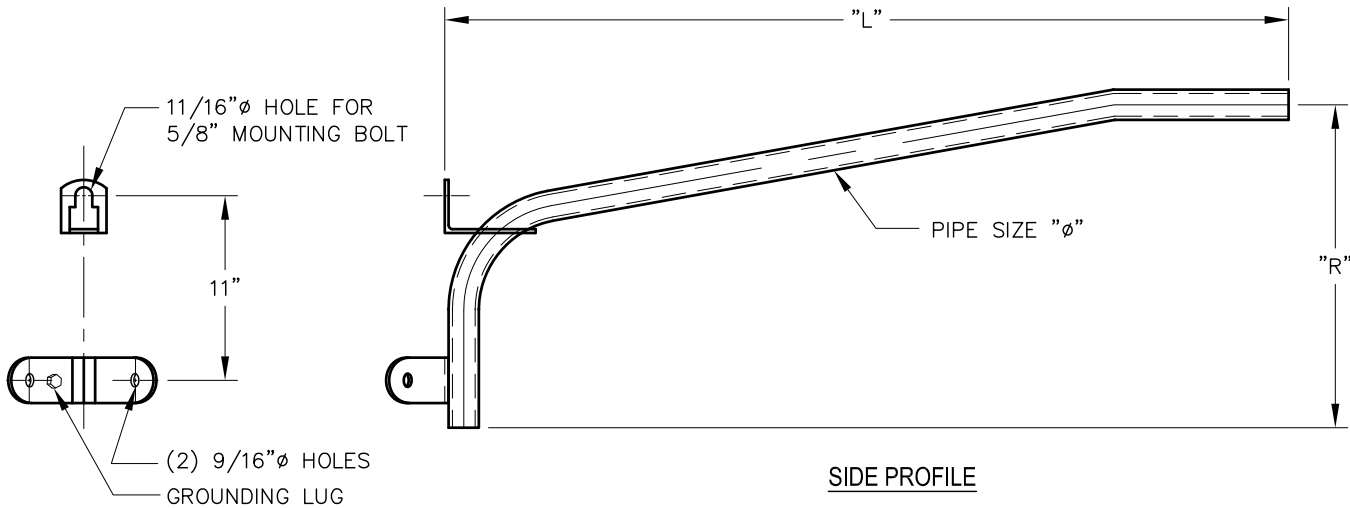
CATALOG NUMBERS	DIMENSIONS IN (INCHES)		
	NOMINAL LENGTH "L"	RISE "R"	PIPE $\phi$
AMI-592	6'-0" (72)	30	2
AMI-594	8'-0" (96)	42	2
AMI-595	10'-0" (120)	48	2

# CANTILEVER STYLE ARMS

ACTION  
MFG.  
INC.

## CANTILEVER MAST ARM FOR WOOD POLE MOUNTING

CS-12



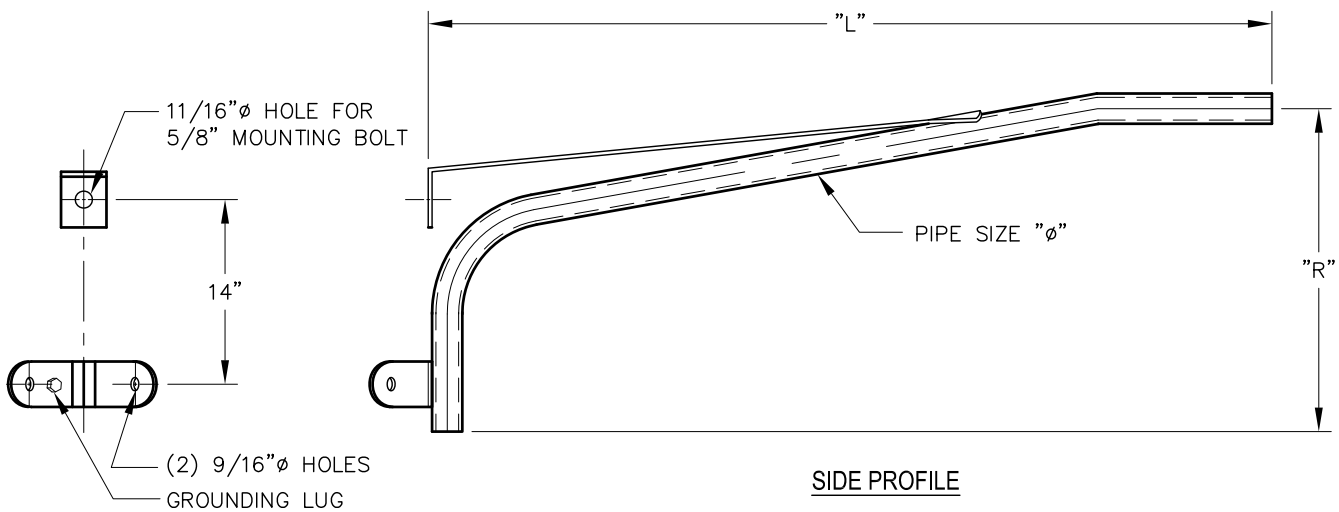
MOUNTING DETAIL

SIDE PROFILE

CATALOG NUMBERS SHOWN ARE HOT DIPPED GALVANIZED STEEL. FOR ALUMINUM BRACKETS ADD -A SUFFIX. EXAMPLE AMI-XXX-A PAINTED BRACKETS SUPPLIED ON REQUEST.

CATALOG NUMBERS	DIMENSIONS IN (INCHES)			
	NOMINAL LENGTH "L"	RISE "R"	PIPE O.D. "φ"	SHIP WEIGHT
AMI-5	2'-0" (24)	12	1 1/4	7lbs.
AMI-10	4'-0" (48)	18	1 1/4	10lbs.
AMI-15	6'-0" (72)	60	2	24lbs.
AMI-20	8'-0" (96)	30	2	26lbs.

## CANTILEVER MAST ARM FOR WOOD POLE MOUNTING



MOUNTING DETAIL

SIDE PROFILE

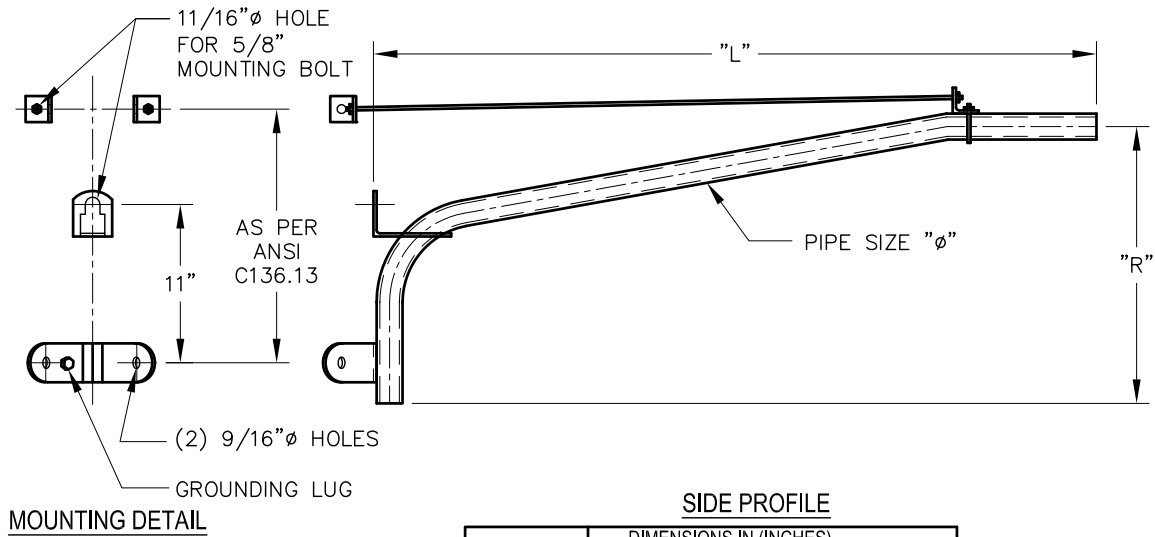
CATALOG NUMBERS SHOWN ARE HOT DIPPED GALVANIZED STEEL. FOR ALUMINUM BRACKETS ADD -A SUFFIX. EXAMPLE AMI-XXX-A PAINTED BRACKETS SUPPLIED ON REQUEST.

CATALOG NUMBERS	DIMENSIONS IN (INCHES)		
	NOMINAL LENGTH "L"	RISE "R"	PIPE O.D. "φ"
AMI-1176	8'-0" (96)	27	2
AMI-1177	10'-0" (120)	34	2

# CANTILEVER STYLE ARMS

## CANTILEVER MAST ARM FOR WOOD POLE MOUNTING WITH 2 TIE RODS

CS-13



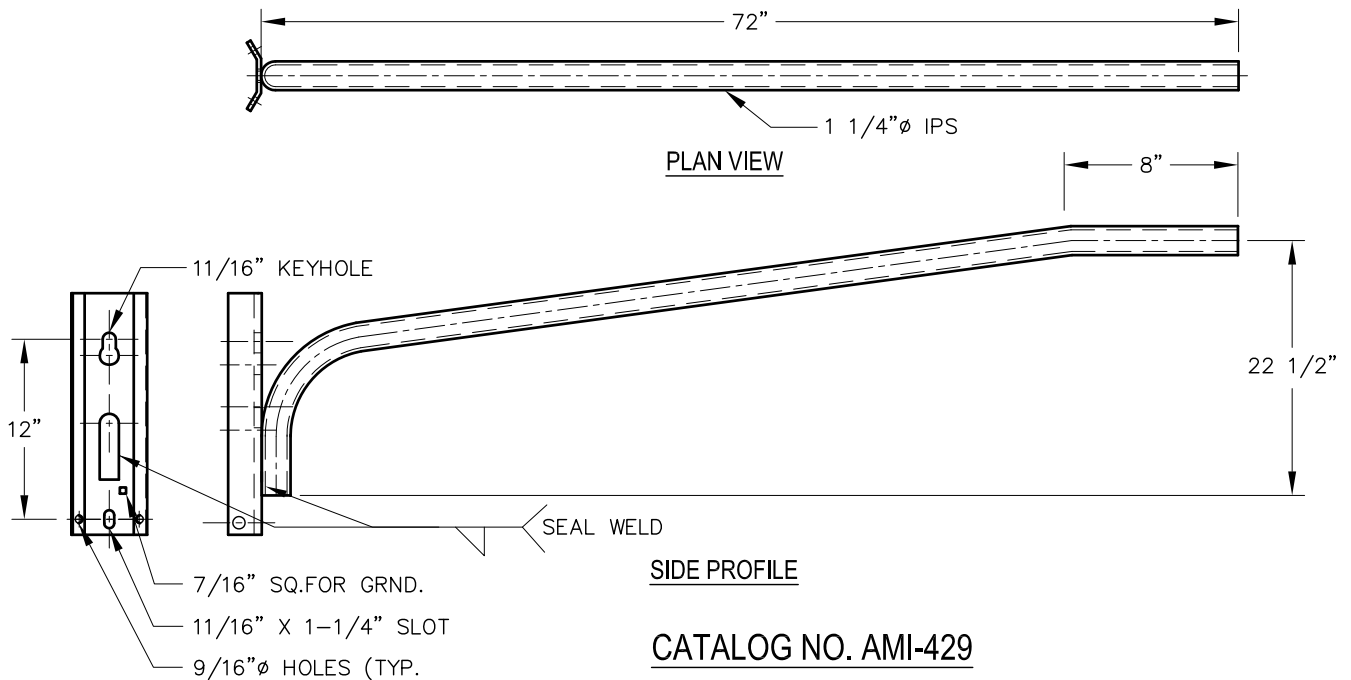
**NOTE:**

CATALOG NUMBERS SHOWN ARE HOT DIPPED GALVANIZED STEEL. FOR ALUMINUM BRACKETS ADD -A SUFFIX. EXAMPLE AMI-XXX-A.

PAINTED BRACKETS SUPPLIED ON REQUEST.

CATALOG NUMBERS	DIMENSIONS IN (INCHES)		
	NOMINAL LENGTH "L"	RISE "R"	PIPE "φ"
AMI-1215	10'-0" (120)	40	2
AMI-1216	12'-0" (144)	46	2
AMI-1217	14'-0" (168)	42	2
AMI-1218	10'-0" (120)	46	2
AMI-1219	16'-0" (192)	50	2
AMI-1220	20'-0" (240)	54	2

## 6'-0" CANTILEVER MAST ARM



**CATALOG NO. AMI-429**

**NOTE:**

CATALOG NUMBERS SHOWN ARE HOT DIPPED GALVANIZED STEEL. FOR ALUMINUM BRACKETS ADD -A SUFFIX. EXAMPLE AMI-XXX-A.

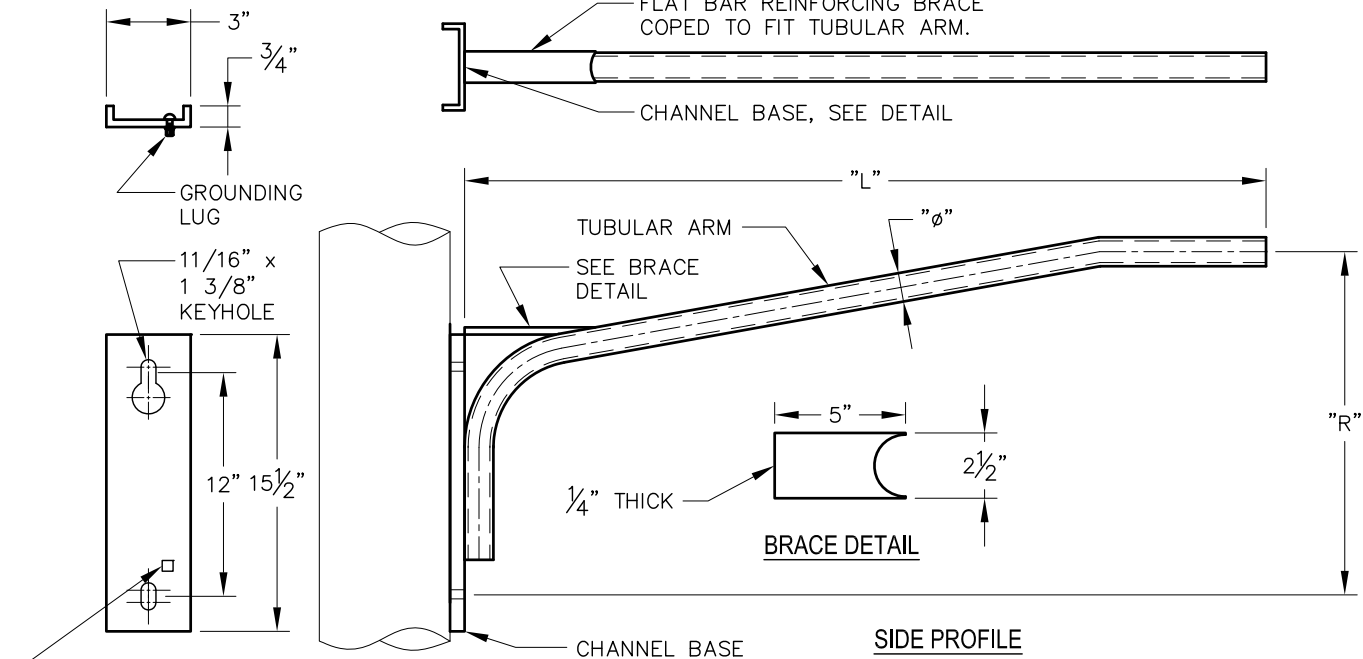
PAINTED BRACKETS SUPPLIED ON REQUEST.

# CANTILEVER STYLE ARMS

ACTION  
MFG.  
INC.

CS-14

## CANTILEVER MAST ARM



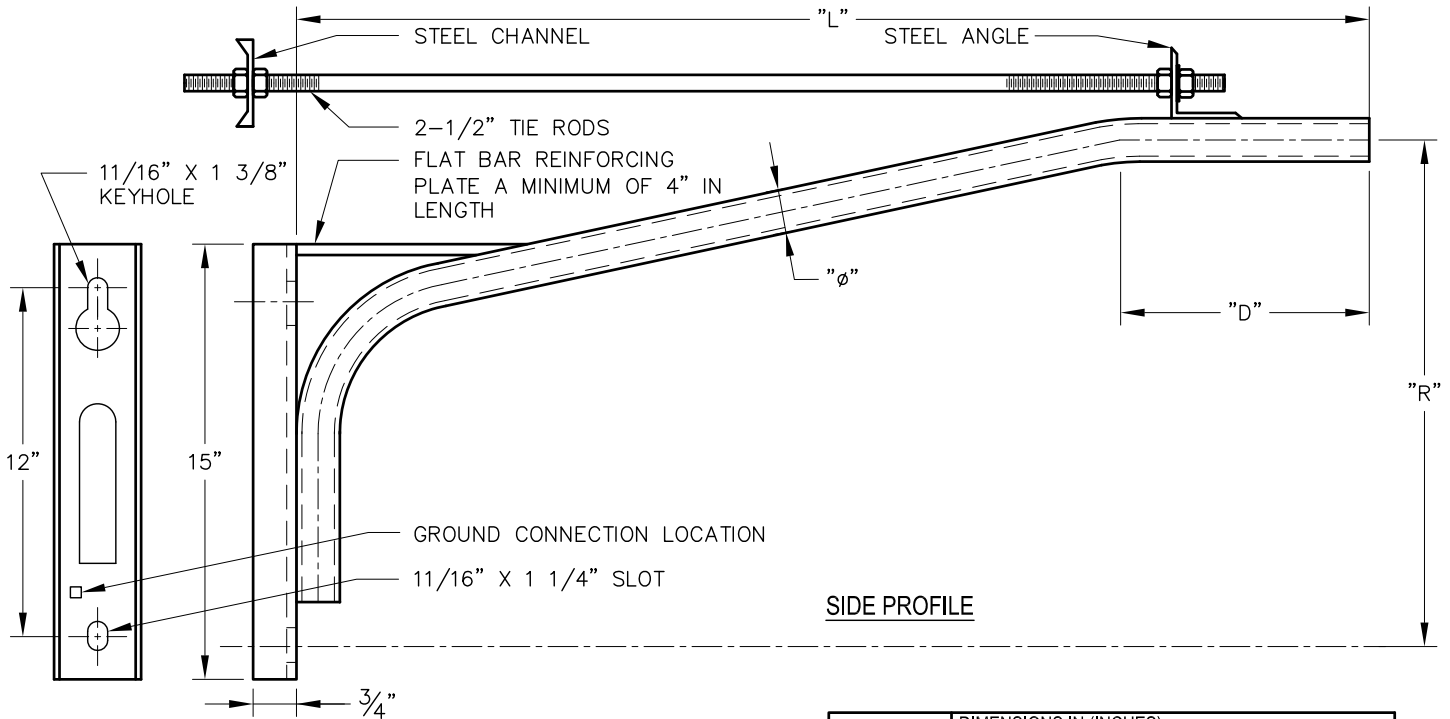
GROUNDING CONNECTOR  
3/8" X 1 1/4" CARRIAGE BOLT,  
W/ LOCK WASHER, F/W AND NUT.

### CHANNEL BASE DETAIL

NOTE:  
FOR ALUMINUM BRACKET ADD -A SUFFIX, EXAMPLE AMI-XXX-A.

CATALOG NUMBERS	DIMENSIONS IN (INCHES)		
	NOMINAL LENGTH "L"	RISE "R"	PIPE "φ"
AMI-512	6'-0" (72)	62	1 1/4

## CANTILEVER MAST ARM



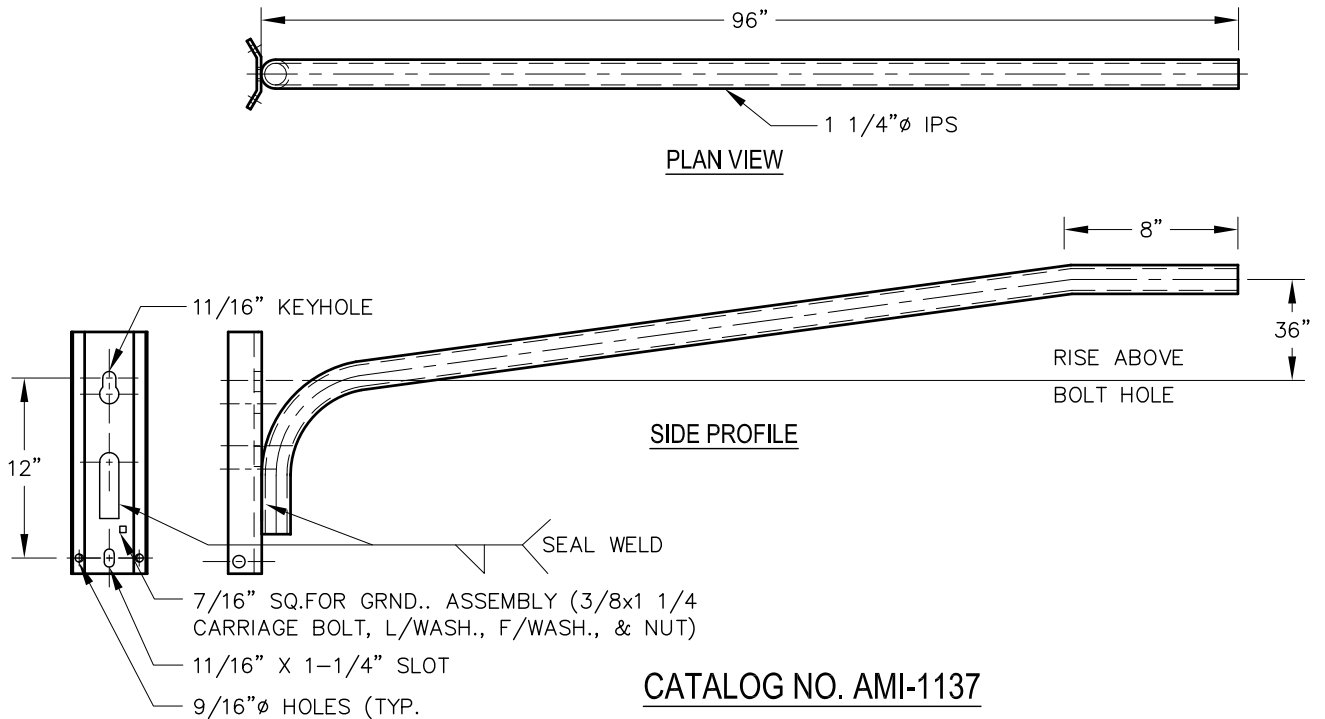
CATALOG NUMBER IS FOR HOT DIPPED GALVANIZED STEEL.  
FOR ALUMINUM BRACKET ADD -A SUFFIX. EXAMPLE AMI-XXX-A

CATALOG NUMBERS	DIMENSIONS IN (INCHES)			
	NOMINAL LENGTH "L"	RISE "R"	PIPE O.D. "φ"	"D"
AMI-516	8'-0" (96)	30	2.375	36
AMI-517	10'-0" (120)	30	2.375	36
AMI-518	12'-0" (144)	30	2.375	36

# CANTILEVER STYLE ARMS

## 8'-0" CANTILEVER MAST ARM

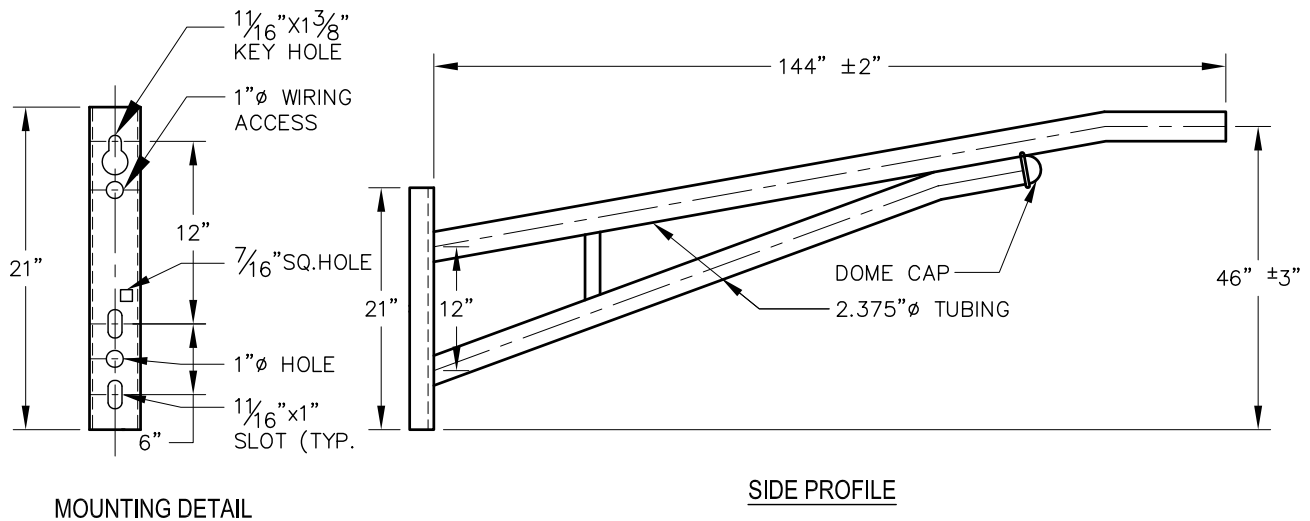
CS-15



**NOTE:**

CATALOG NUMBER IS FOR HOT DIPPED GALVANIZED STEEL. FOR ALUMINUM BRACKET ADD -A SUFFIX, EXAMPLE AMI-XXX-A.

## TRUSS-TYPE MAST ARM FOR CONCRETE POLE MOUNTING



**NOTE:**

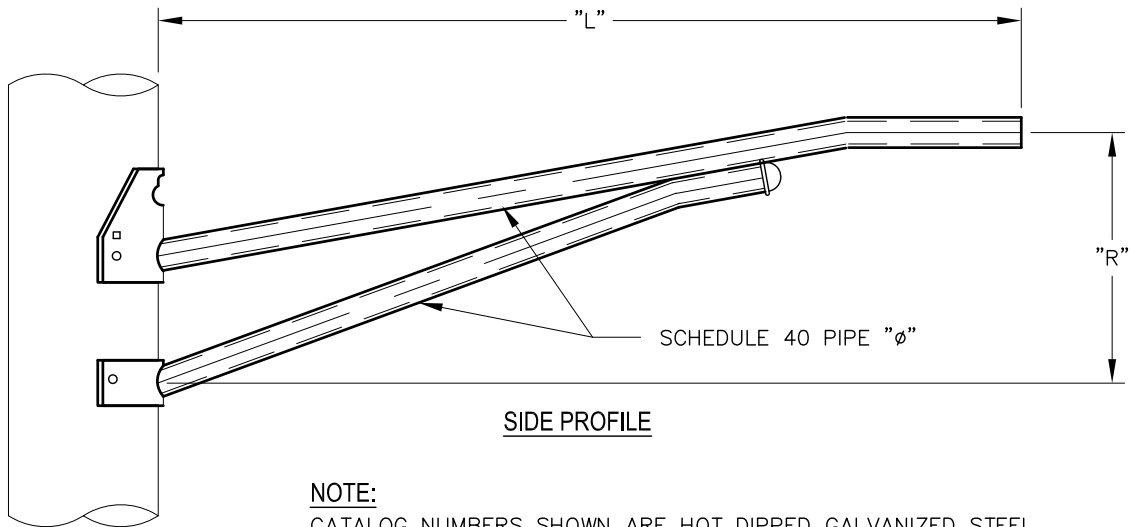
CATALOG NUMBERS SHOWN ARE FOR HOT DIPPED GALVANIZED STEEL FOR ALUMINUM BRACKETS ADD -A SUFFIX. EXAMPLE AMI-XXX-A. PAINTED BRACKETS SUPPLIED ON REQUEST.

# CANTILEVER STYLE ARMS

ACTION  
MFG.  
INC.

## TRUSS-TYPE MAST ARM FOR WOOD POLE MOUNTING

CS-16



SIDE PROFILE

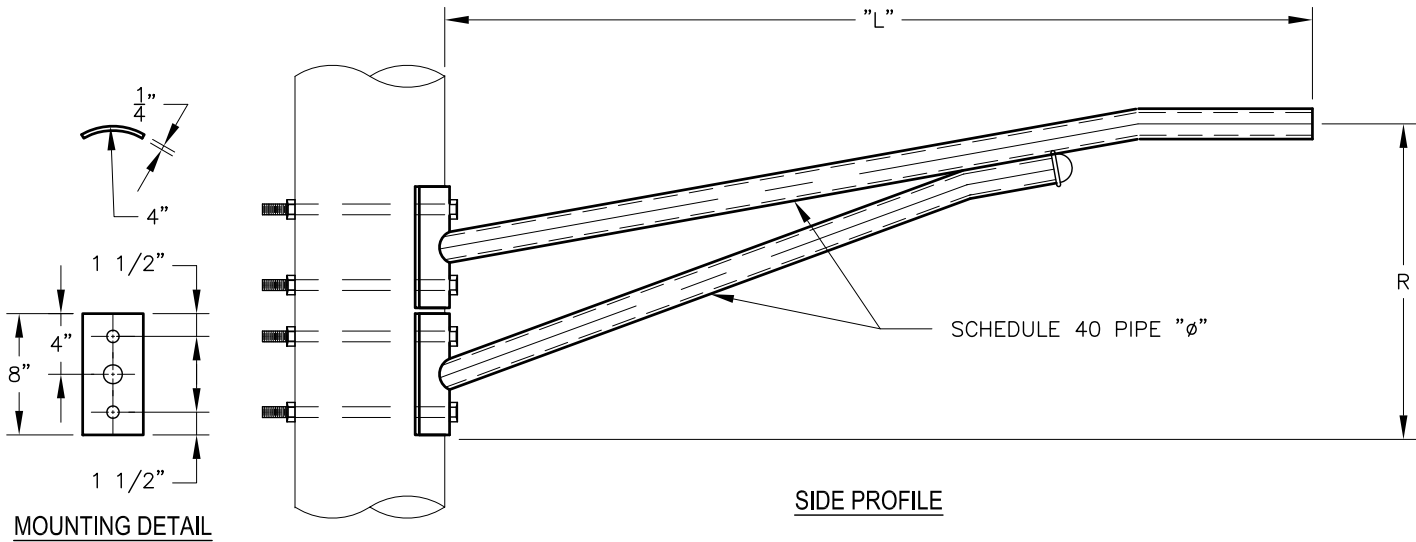
**NOTE:**

CATALOG NUMBERS SHOWN ARE HOT DIPPED GALVANIZED STEEL FOR ALUMINUM BRACKETS ADD -A SUFFIX. EXAMPLE AMI-XXX-A. PAINTED BRACKETS SUPPLIED ON REQUEST.

CATALOG NUMBERS	DIMENSIONS IN (INCHES)		
	NOMINAL LENGTH "L"	RISE "R"	PIPE $\phi$
AMI-596	8'-0" (96)	42	1 1/4
AMI-597	10'-0" (120)	48	1 1/4
AMI-599	12'-0" (144)	54	1 1/4
AMI-601	14'-0" (168)	60	1 1/4

CATALOG NUMBERS	DIMENSIONS IN (INCHES)		
	NOMINAL LENGTH "L"	RISE "R"	PIPE $\phi$
AMI-598	10'-0" (120)	48	2
AMI-600	12'-0" (144)	54	2
AMI-602	14'-0" (168)	60	2
AMI-603	16'-0" (192)	66	2
AMI-604	18'-0" (216)	72	2
AMI-605	20'-0" (240)	78	2

## TRUSS-TYPE MAST ARM FOR CONCRETE POLE MOUNTING

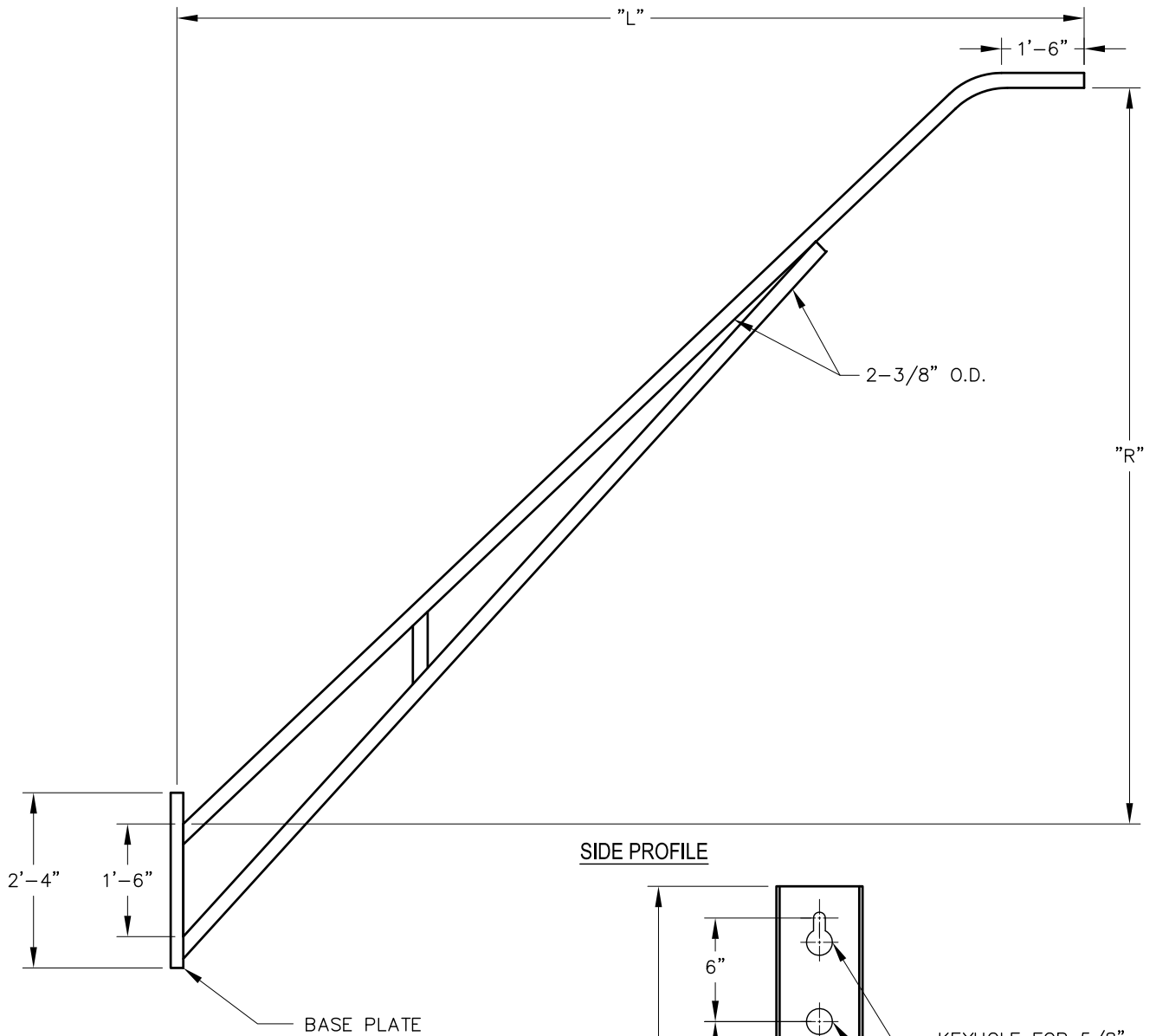


SIDE PROFILE

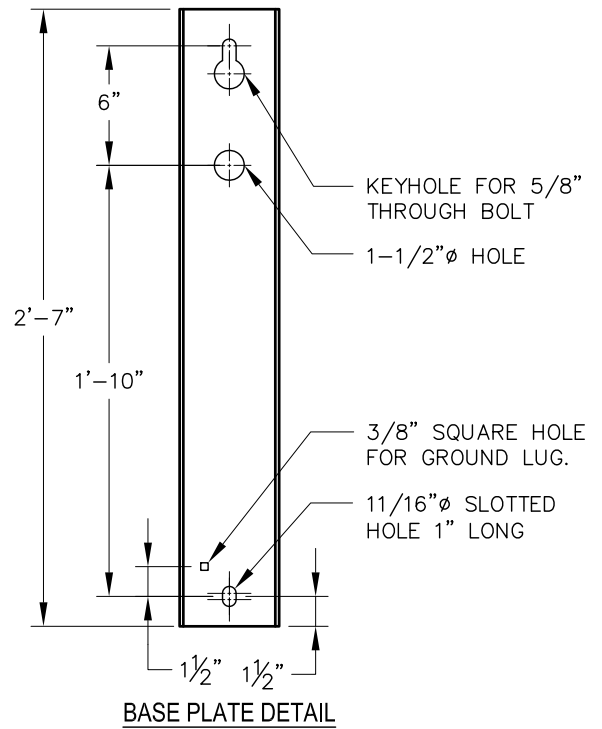
CATALOG NUMBERS	DIMENSIONS IN (INCHES)		
	NOMINAL LENGTH "L"	RISE "R"	PIPE $\phi$
AMI-606	12'-0" (144)	54	2
AMI-607	14'-0" (168)	60	2

## TRUSS-TYPE MAST ARM FOR CONCRETE POLE MOUNTING

CS-17



**SIDE PROFILE**



**NOTE:**

CATALOG NUMBERS SHOWN ARE HOT DIPPED GALVANIZED STEEL. FOR ALUMINUM BRACKETS ADD -A SUFFIX, EXAMPLE AMI-XXX-A.

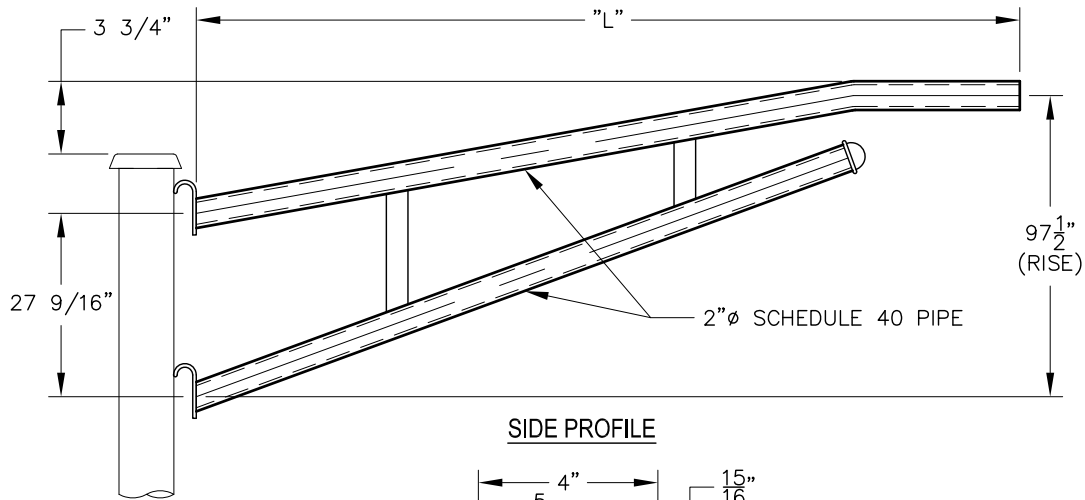
CATALOG NUMBERS	DIMENSIONS IN (INCHES)		
	NOMINAL LENGTH "L"	RISE "R"	PIPE O.D. "ø"
AMI-519	12'-0" (144)	5'-0" (60)	2 3/8
AMI-520	12'-0" (144)	10'-0" (120)	2 3/8

# CANTILEVER STYLE ARMS

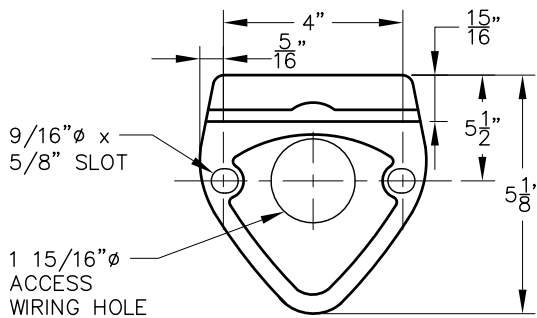
ACTION  
MFG.  
INC.

## TRUSS-TYPE MAST ARM FOR STEEL POLES

CS-18



SIDE PROFILE

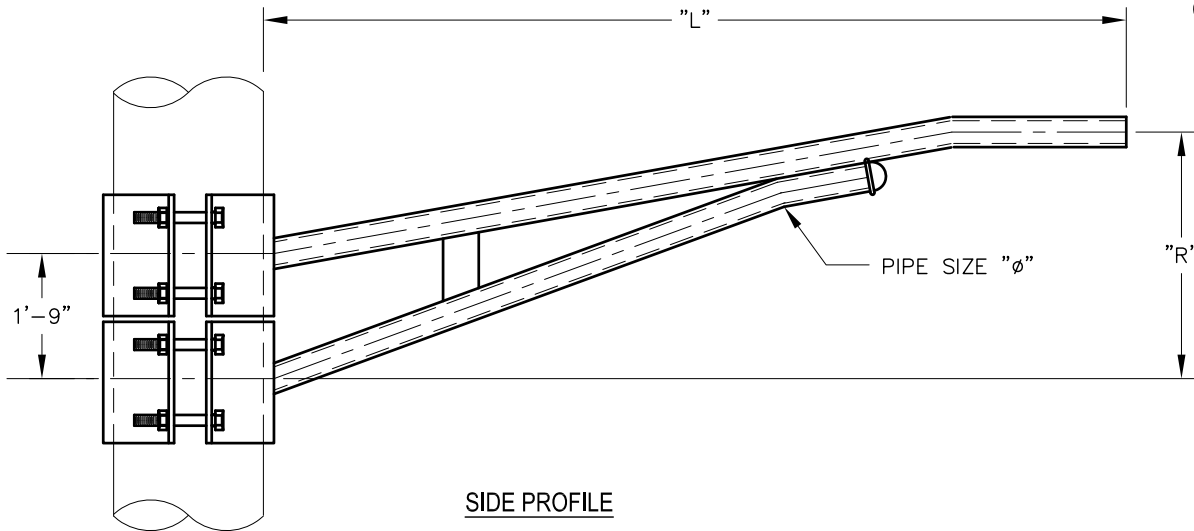


MOUNTING PLATE

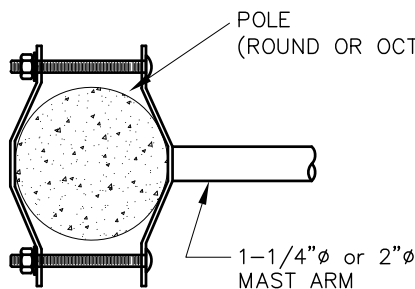
CATALOG NUMBERS	DIMENSIONS IN INCHES	
	NOMINAL LENGTH "L"	
AMI-169	6'-0"	(72)
AMI-170	8'-0"	(96)
AMI-171	10'-0"	(120)
AMI-172	12'-0"	(144)
AMI-173	15'-0"	(180)

NOTE: ALL MATERIALS ARE HOT DIPPED GALVANIZED.

## TRUSS TYPE MAST ARM CLAMP ON TRUSS



SIDE PROFILE



TOP VIEW

**NOTE:**

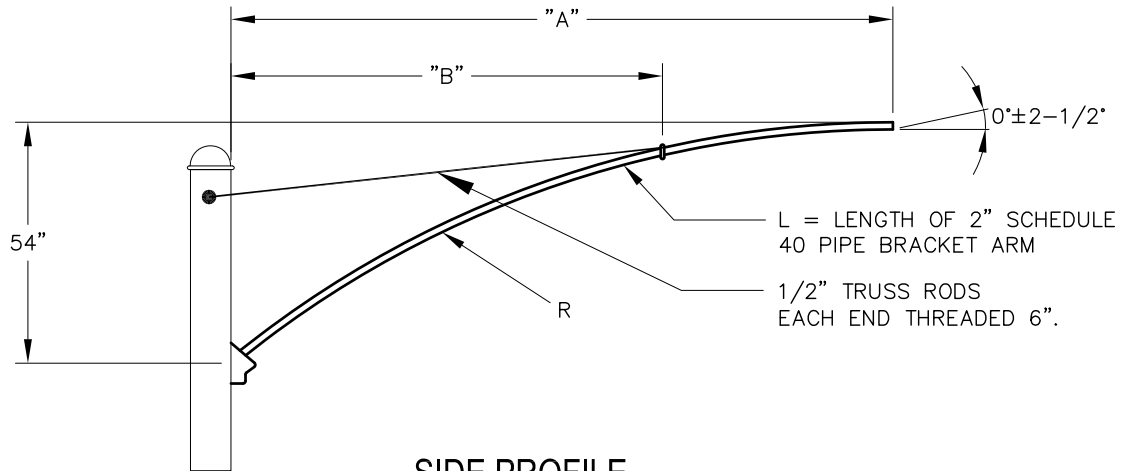
PLEASE SPECIFY POLE DIAMETER WHEN ORDERING.

CATALOG NUMBERS	DIMENSIONS IN (INCHES)		
	NOMINAL LENGTH "L"	RISE "R"	PIPE "phi"
AMI-644	12'-0" (144)	54	1 1/4
AMI-645	12'-0" (144)	54	2

# CANTILEVER STYLE ARMS

## UPSWEEEP MAST ARM WITH TRUSS ROD FOR WIND-BRACE

CS-19

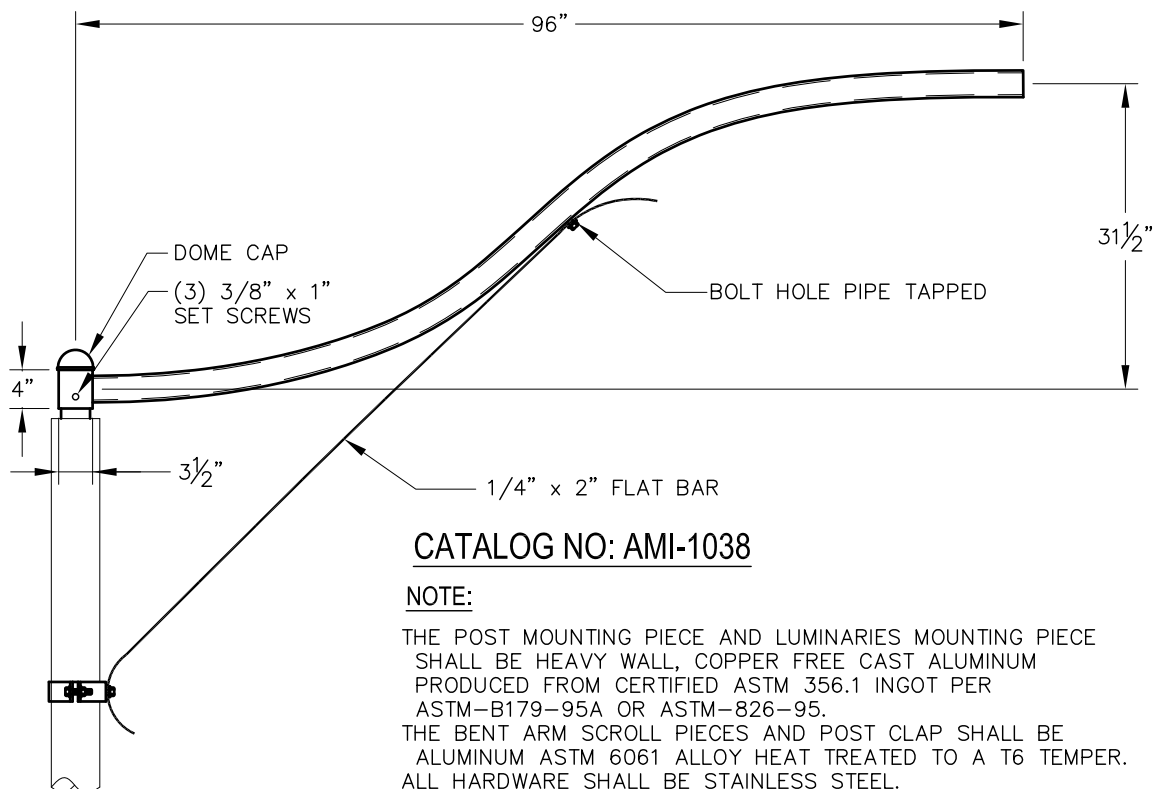


CATALOG NUMBERS	STOCK	"A"	"B"	"L"	"R"
AMI-165	470-043	10'-0"	8'-0"	11'-0"	9'-3"
AMI-166	470-044	12'-0"	9'-7"	13'-0"	13'-0"
AMI-167	470-065P1	15'-0"	11'-7"	16'-0"	21'-0"

**NOTES:**

- 1.) ARM IS FABRICATED FROM 2" PIPE TO A SINGLE BOLT SIMPLEX SHOE.
- 2.) TIE RODS, CLAMPS, SET SCREWS, AND SPECIAL, CAP SCREWS, 1/2"x3/4" COUNTERSUNK HEX HEAD (GALV.) ARE PACKAGE TOGETHER FOR SHIPMENT.

## UPSWEEEP MAST ARM

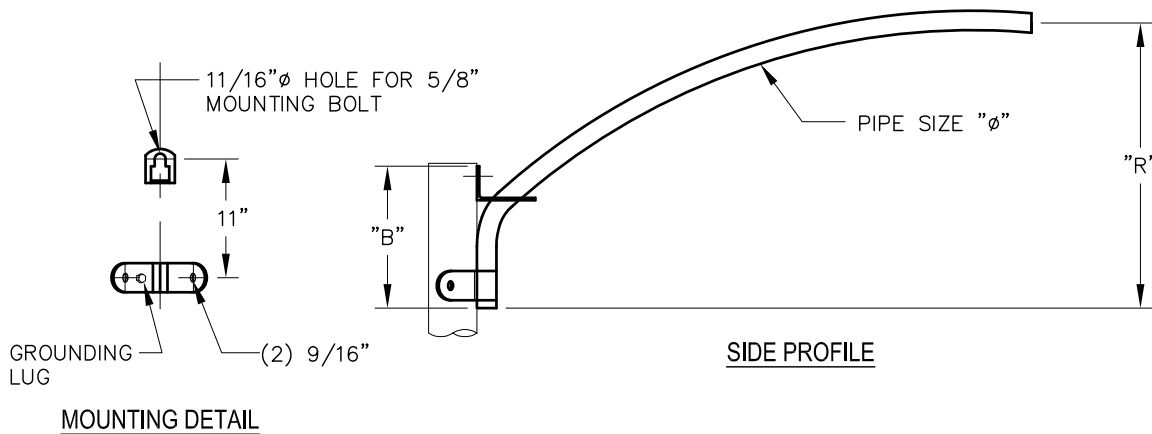


# CANTILEVER STYLE ARMS

ACTION  
MFG.  
INC.

## UPSWEEP ARM FOR WOOD POLE MOUNTING

CS-20



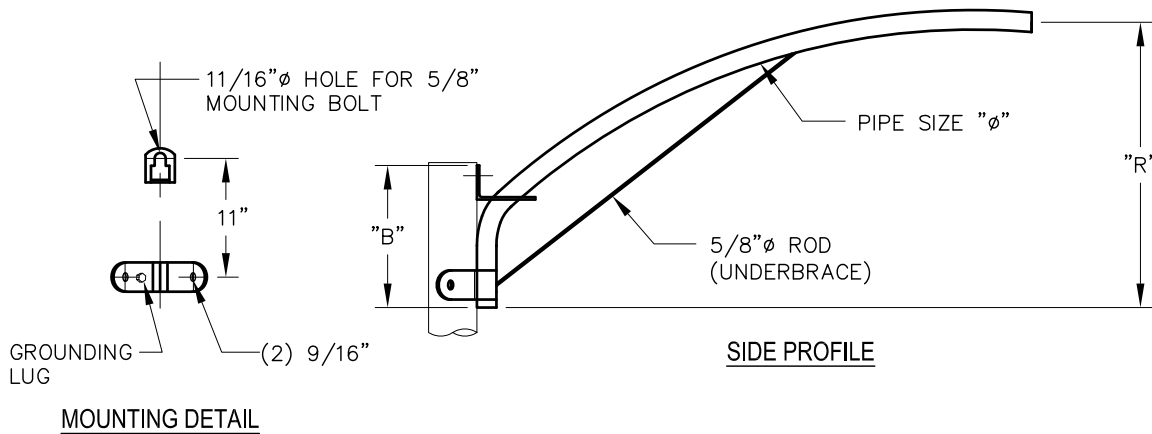
**NOTE:**

CATALOG NUMBERS SHOWN ARE HOT DIPPED GALVANIZED STEEL FOR ALUMINUM BRACKETS ADD -A SUFFIX. EXAMPLE AMI-XXX-A. PAINTED BRACKETS SUPPLIED ON REQUEST.

CATALOG NUMBERS	DIMENSIONS IN (INCHES)				
	NOMINAL LENGTH "L"	RISE "R"	PIPE "φ"	WEIGHT (lbs.)	POLE SPACE "B"
AMI-1120	1'-6" (30)	17	1 1/4	3	8 1/2
AMI-1121	4'-0" (48)	23	1 1/4	4	8 1/2
AMI-1122	4'-0" (48)	22	1 1/4	6	11 5/8
AMI-1123	6'-0" (72)	28	1 1/4	7	11 5/8

CATALOG NUMBERS	DIMENSIONS IN (INCHES)				
	NOMINAL LENGTH "L"	RISE "R"	PIPE "φ"	WEIGHT (lbs.)	POLE SPACE "B"
AMI-1124	4'-0" (48)	22	2	8	11 7/8
AMI-1125	6'-0" (72)	28	2	11	11 7/8
AMI-1126	8'-0" (96)	30	2	13	11 7/8

## UNDERBRACED UPSWEEP MAST ARM FOR WOOD POLE MOUNTING



**NOTE:**

CATALOG NUMBERS SHOWN ARE HOT DIPPED GALVANIZED STEEL FOR ALUMINUM BRACKETS ADD -A SUFFIX. EXAMPLE AMI-XXX-A. PAINTED BRACKETS SUPPLIED ON REQUEST.

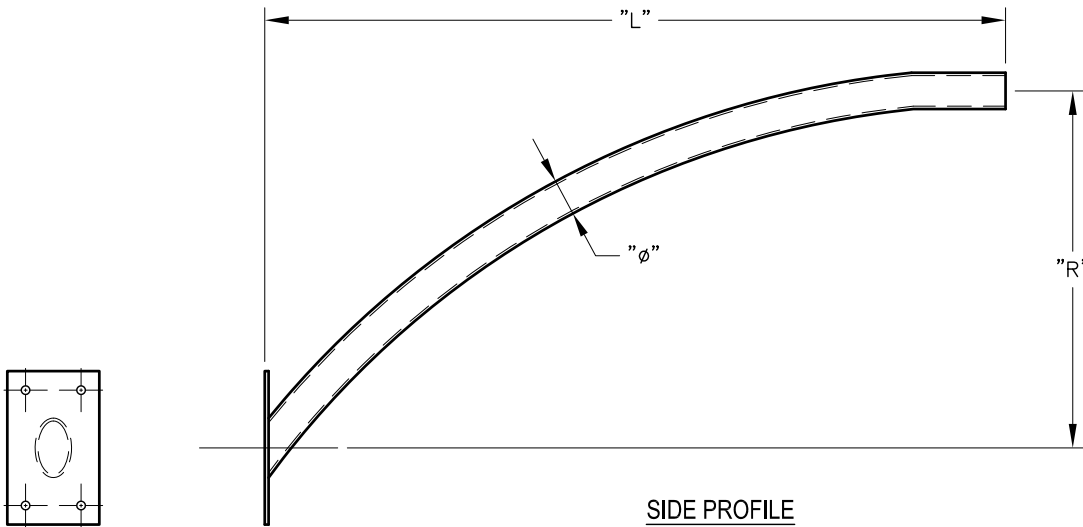
CATALOG NUMBERS	DIMENSIONS IN (INCHES)				
	NOMINAL LENGTH "L"	RISE "R"	PIPE "φ"	WEIGHT (lbs.)	POLE SPACE "B"
AMI-1127	6'-0" (72)	28	1 1/4	8	11 5/8
AMI-1128	8'-0" (96)	30	1 1/4	11	11 5/8

CATALOG NUMBERS	DIMENSIONS IN (INCHES)				
	NOMINAL LENGTH "L"	RISE "R"	PIPE "φ"	WEIGHT (lbs.)	POLE SPACE "B"
AMI-1129	6'-0" (72)	28	2	12	11 7/8
AMI-1130	8'-0" (96)	30	2	15	11 7/8

# CANTILEVER STYLE ARMS

## UPSWEEEP MAST ARM FOR WALL MOUNTING

CS-21



MOUNTING DETAIL

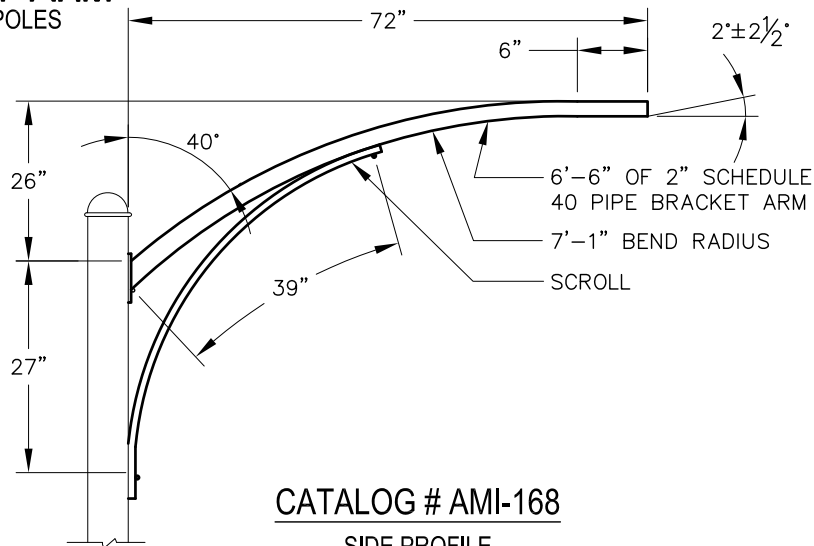
SIDE PROFILE

CATALOG NUMBERS	DIMENSIONS IN (INCHES)			
	NOMINAL LENGTH "L"	RISE "R"	PIPE "φ"	SHIP WEIGHT
AMI-700-P	4'-0" (48)	24	2	15lbs.
AMI-701-P	6'-0" (72)	30	2	27lbs.

**NOTE:**

CATALOG NUMBERS SHOWN ARE HOT DIPPED GALVANIZED STEEL.  
FOR ALUMINUM BRACKETS ADD -A SUFFIX.  
EXAMPLE AMI-XXX-A.  
PAINTED BRACKETS SUPPLIED ON REQUEST.

## UPSWEEEP MAST ARM FOR ORNAMENTAL STEEL POLES



CATALOG # AMI-168

SIDE PROFILE

6" BRACKET ARM

**NOTES:**

- ARM IS FABRICATED FROM 2" φ PIPE WELDED TO A SINGLE BOLT SIMPLEX SHOE.  
THE SCROLL IS FABRICATED FROM 1 1/2" x 1 1/2" x 1/8" CHANNEL.
- ALL MATERIALS ARE HOT DIPPED GALVANIZED.
- (2) 1/2" x 1/2" LG. HEX HEAD CAP SCREWS (GALV.) AND (1) 1/2" x 3/4" LG. COUNTER-SUNK HEX HEAD BOLT (GALV.) IS BAGGED AND ATTACHED FOR SHIPPING.



**FLOODLIGHT BRACKETS**

FL

---

## SECTION INDEX

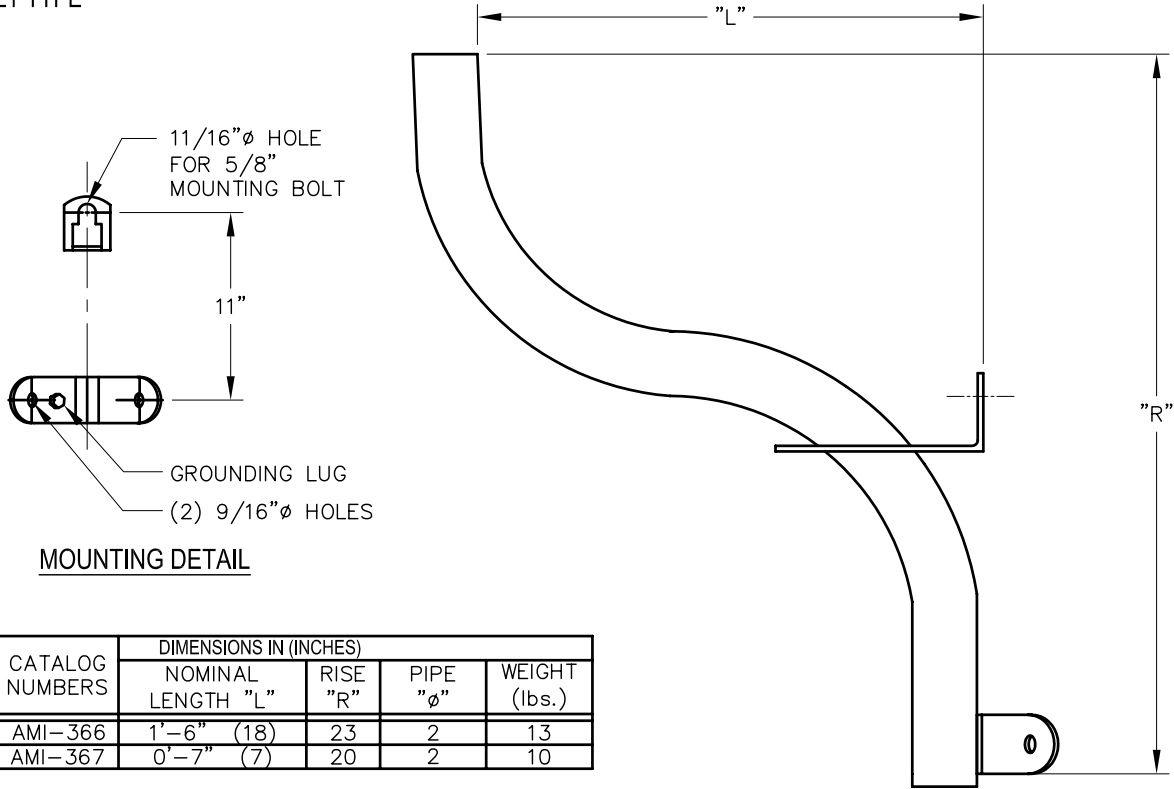
---

SINGLE FLOODLIGHT SUPPORTS.....	FL-1	DOUBLE FLOODLIGHT SUPPORTS.....	FL-5
SINGLE FLOODLIGHT SUPPORTS.....	FL-2	TRIPLE FLOODLIGHT SUPPORT.....	FL-6
SINGLE FLOODLIGHT SUPPORTS.....	FL-3	FLOODLIGHT SUPPORT.....	FL-7
SINGLE FLOODLIGHT SUPPORTS.....	FL-4		

# FLOODLIGHT BRACKETS

## SINGLE FLOODLIGHT SUPPORT

OFFSET TYPE



FL-1

MOUNTING DETAIL

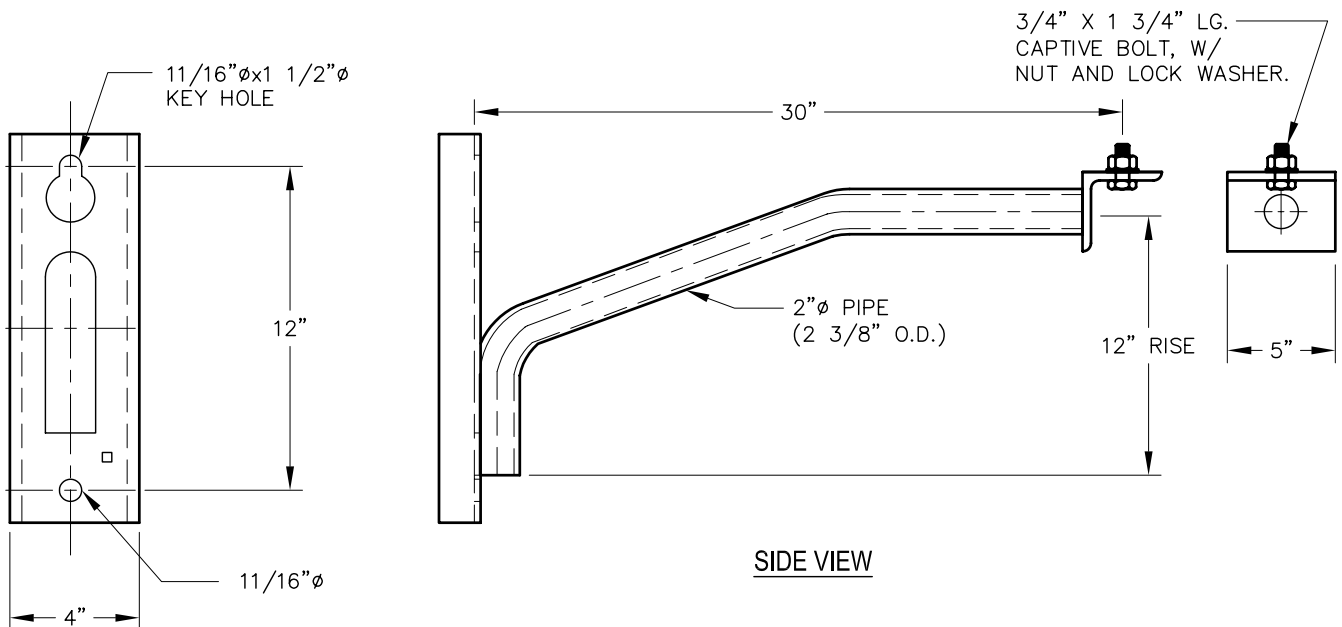
CATALOG NUMBERS	DIMENSIONS IN (INCHES)			
	NOMINAL LENGTH "L"	RISE "R"	PIPE "ø"	WEIGHT (lbs.)
AMI-366	1'-6" (18)	23	2	13
AMI-367	0'-7" (7)	20	2	10

CATALOG NUMBERS ARE FOR HOT DIPPED GALVANIZED STEEL. FOR ALUMINUM BRACKET ADD -A SUFFIX. AMI-XXX-A

PROFILE

## SINGLE FLOODLIGHT SUPPORT

FOR CONCRETE AND STEEL POLES



MOUNTING DETAIL

SIDE VIEW

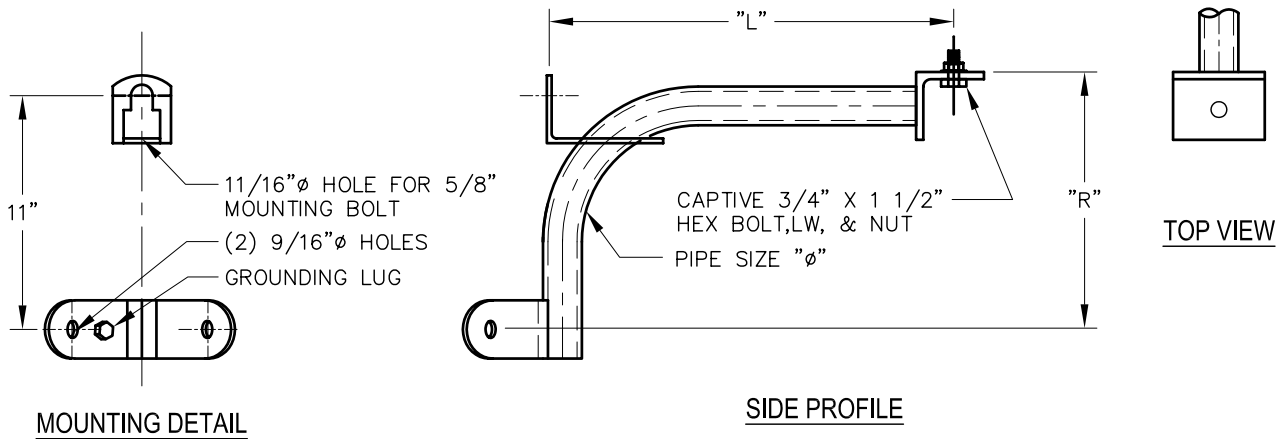
**CATALOG NUMBER AMI-628**

ADD AN -LG SUFFIX TO SPECIFY 3/8 X 1 1/4" LG CARRIAGE BOLT GROUNDING LUG, EXAMPLE AMI-XXX-LG.

# FLOODLIGHT BRACKETS

ACTION  
MFG.  
INC.

## SINGLE FLOODLIGHT SUPPORT FOR WOOD POLE MOUNTING

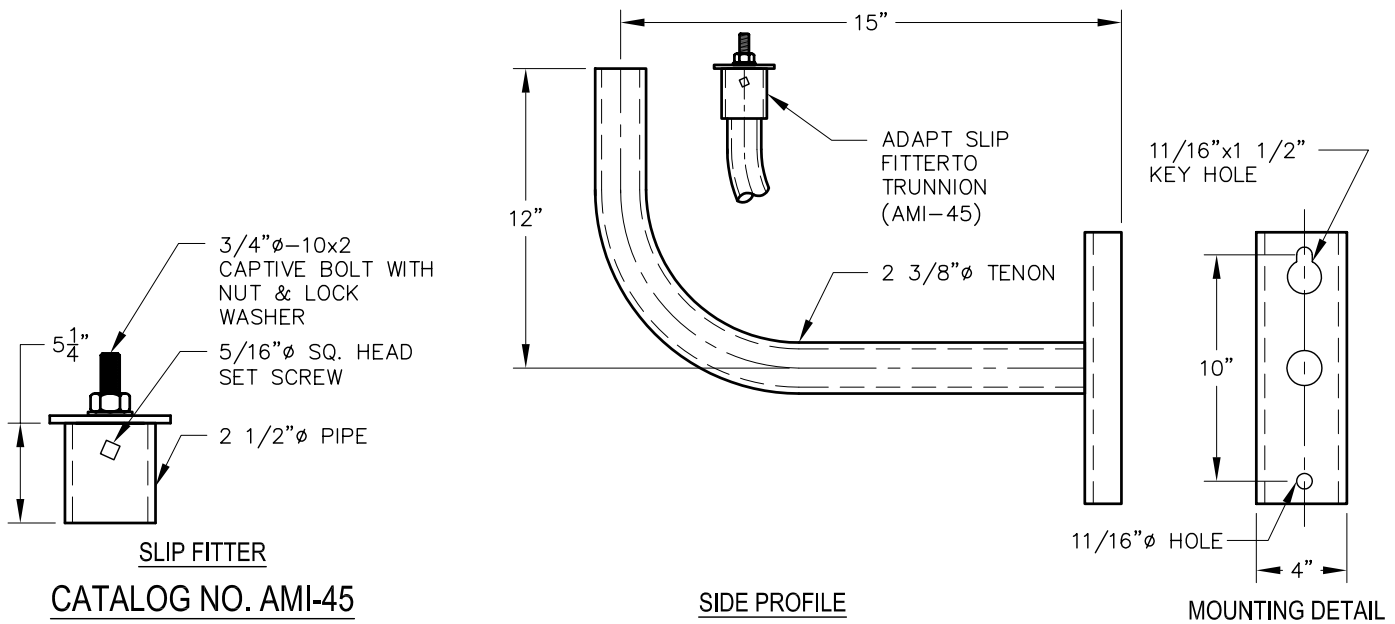


CATALOG NUMBERS	DIMENSIONS IN (INCHES)		
	NOMINAL LENGTH "L"	RISE "R"	PIPE " $\phi$ "
AMI-459	1'-3" (15)	16	1 1/4
AMI-460	1'-3" (15)	16	2
AMI-461	1'-6" (18)	16	1 1/4
AMI-462	1'-6" (18)	16	2
AMI-463	1'-8" (20)	16	1 1/4
AMI-464	1'-8" (20)	16	2

CATALOG NUMBERS	DIMENSIONS IN (INCHES)		
	NOMINAL LENGTH "L"	RISE "R"	PIPE " $\phi$ "
AMI-266	1'-8" (20)	18	2
AMI-422	1'-11 1/2" (23.5)	16	2
AMI-1148	2'-6" (30)	16	2
AMI-626	2'-0" (24)	18	2
AMI-1529	4'-0" (48)	18	2

CATALOG NUMBERS ARE FOR HOT DIPPED GALVANIZED STEEL.  
FOR ALUMINUM BRACKET ADD -A SUFFIX. AMI-XXX-A

## SINGLE FLOODLIGHT SUPPORT FOR STEEL, WOOD, OR CONCRETE POLE MOUNTING



MATERIAL - STEEL HOT DIPPED GALV.

### CATALOG NO. AMI-40

MATERIAL - STEEL HOT DIPPED GALV.

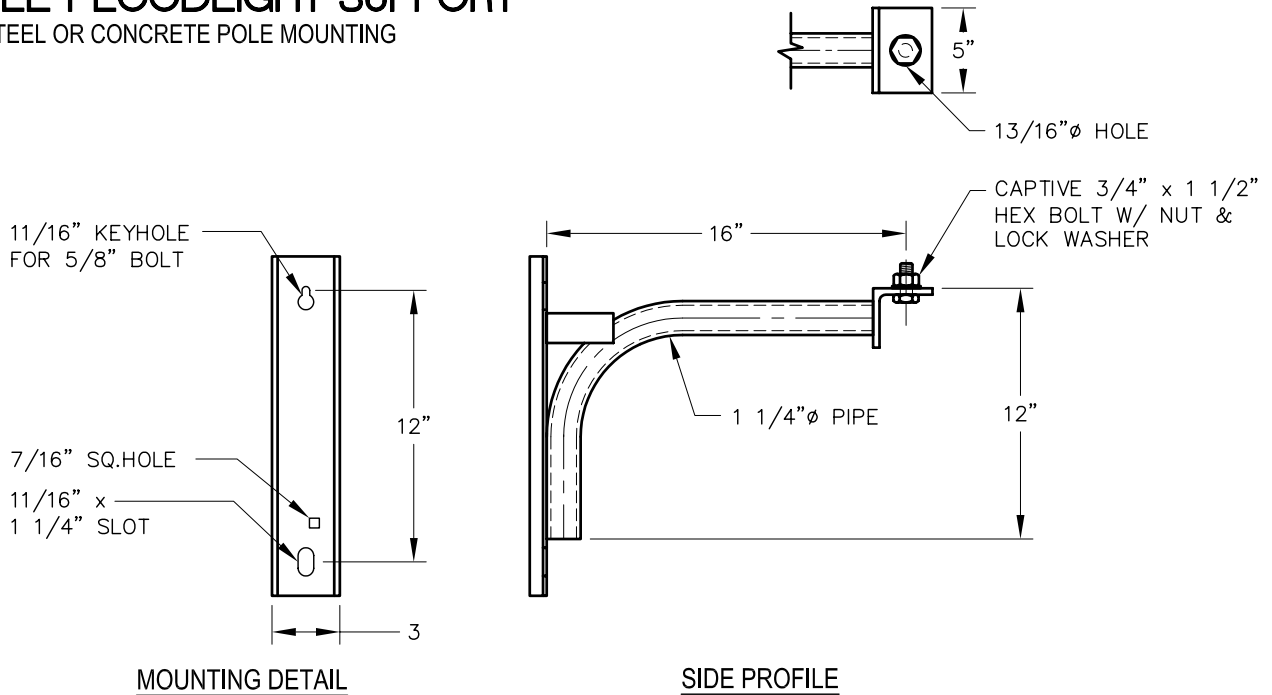
CATALOG NUMBER SHOWN IS HOT DIPPED GALVANIZED STEEL.  
FOR ALUMINUM BRACKETS ADD -A SUFFIX, EXAMPLE AMI-XXX-A.  
PAINTED BRACKETS SUPPLIED ON REQUEST.

FL-2

# FLOODLIGHT BRACKETS

## SINGLE FLOODLIGHT SUPPORT

FOR STEEL OR CONCRETE POLE MOUNTING

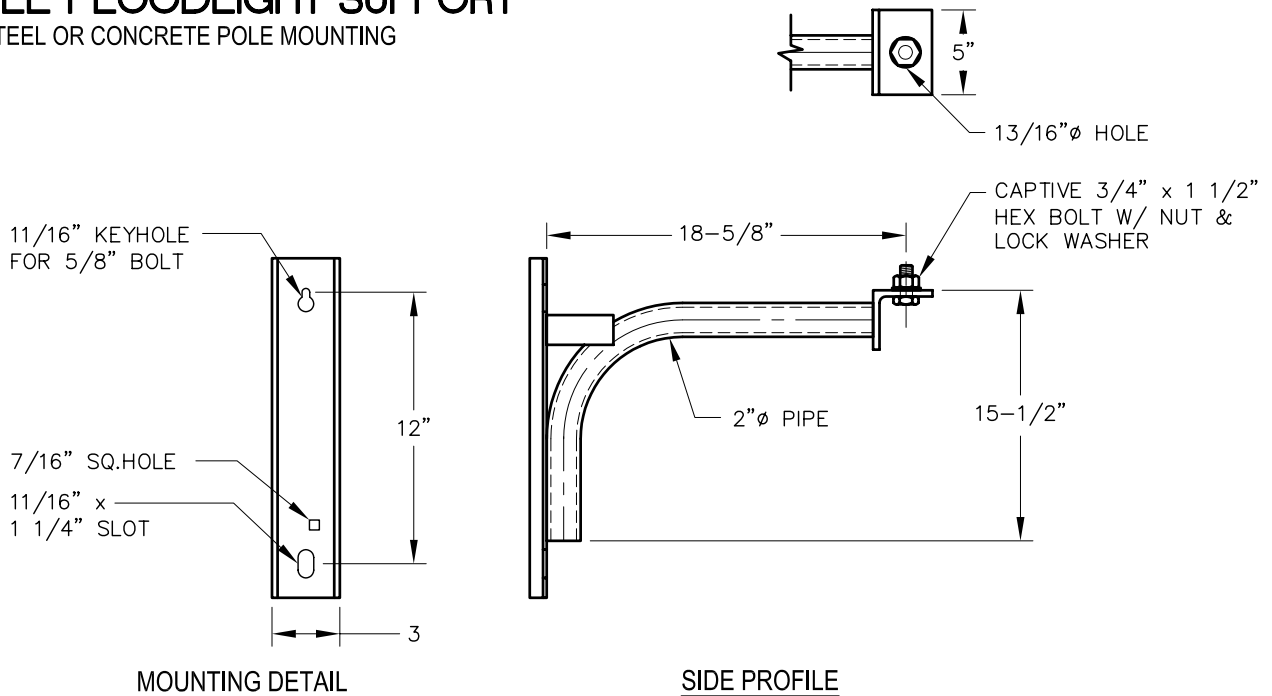


### CATALOG NO. AMI-450

CATALOG NUMBER SHOWN IS FOR HOT DIPPED GALVANIZED STEEL.  
FOR ALUMINUM BRACKET ADD -A SUFFIX, EXAMPLE AMI-XXX-A.  
PAINTED BRACKETS SUPPLIED ON REQUEST.

## SINGLE FLOODLIGHT SUPPORT

FOR STEEL OR CONCRETE POLE MOUNTING



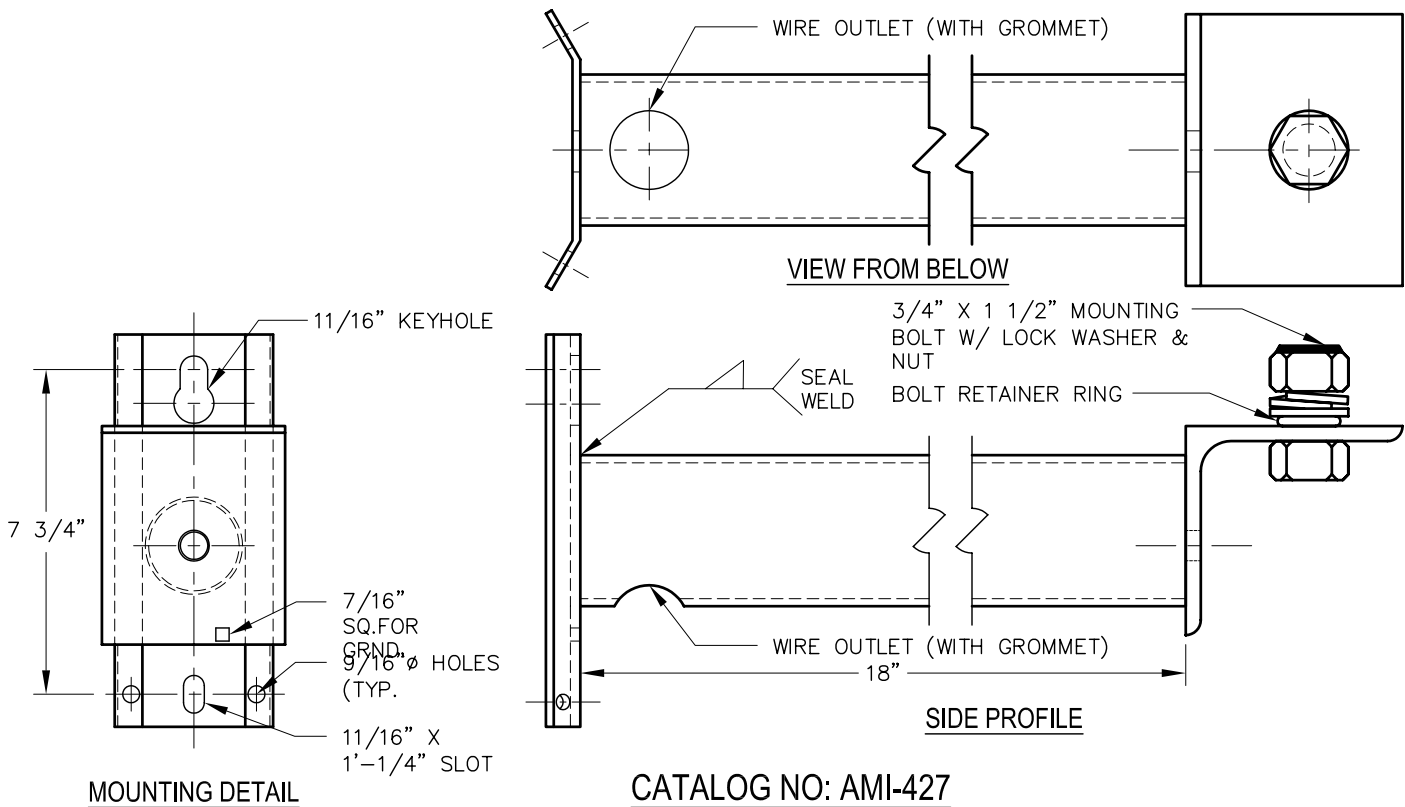
### CATALOG NO. AMI-1548

CATALOG NUMBER SHOWN IS FOR HOT DIPPED GALVANIZED STEEL.  
FOR ALUMINUM BRACKET ADD -A SUFFIX, EXAMPLE AMI-XXX-A.  
PAINTED BRACKETS SUPPLIED ON REQUEST.

# FLOODLIGHT BRACKETS

ACTION  
MFG.  
INC.

## SINGLE FLOODLIGHT SUPPORT SINGLE STRAIGHT

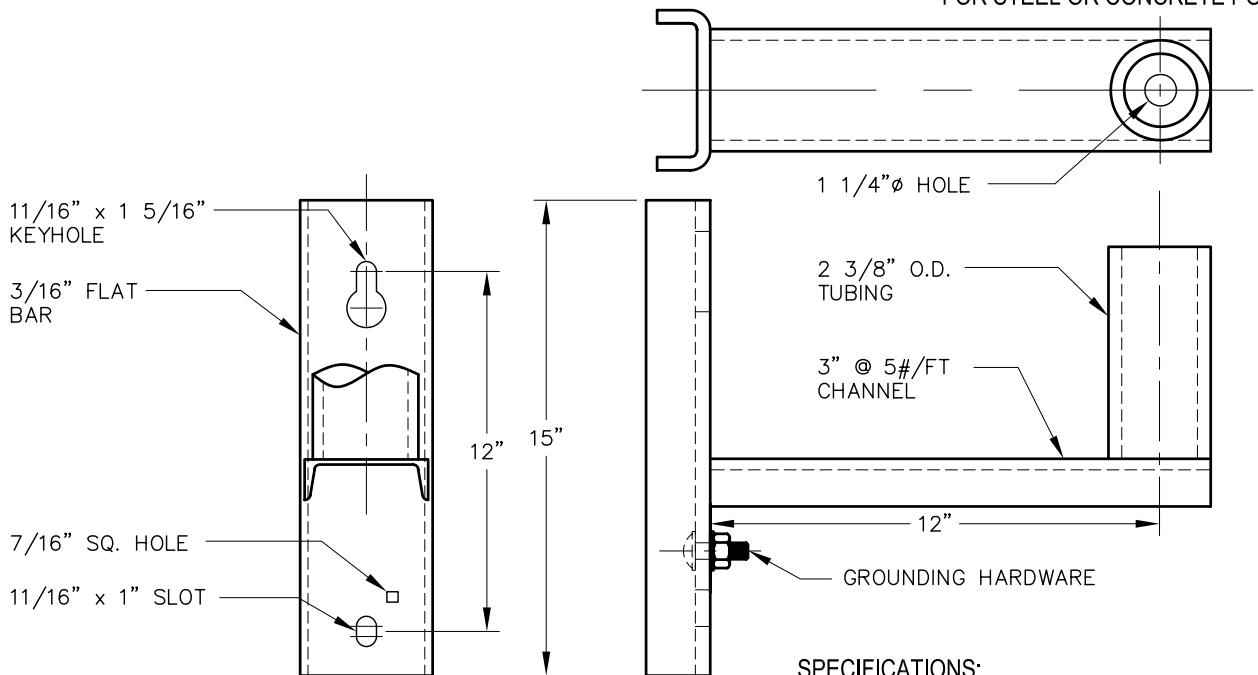


FL-4

CATALOG NO: AMI-427

CATALOG NUMBER SHOWN IS ARE FOR HOT DIPPED GALVANIZED STEEL.  
FOR ALUMINUM BRACKET ADD -A SUFFIX. AMI-XXX-A

## SINGLE FLOODLIGHT SUPPORT FOR STEEL OR CONCRETE POLE MOUNTING



CATALOG NO: AMI-423

CATALOG NUMBER SHOWN IS HOT DIPPED GALVANIZED STEEL.  
FOR ALUMINUM BRACKETS ADD -A SUFFIX, EXAMPLE AMI-XXX-A.  
PAINTED BRACKETS SUPPLIED ON REQUEST.

### SPECIFICATIONS:

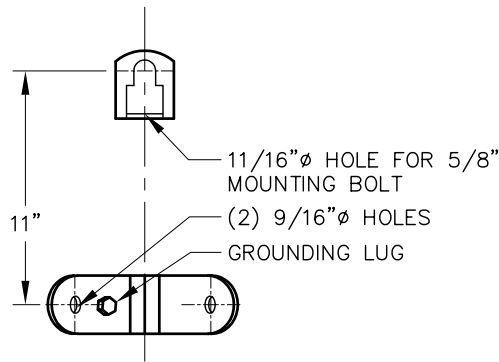
MATERIAL: STEEL A-36  
FOR ALUMINUM BRACKETS ADD -A SUFFIX.  
EXAMPLE AMI-423-A

FINISH: HOT DIPPED GALV. PER ASTM A-123  
PAINTED BRACKETS SUPPLIED ON REQUEST.

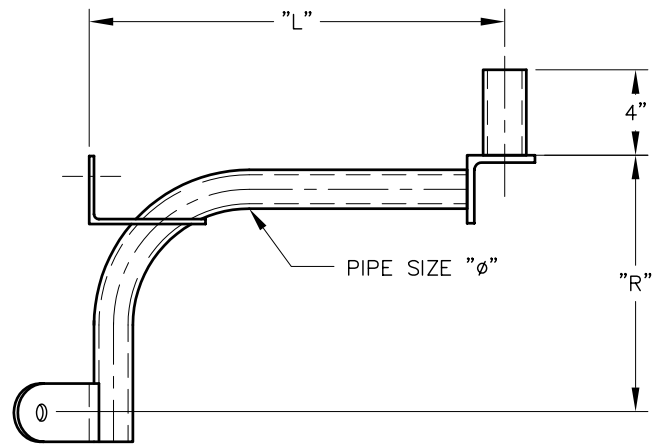
HARDWARE: 3/8"x 1 1/4" CARRIAGE BOLT, HEX NUT,  
FLAT WASHER, & BONDING CLIP

# FLOODLIGHT BRACKETS

## DOUBLE FLOODLIGHT SUPPORT FOR WOOD POLE MOUNTING



MOUNTING DETAIL

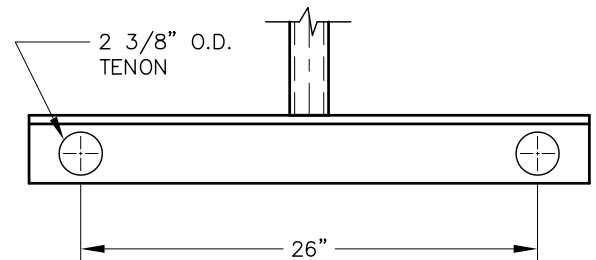


SIDE PROFILE

FL-5

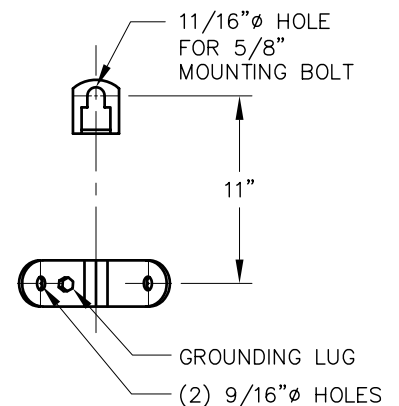
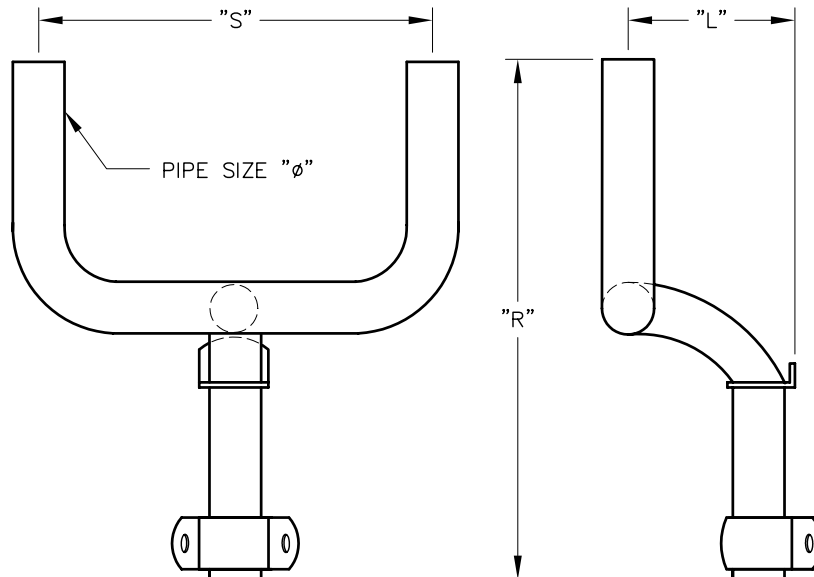
CATALOG NUMBERS	DIMENSIONS IN (INCHES)		
	NOMINAL LENGTH "L"	RISE "R"	PIPE " $\phi$ "
AMI-903	1'-3" (15)	18	2
AMI-904	1'-6" (18)	18	2
AMI-905	1'-8" (20)	18	2
AMI-906	2'-0" (24)	18	2
AMI-907	2'-6" (30)	18	2
AMI-908	4'-0" (48)	18	2

CATALOG NUMBERS ARE FOR HOT DIPPED GALVANIZED STEEL.  
FOR ALUMINUM BRACKET ADD -A SUFFIX. AMI-XXX-A



TOP VIEW

## DOUBLE FLOODLIGHT SUPPORT FOR WOOD POLE MOUNTING



MOUNTING DETAIL

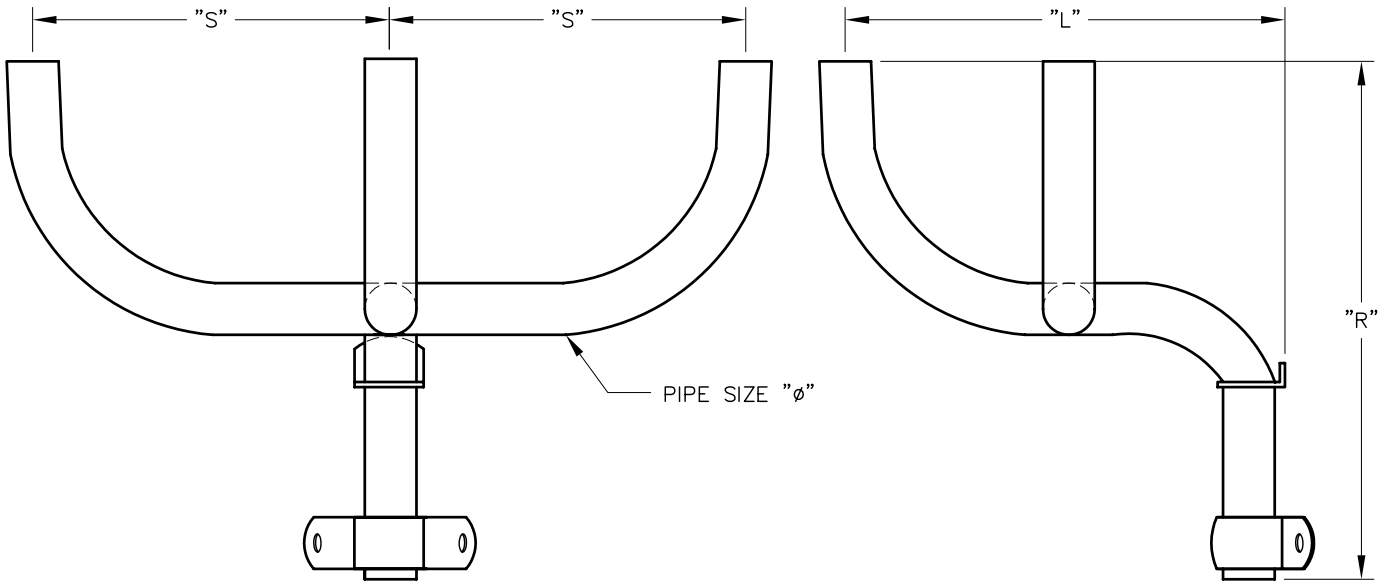
CATALOG NUMBERS	DIMENSIONS IN (INCHES)				
	NOMINAL LENGTH "L"	RISE "R"	SPAN "S"	PIPE " $\phi$ "	WEIGHT (lbs.)
AMI-397	1'-6" (18)	25	24	2	20
AMI-398	0'-7" (7)	25	30	2	24
AMI-399	0'-7" (7)	25	24	2	22
AMI-400	0'-7" (7)	25	30	2	26
AMI-1008	0'-7" (7)	25	30	2	30

CATALOG NUMBERS ARE FOR HOT DIPPED GALVANIZED STEEL.  
FOR ALUMINUM BRACKET ADD -A SUFFIX. AMI-XXX-A

# FLOODLIGHT BRACKETS

ACTION  
MFG.  
INC.

## TRIPLE FLOODLIGHT SUPPORT FOR WOOD POLE MOUNTING

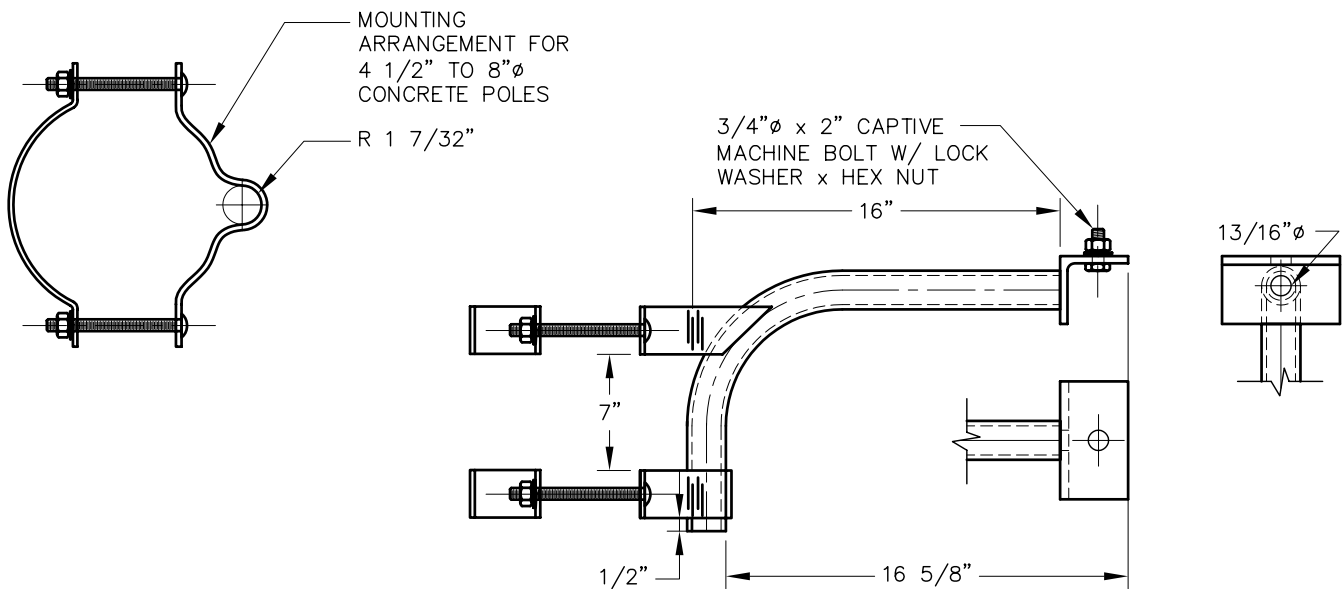


FL-6

CATALOG NUMBERS	DIMENSIONS IN (INCHES)				WEIGHT (lbs.)	FINISH
	NOMINAL LENGTH "L"	RISE "R"	SPAN "S"	PIPE "φ"		
AMI-401	23 1/2	25	30	2	38	PAINTED
AMI-402	23 1/2	25	30	2	41	HOT DIPPED GALV.

CATALOG NUMBERS ARE FOR STEEL. FOR ALUMINUM BRACKET ADD -A SUFFIX. AMI-XXX-A

## FLOODLIGHT SUPPORT



CATALOG NO. AMI-1035

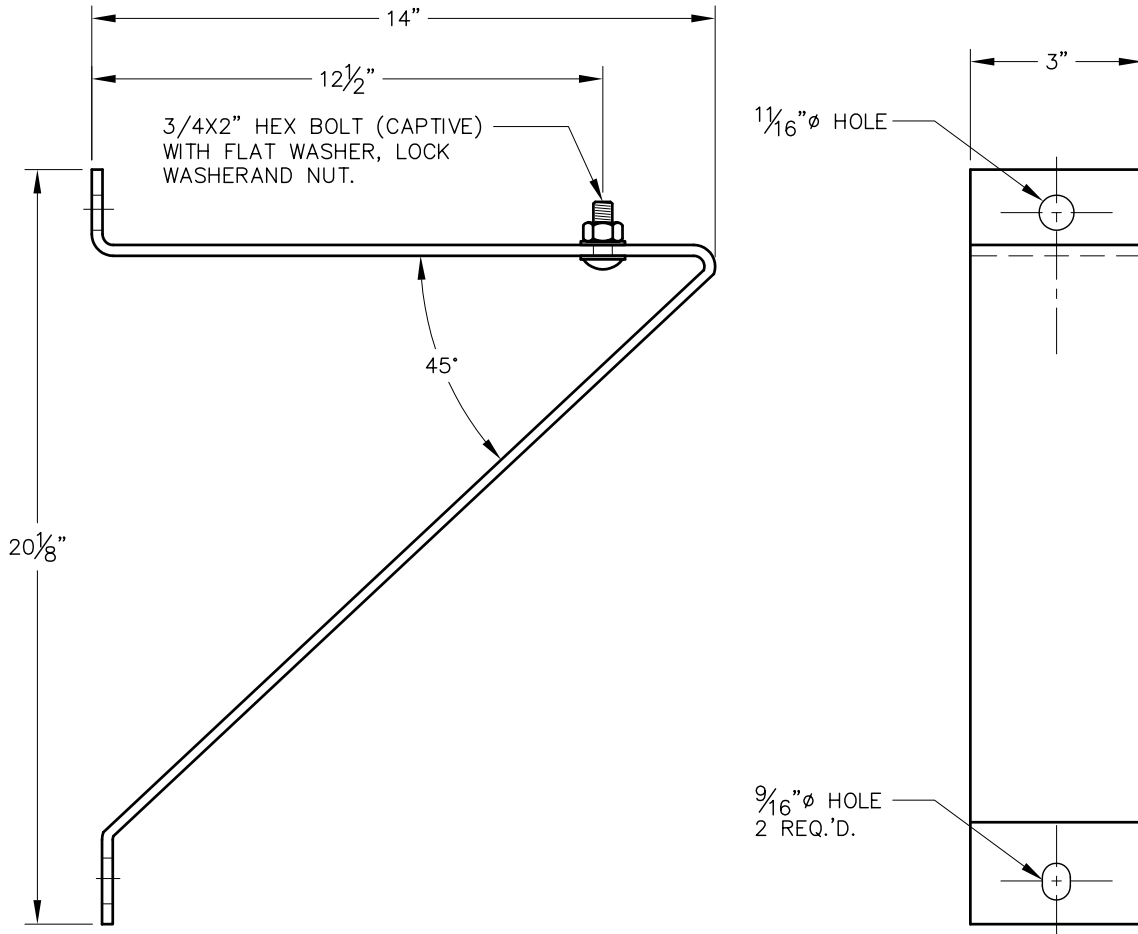
### SPECIFICATIONS

1. MATERIAL: HOT ROLLED STEEL
2. FINISH: HOT DIPPED GALVANIZED

# FLOODLIGHT BRACKETS

## FLOODLIGHT SUPPORT (ANGLE TYPE)

FL-7



CATALOG NO. AMI-1470

SPECIFICATIONS:

MATERIAL : CONSTRUCTED OF 1/4" x 3" H.R. STEEL.  
HARDWARE : STEEL, HOT DIP GALVANIZED.  
FINISHED : HOT DIP GALVANIZED AFTER FABRICATION.

NOTE:

MOUNTING HOLES TO BE DRILLED AND TAPPED 11/16" TO  
RECEIVED A 5/8" BOLT.



## INSULATOR BRACKETS

IB

---

### SECTION INDEX

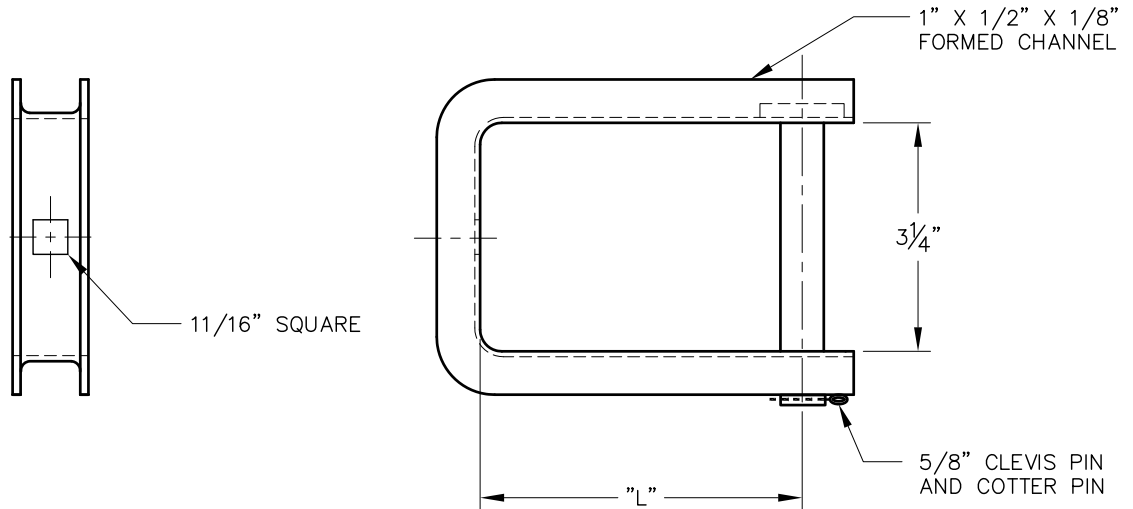
---

CLEVISES .....	IB-1	POST INSULATOR BRACKETS .....	IB-3
SECOND EXTENSION CLEVIS .....	IB-2	POST INSULATOR BRACKETS .....	IB-4
POST INSULATOR BRACKET .....	IB-2	POST INSULATOR BRACKETS .....	IB-5

# INSULATOR BRACKETS

## CLEVIS

CLEVIS IS FROM CHANNEL STEEL MAKING IT HEAVIER AND STRONGER THAN SIMILAR BRACKETS. MOUNT WITH 5/8" DIAMETER MOUNTING BOLT.



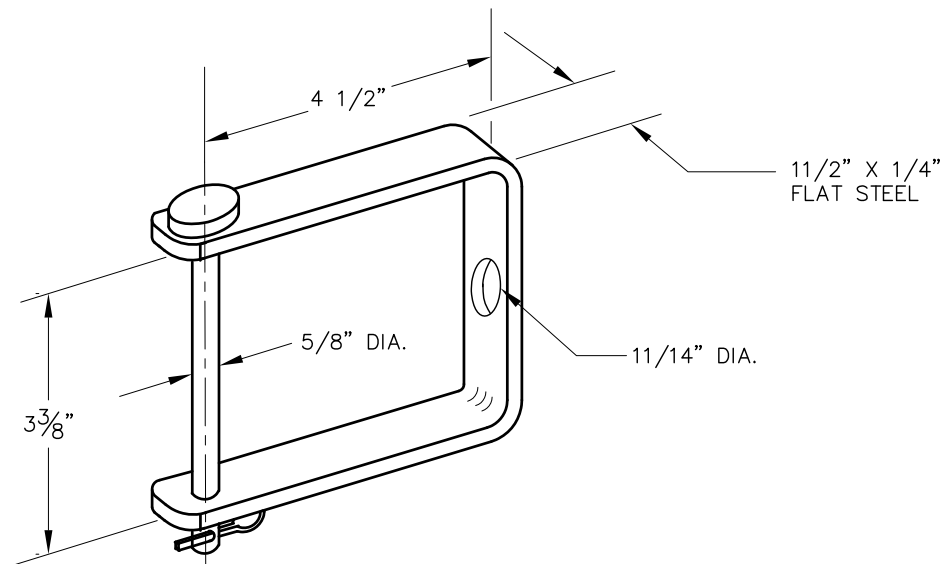
MOUNTING DETAIL

SIDE PROFILE

CATALOG NO. AMI-339

## CLEVIS

FOR SECONDARY TAKE-OFFS OR DEADING AT POLE OR CROSSARM.



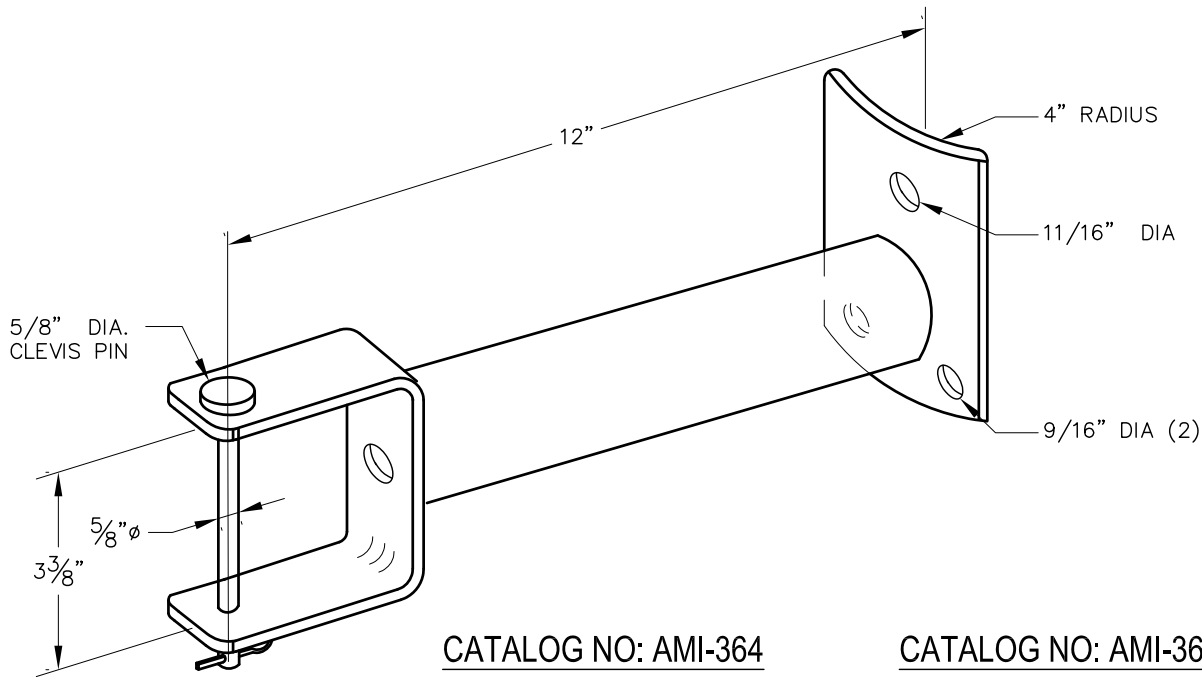
SIDE PROFILE

CATALOG NO. AMI-340

CATALOG NUMBER SHOWN IS FOR HOT DIPPED GALVANIZED STEEL.  
FOR ALUMINUM BRACKETS ADD -A SUFFIX, EXAMPLE AMI-XXX-A.

## SECOND EXTENSION CLEVIS

PROVIDES A GREATER CLEARANCE BETWEEN SECONDARY CONNECTORS AND EQUIPMENT.



**CATALOG NO: AMI-364**

**SPECIFICATIONS:**

MATERIAL: H.R. STEEL  
FINISH: HOT DIP GALVANIZED  
CLEVIS PIN: H.D.G. STEEL COTTER  
KEY: STAINLESS STEEL

**CATALOG NO: AMI-365**

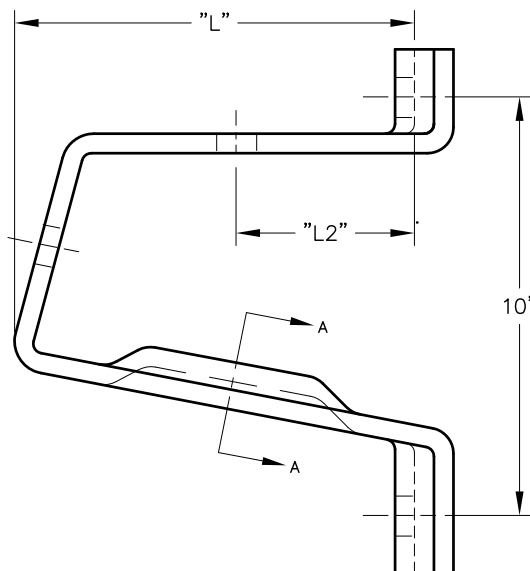
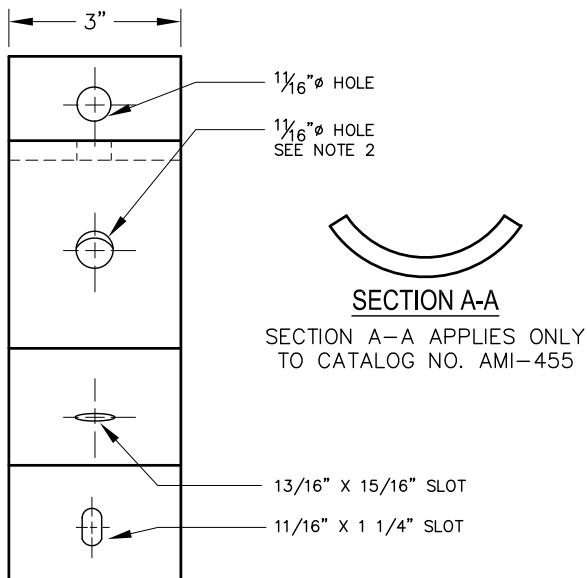
**SPECIFICATIONS:**

MATERIAL: 6061-T6 ALUMINUM ALLOY  
FINISH: AS IS  
CLEVIS PIN: H.D.G. STEEL COTTER  
KEY: STAINLESS STEEL

IB-2

## POST INSULATOR BRACKET

FOR MOUNTING TYPE INSULATORS FOR 15KV TO 34.5KV



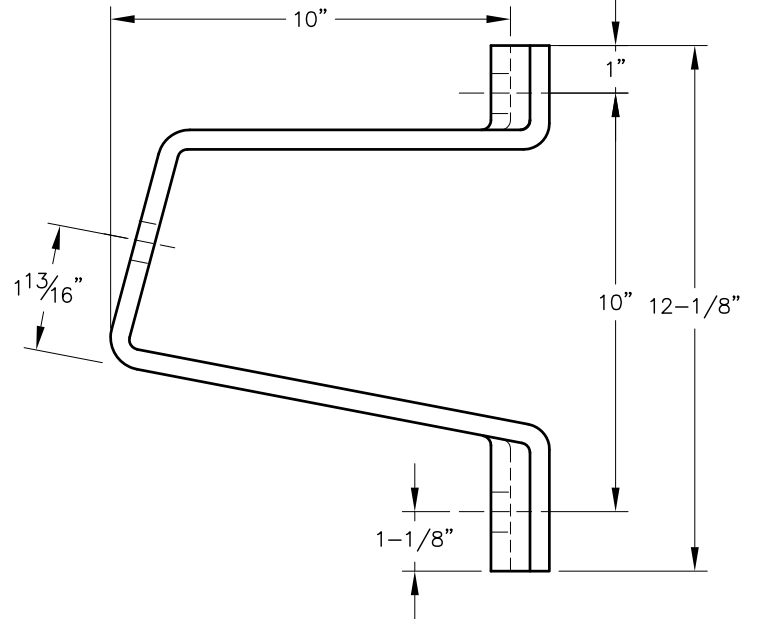
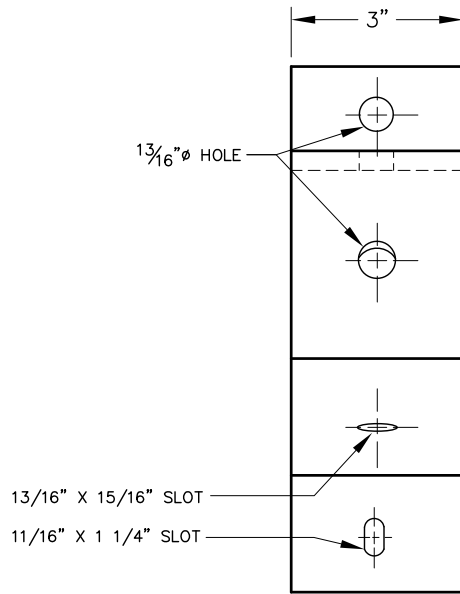
- 1) CURVED BASE FOR MOUNTING ON ROUND POLES IS STANDARD. IF FLAT BASE IS REQUIRED, SPECIFY BY ADDING SUFFIX -F TO CATALOG NUMBER (EXAMPLE: AMI-451-F).
- 2) NORMALLY SUPPLIED WITH 11/16" DIA. HOLE. FOR 13/16" DIA. HOLE ADD SUFFIX -G TO CATALOG NUMBER (EXAMPLE: AMI-451-G).
- 3) TO SPECIFY GROUNDING DEVICE AND SUFFIX -B TO CATALOG NUMBER (EXAMPLE: AMI-451-B).

CATALOG NUMBERS	DIMENSIONS IN (INCHES)				
	NOMINAL LENGTH "L"	LENGTH "L2"	KV RATING	N. lbs. RATING	WEIGHT lbs./C
AMI-451	2 1/2	----	27	16,500	440lbs.
AMI-452	5	2 1/2	27	16,500	575lbs.
AMI-453	7 1/2	2 1/2	27	16,500	710lbs.
AMI-454	10	2 1/2	27	16,500	840lbs.
AMI-455	10	3 1/8	27	16,500	840lbs.

# INSULATOR BRACKETS

## POST INSULATOR BRACKET

FOR MOUNTING TYPE INSULATORS FOR 15KV TO 34.5KV



CATALOG NO: AMI-489

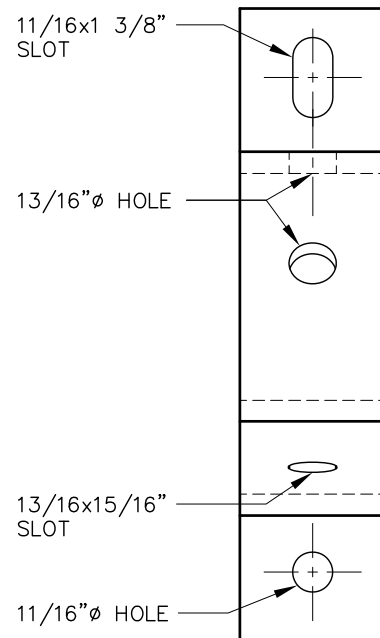
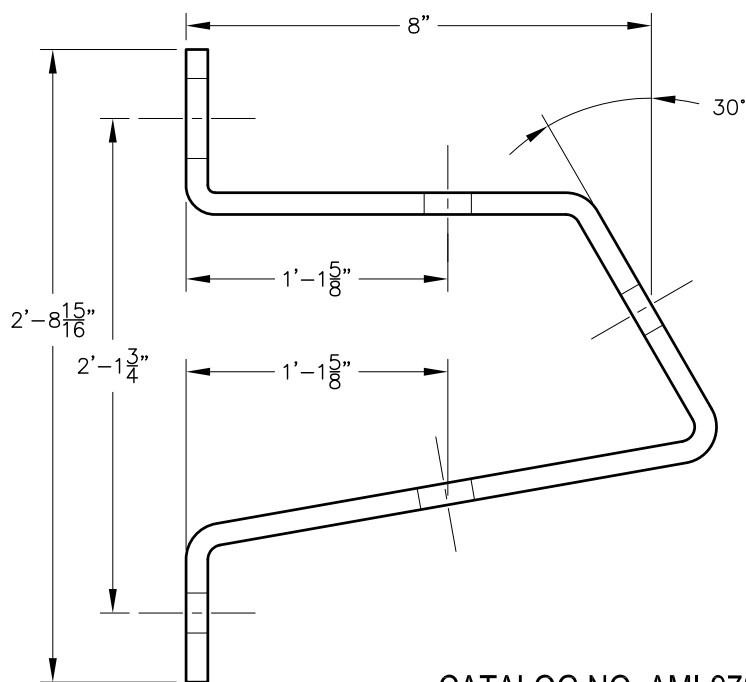
### SPECIFICATIONS:

MATERIAL : CONSTRUCTED OF  $\frac{5}{16}$ " X 3" H.R.  
STEEL FINISH: HOT DIP GALVANIZED.

IB-3

## POST INSULATOR BRACKET

FOR MOUNTING TYPE INSULATORS FOR 15KV TO 34.5KV



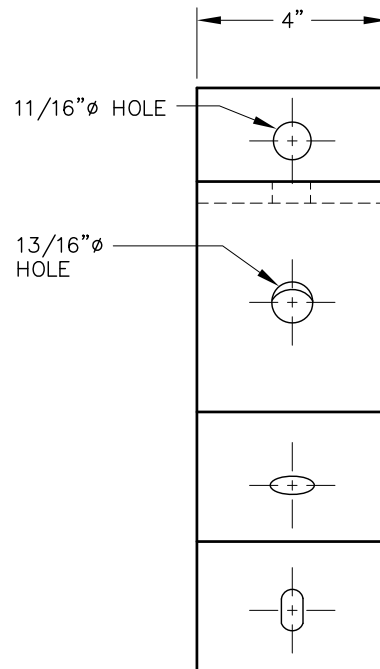
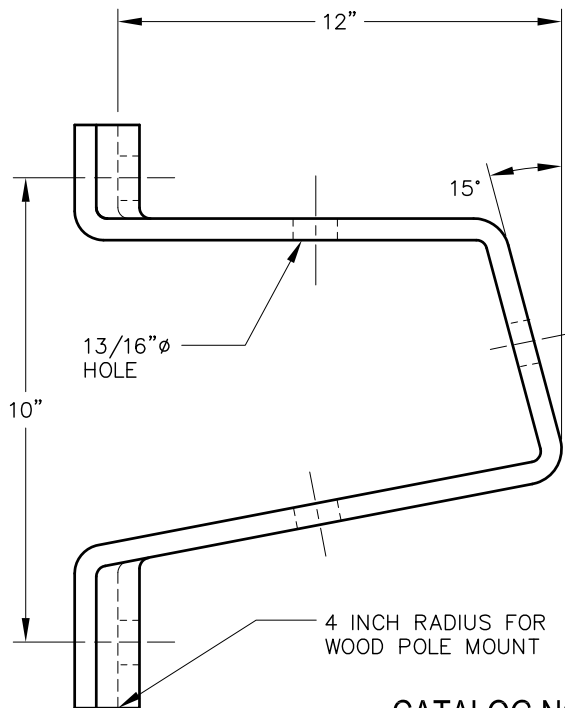
CATALOG NO: AMI-978

### SPECIFICATIONS

MATERIAL: CONSTRUCTED OF  $\frac{5}{16}$ " X 2  $\frac{1}{2}$ " H.R. STEEL

# INSULATOR BRACKETS

## POST INSULATOR BRACKET FOR MOUNTING TYPE INSULATORS FOR 15KV TO 34.5KV



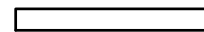
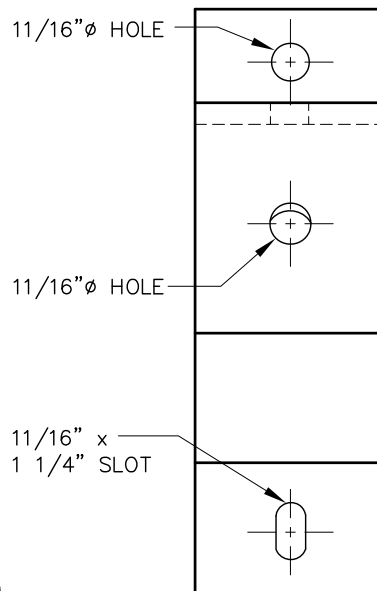
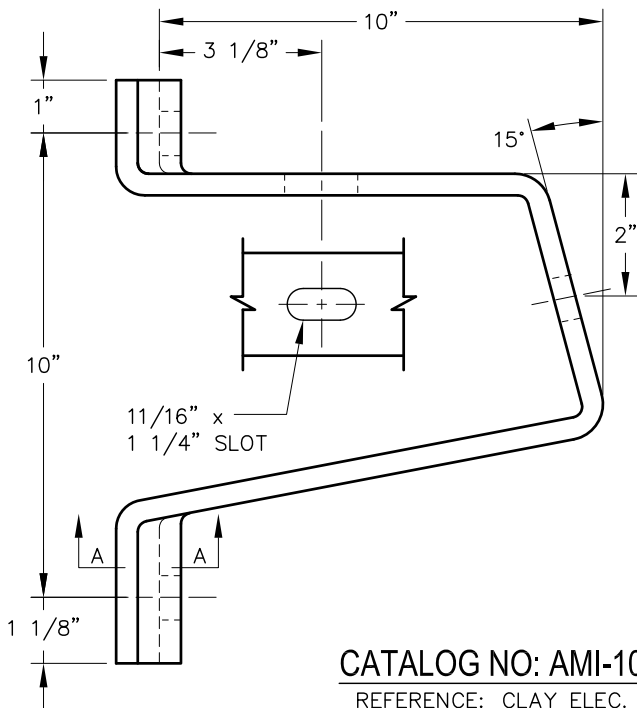
**CATALOG NO: AMI-1005**

### SPECIFICATIONS

1. MATERIAL: 3/8" THICK ASTM A-36 STEEL
2. FINISH: HOT DIPPED GALVANIZED

IB-4

## LINE POST INSULATOR BRACKET



**SECTION A-A**  
**AMI-1040-F**  
**FLAT**



**4 INCH RADIUS FOR**  
**WOOD POLE MOUNT**

**SECTION A-A**  
**AMI-1040**  
**CURVED**

**CATALOG NO: AMI-1040**

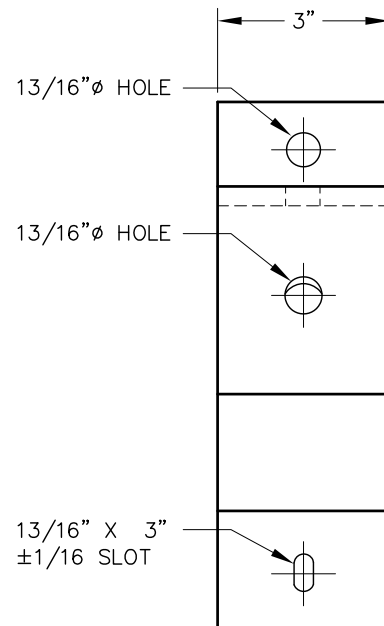
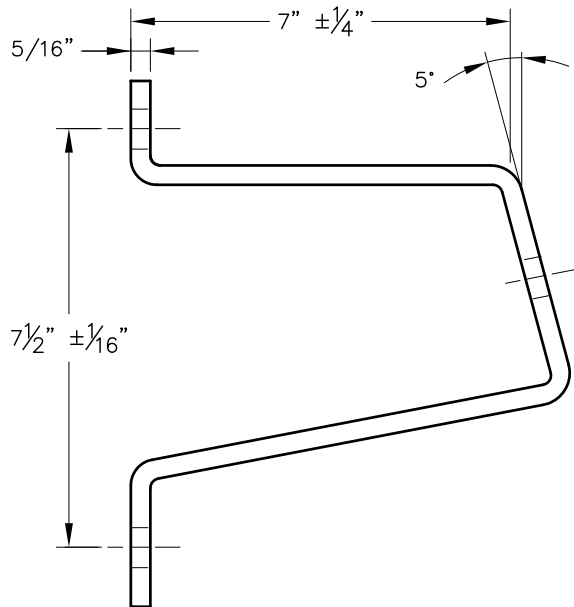
REFERENCE: CLAY ELEC. 03-26-0600

### SPECIFICATIONS

1. MATERIAL: 5/16" x 3" H.R. STEEL
2. FINISH: HOT DIPPED GALVANIZED (PER ASTM A-153)
3. ADD SUFFIX -G FOR 13/16" INSULATOR MOUNTING HOLE
3. ADD SUFFIX -F FOR FLAT MOUNTING SURFACE

# INSULATOR BRACKETS

## POST INSULATOR BRACKET FOR MOUNTING TYPE INSULATORS FOR 15KV TO 34.5KV



IB-5

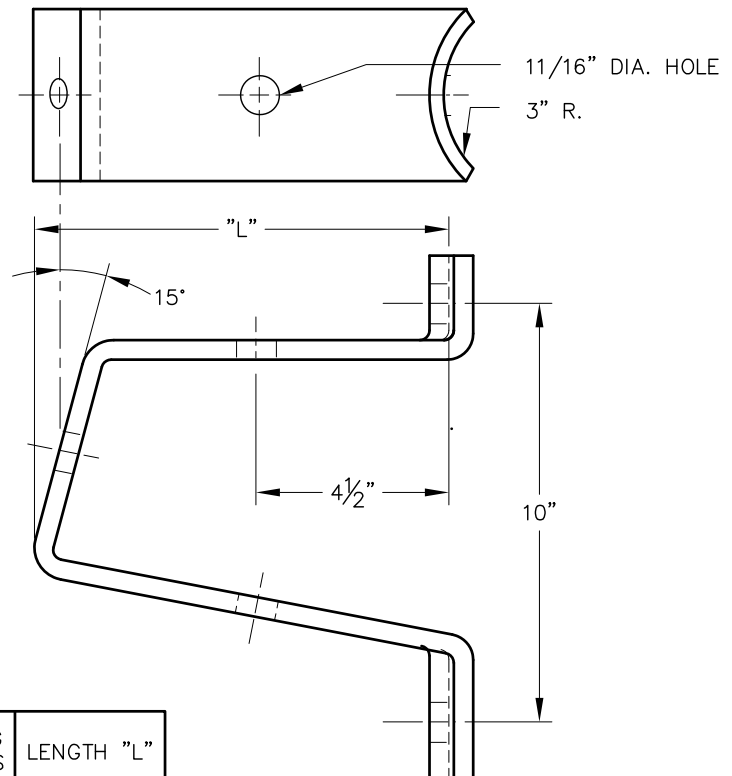
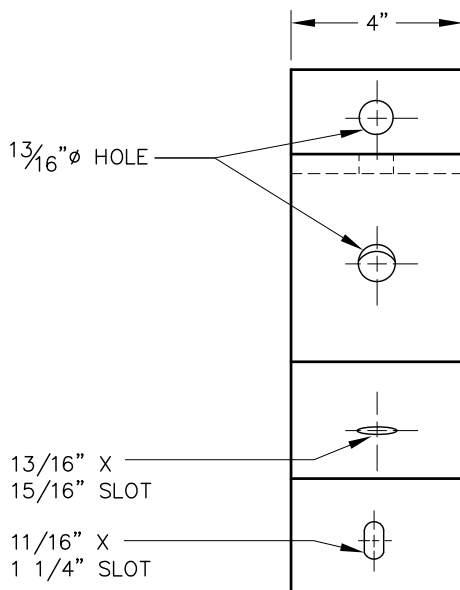
CATALOG NO. AMI-1098

REFERENCE: M&S#141-24802-1

**SPECIFICATIONS:**

MATERIAL : CONSTRUCTED OF 5/16" X 3" H.R.  
STEEL FINISH: HOT DIP GALVANIZED.

## POST INSULATOR BRACKET FOR MOUNTING TYPE INSULATORS FOR 15KV TO 34.5KV



CATALOG NUMBERS	LENGTH "L"
AMI-357	0'-9" (9")
AMI-358	1'-3" (15")

**SPECIFICATIONS:**

MATERIAL : HOT ROLLED STEEL  
FINISH: HOT DIP GALVANIZED.



## POLE TOP BRACKETS

PT

### SECTION INDEX

<b>SPOKE BRACKETS</b> .....	<b>PT-1</b>	<b>FOUR-WAY BULLHORN ARMS</b> .....	<b>PT-8</b>
FOR POLE TOP MOUNTING		FOR POLE TOP MOUNTING	
<b>UPSWEPT BRACKETS</b> .....	<b>PT-2</b>	<b>SINGLE MAST ARM</b> .....	<b>PT-9</b>
FOR WOOD POLE MOUNTING		FOR POLE TOP MOUNTING	
<b>SPOKE BRACKETS</b> .....	<b>PT-3</b>	<b>TWO WAY MAST ARM</b> .....	<b>PT-9</b>
FOR POLE TOP MOUNTING		FOR POLE TOP MOUNTING	
<b>WRAP AROUND BRACKET</b> .....	<b>PT-4</b>	<b>THREE WAY MAST ARM</b> .....	<b>PT-10</b>
FOR 10"Ø-13"Ø POLE MOUNTING		FOR POLE TOP MOUNTING	
<b>POLE TOP MOUNT</b> .....	<b>PT-4</b>	<b>FOUR WAY MAST ARM</b> .....	<b>PT-10</b>
FOR SQUARE METAL POLES		FOR POLE TOP MOUNTING	
<b>TWO-WAY BULLHORN ARMS</b> .....	<b>PT-5</b>	<b>SINGLE UPSWEEP MAST ARM</b> .....	<b>PT-11</b>
FOR POLE TOP MOUNTING		FOR POLE TOP MOUNTING	
<b>THREE-WAY BULL HORN ARMS</b> .....	<b>PT-6</b>	<b>TWO WAY UPSWEEP MAST ARM</b> .....	<b>PT-11</b>
FOR POLE TOP MOUNTING		FOR POLE TOP MOUNTING	
<b>THREE-WAY BULL HORN ARMS</b> .....	<b>PT-7</b>		
FOR POLE TOP MOUNTING			

# POLE TOP BRACKETS

## SPOKE BRACKETS FOR POLE TOP MOUNTING

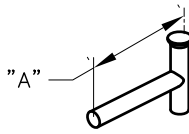


FIGURE 1

CAT. #	FIG.#	NUMBER ARMS	A	WT. LBS.
AMI-216	1	1	8"	6
AMI-217	1	1	12"	7
AMI-218	1	1	15"	8
AMI-219	1	1	24"	12
AMI-220	1	1	30"	13
AMI-221	1	1	36"	15

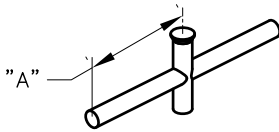


FIGURE 2

CAT. #	FIG.#	NUMBER ARMS	A	WT. LBS.
AMI-222	2	2 @ 180°	8"	9
AMI-223	2	2 @ 180°	12"	10
AMI-224	2	2 @ 180°	15"	12
AMI-225	2	2 @ 180°	24"	18
AMI-226	2	2 @ 180°	30"	21
AMI-227	2	2 @ 180°	36"	24

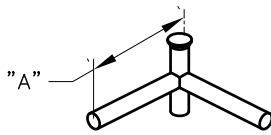


FIGURE 3

CAT. #	FIG.#	NUMBER ARMS	A	WT. LBS.
AMI-228	3	2 @ 90°	8"	9
AMI-229	3	2 @ 90°	12"	10
AMI-230	3	2 @ 90°	15"	12
AMI-231	3	2 @ 90°	24"	18
AMI-232	3	2 @ 90°	30"	21
AMI-233	3	2 @ 90°	36"	24

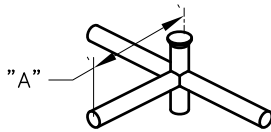


FIGURE 4

CAT. #	FIG.#	NUMBER ARMS	A	WT. LBS.
AMI-234	4	3 @ 90°	8"	12
AMI-235	4	3 @ 90°	12"	13
AMI-236	4	3 @ 90°	15"	16
AMI-237	4	3 @ 90°	24"	26
AMI-238	4	3 @ 90°	30"	30
AMI-239	4	3 @ 90°	36"	35

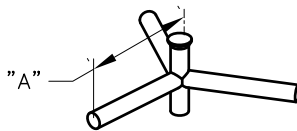


FIGURE 5

CAT. #	FIG.#	NUMBER ARMS	A	WT. LBS.
AMI-240	5	3 @ 120°	8"	12
AMI-241	5	3 @ 120°	12"	13
AMI-242	5	3 @ 120°	15"	16
AMI-243	5	3 @ 120°	24"	26
AMI-244	5	3 @ 120°	30"	30
AMI-245	5	3 @ 120°	36"	35

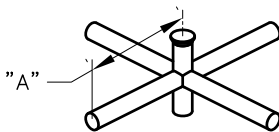


FIGURE 6

CAT. #	FIG.#	NUMBER ARMS	A	WT. LBS.
AMI-246	6	4 @ 90°	8"	16
AMI-247	6	4 @ 90°	12"	21
AMI-248	6	4 @ 90°	15"	24
AMI-249	6	4 @ 90°	24"	32
AMI-250	6	4 @ 90°	30"	39
AMI-251	6	4 @ 90°	36"	46

CATALOG NUMBERS SHOWN ARE HOT DIPPED GALVANIZED STEEL.  
FOR ALUMINUM BRACKETS ADD -A SUFFIX. EXAMPLE AMI-XXX-A.  
PAINTED BRACKETS SUPPLIED ON REQUEST.

# POLE TOP BRACKETS

ACTION  
MFG.  
INC.

## UPSWEEEP BRACKETS FOR WOOD POLE MOUNTING

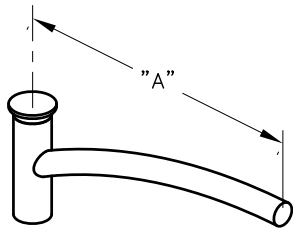


FIGURE 1

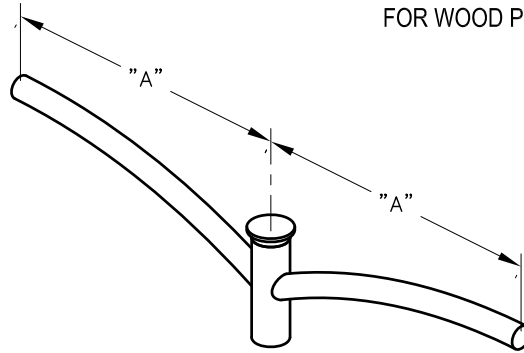


FIGURE 2

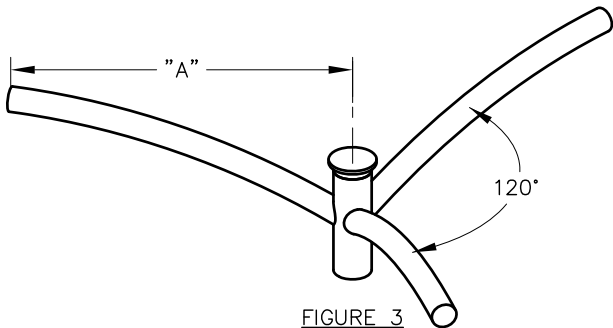


FIGURE 3

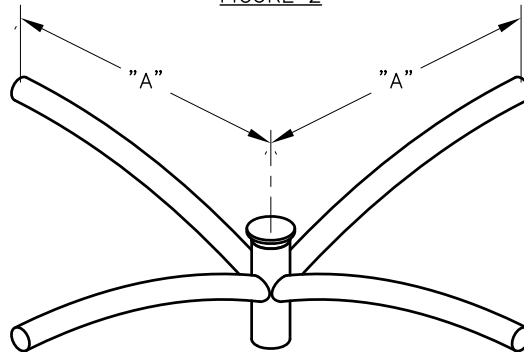


FIGURE 4

PT-2

SHIPPED WITH REMOVABLE CAP AND (3) SET SCREWS

CAT. #	FIG.#	NUMBER TENSIONS	A	B	POLE TENSION SIZE	WT. LBS.
AMI-195	1	1	48"	24"	2 3/8"	21
AMI-196	1	1	48"	24"	2 7/8"	22
AMI-197	1	1	48"	24"	4"	25
AMI-198	1	1	72"	24"	2 3/8"	28
AMI-199	1	1	72"	24"	2 7/8"	29
AMI-200	1	1	72"	24"	4"	33
AMI-201	2	2 @ 180°	48"	24"	2 3/8"	39
AMI-202	2	2 @ 180°	48"	24"	2 7/8"	40
AMI-203	2	2 @ 180°	48"	24"	4"	42
AMI-204	2	2 @ 180°	72"	24"	2 3/8"	52
AMI-205	2	2 @ 180°	72"	24"	2 7/8"	53
AMI-206	2	2 @ 180°	72"	24"	4"	57
AMI-207	3	3 @ 120°	48"	24"	2 3/8"	57
AMI-208	3	3 @ 120°	48"	24"	2 7/8"	58
AMI-209	3	3 @ 120°	48"	24"	4"	60
AMI-210	3	3 @ 120°	72"	24"	2 3/8"	76
AMI-211	3	3 @ 120°	72"	24"	2 7/8"	77
AMI-212	3	3 @ 120°	72"	24"	4"	81
AMI-213	4	4 @ 90°	48"	24"	2 3/8"	75
AMI-214	4	4 @ 90°	48"	24"	2 7/8"	76
AMI-215	4	4 @ 90°	48"	24"	4"	78

CATALOG NUMBERS SHOWN ARE HOT DIPPED GALVANIZED STEEL.  
FOR ALUMINUM BRACKETS ADD -A SUFFIX. EXAMPLE AMI-XXX-A.  
PAINTED BRACKETS SUPPLIED ON REQUEST.

# POLE TOP BRACKETS

## SPOKE BRACKETS FOR POLE TOP MOUNTING

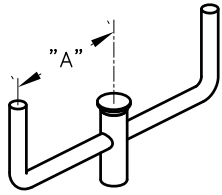


FIGURE 1

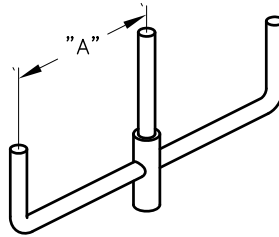


FIGURE 2

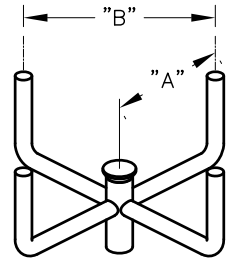


FIGURE 3

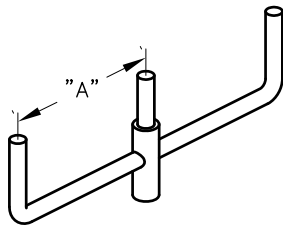


FIGURE 4

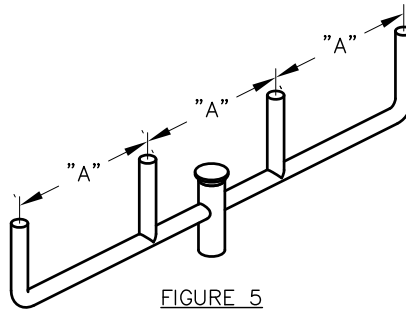


FIGURE 5

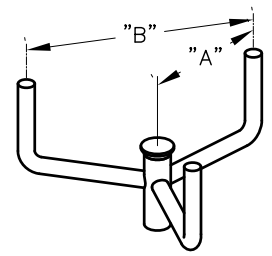


FIGURE 6

PT-3

SHIPPED WITH REMOVABLE CAP AND MOUNTING HARDWARE ASSEMBLED

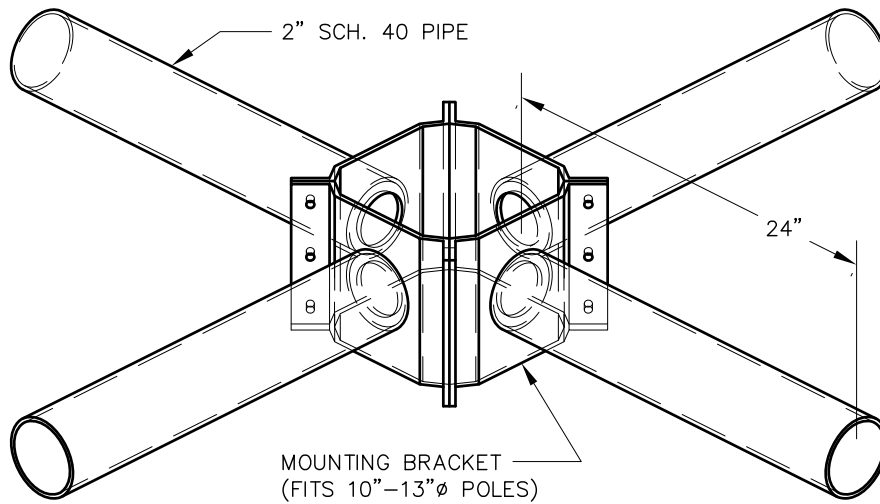
CAT. #	FIG.#	NUMBER TENSIONS	A	B	POLE TENSION SIZE	WT. LBS.
AMI-174	1	2	30"	----	2 3/8"	21
AMI-175	1	2	30"	----	2 7/8"	23
AMI-176	1	2	30"	----	4"	26
AMI-177	1	2	36"	----	2 3/8"	23
AMI-178	1	2	36"	----	2 7/8"	25
AMI-179	1	2	36"	----	4"	28
AMI-180	2	3	30"	----	2 3/8"	30
AMI-181	2	3	30"	----	2 7/8"	31
AMI-182	2	3	30"	----	4"	40
AMI-183	3	4	24"	34"	2 3/8"	31
AMI-184	3	4	24"	34"	2 7/8"	33
AMI-185	3	4	24"	34"	4"	41
AMI-186	4	3	30"	----	2 3/8"	34
AMI-187	4	3	30"	----	2 7/8"	36
AMI-188	4	3	30"	----	4"	39
AMI-189	5	5	30"	----	2 3/8"	44
AMI-190	5	5	30"	----	2 7/8"	46
AMI-191	5	5	30"	----	4"	55
AMI-192	6	3	24"	41"	2 3/8"	42
AMI-193	6	3	24"	41"	2 7/8"	43
AMI-194	6	3	24"	41"	4"	46

CATALOG NUMBERS SHOWN ARE HOT DIPPED GALVANIZED STEEL.  
FOR ALUMINUM BRACKETS ADD -A SUFFIX. EXAMPLE AMI-XXX-A.  
PAINTED BRACKETS SUPPLIED ON REQUEST.

# POLE TOP BRACKETS

ACTION  
MFG.  
INC.

## WRAP AROUND BRACKET FOR 10"Ø-13"Ø POLE MOUNTING



**CATALOG NO: AMI-1293**

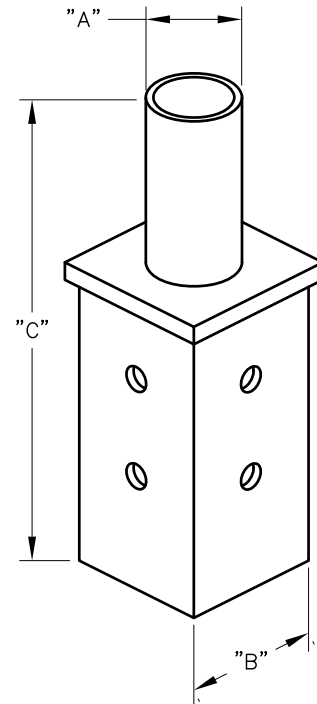
**SPECIFICATIONS:**

HARDWARE: BRACKET SHIPPED COMPLETE WITH HARDWARE  
FINISH: HOT DIPPED GALVANIZED  
WEIGHT: 42 LBS

**PT-4**

## POLE TOP MOUNT FOR SQUARE METAL POLES

CAT. NO.	"A"	"B"	"C"	WT. LBS.
AMI-1019	2 3/8"	3"	13 3/4"	7
AMI-1020	2 3/8"	3"	13 3/4"	8
AMI-1021	2 3/8"	4"	13 3/4"	8
AMI-1022	2 3/8"	4"	13 3/4"	9
AMI-1023	2 3/8"	5"	13 3/4"	17
AMI-1024	2 3/8"	5"	13 3/4"	19
AMI-1025	3 1/2"	3"	13 3/4"	8
AMI-1026	3 1/2"	3"	13 3/4"	9
AMI-1027	3 1/2"	4"	13 3/4"	9
AMI-1028	3 1/2"	4"	13 3/4"	10
AMI-1029	3 1/2"	5"	13 3/4"	18
AMI-1030	3 1/2"	5"	13 3/4"	20

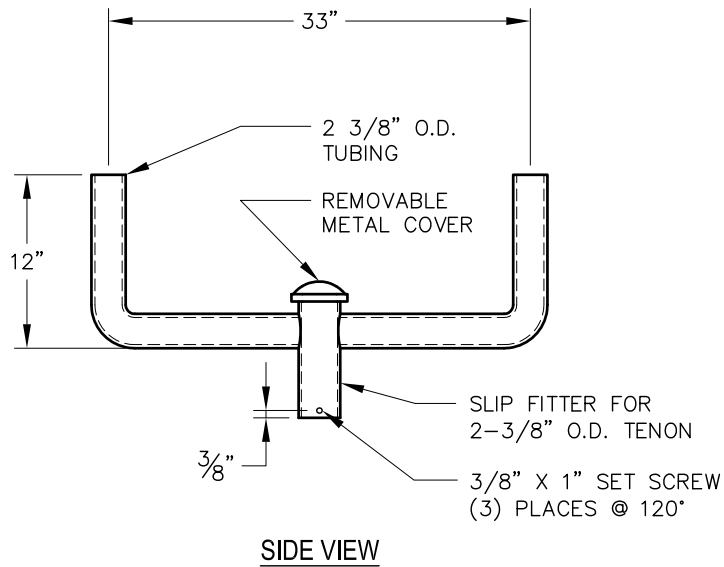
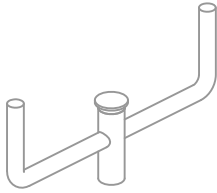


CATALOG NUMBERS SHOWN ARE HOT DIPPED GALVANIZED STEEL.  
FOR BRONZE BRACKETS ADD - BRZ SUFFIX. EXAMPLE AMI-XXX-BRZ.  
FOR RED PRIMER ADD - P SUFFIX. EXAMPLE AMI-XXX-P.  
PAINTED BRACKETS SUPPLIED ON REQUEST.

# POLE TOP BRACKETS

## TWO-WAY BULLHORN ARM

FOR POLE TOP MOUNTING



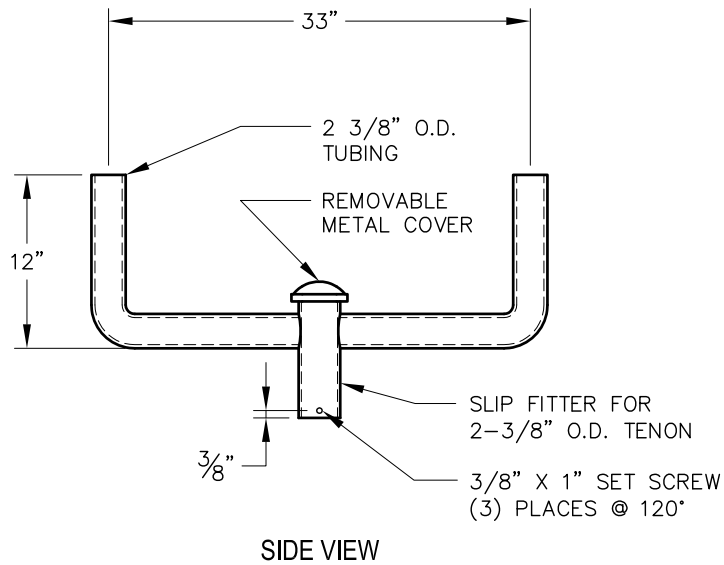
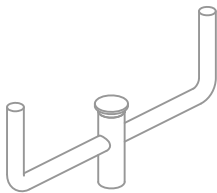
### CATALOG NO: AMI-1195

CATALOG NUMBER SHOWN IS FOR HOT DIPPED GALVANIZED STEEL.  
FOR ALUMINUM BRACKETS ADD -A SUFFIX. EXAMPLE AMI-XXX-A.  
PAINTED BRACKETS SUPPLIED ON REQUEST.

PT-5

## TWO-WAY BULLHORN ARM

FOR POLE TOP MOUNTING



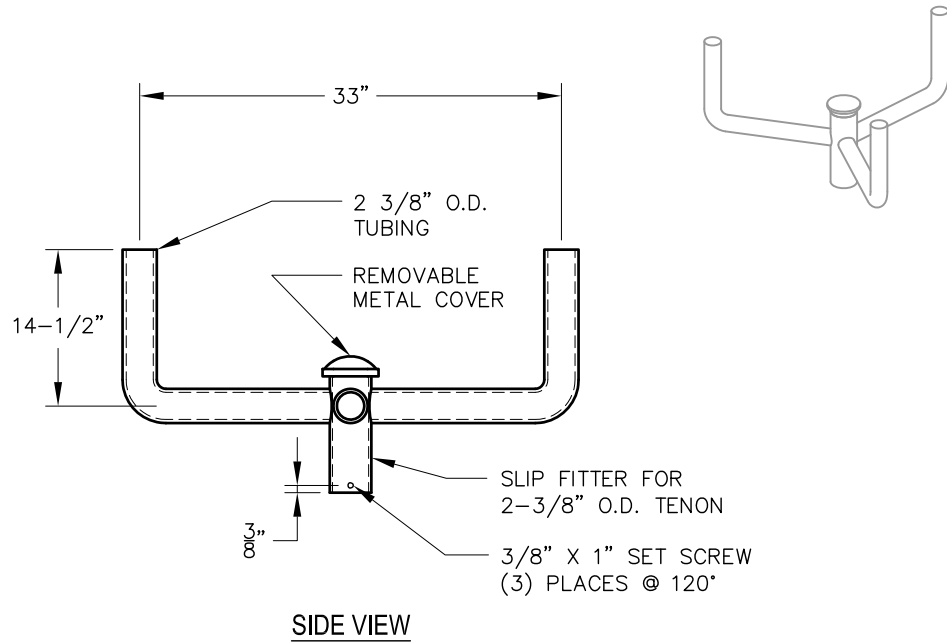
CATALOG NO: AMI-483 (HOT DIP GALVANIZED)

CATALOG NO: AMI-483-BRZ (PAINTED BRONZE)

# POLE TOP BRACKETS

ACTION  
MFG.  
INC.

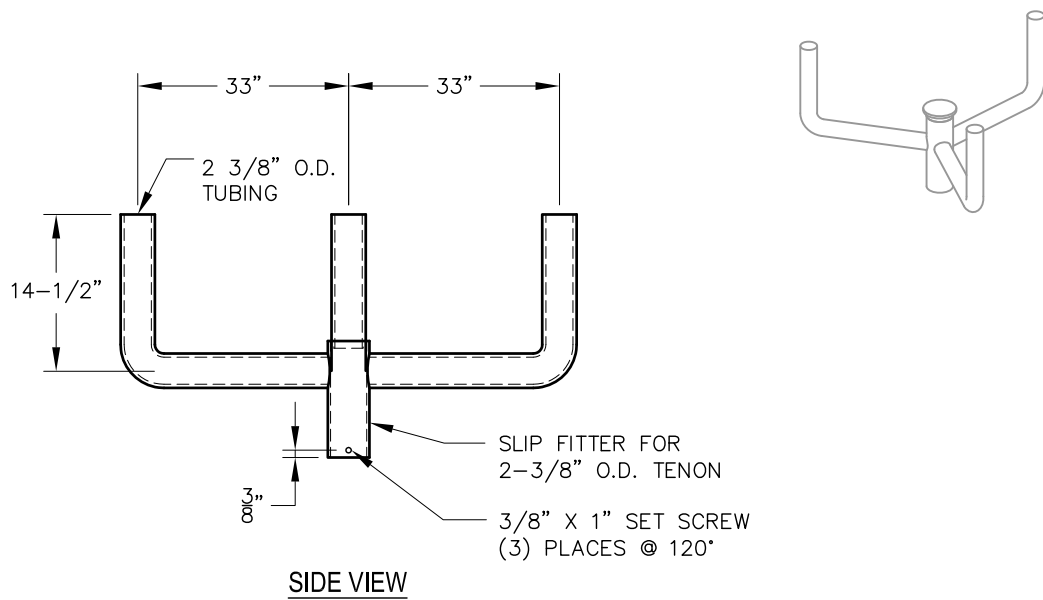
## THREE-WAY BULLHORN ARM



CATALOG NO: AMI-563 (HOT DIP GALVANIZED)

PT-6

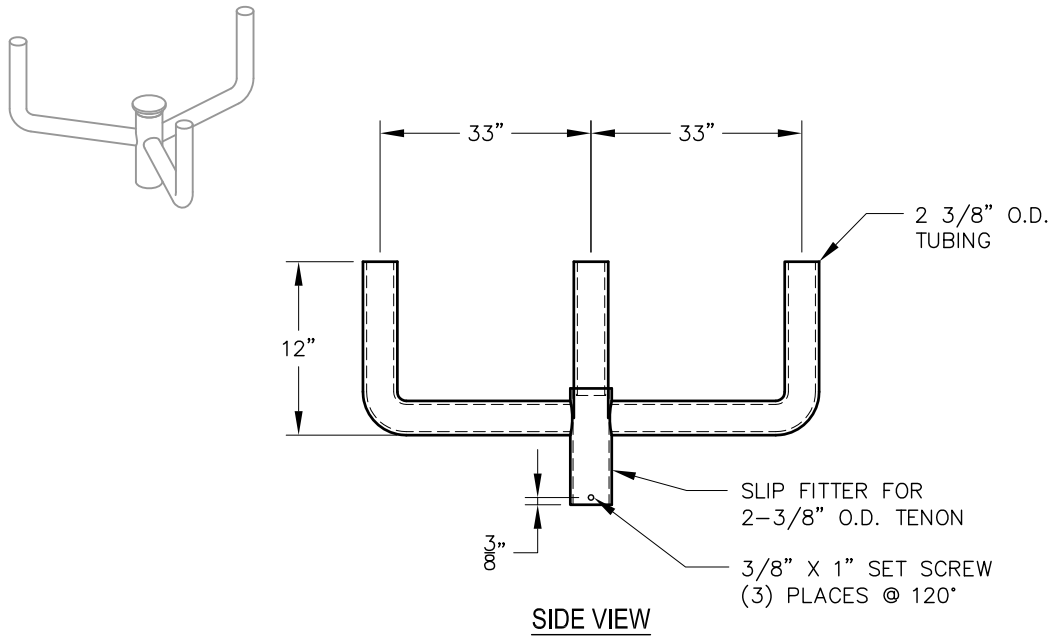
## THREE-WAY BULLHORN ARM



CATALOG NO: AMI-564 (HOT DIP GALVANIZED)

# POLE TOP BRACKETS

## THREE-WAY BULL HORN ARM

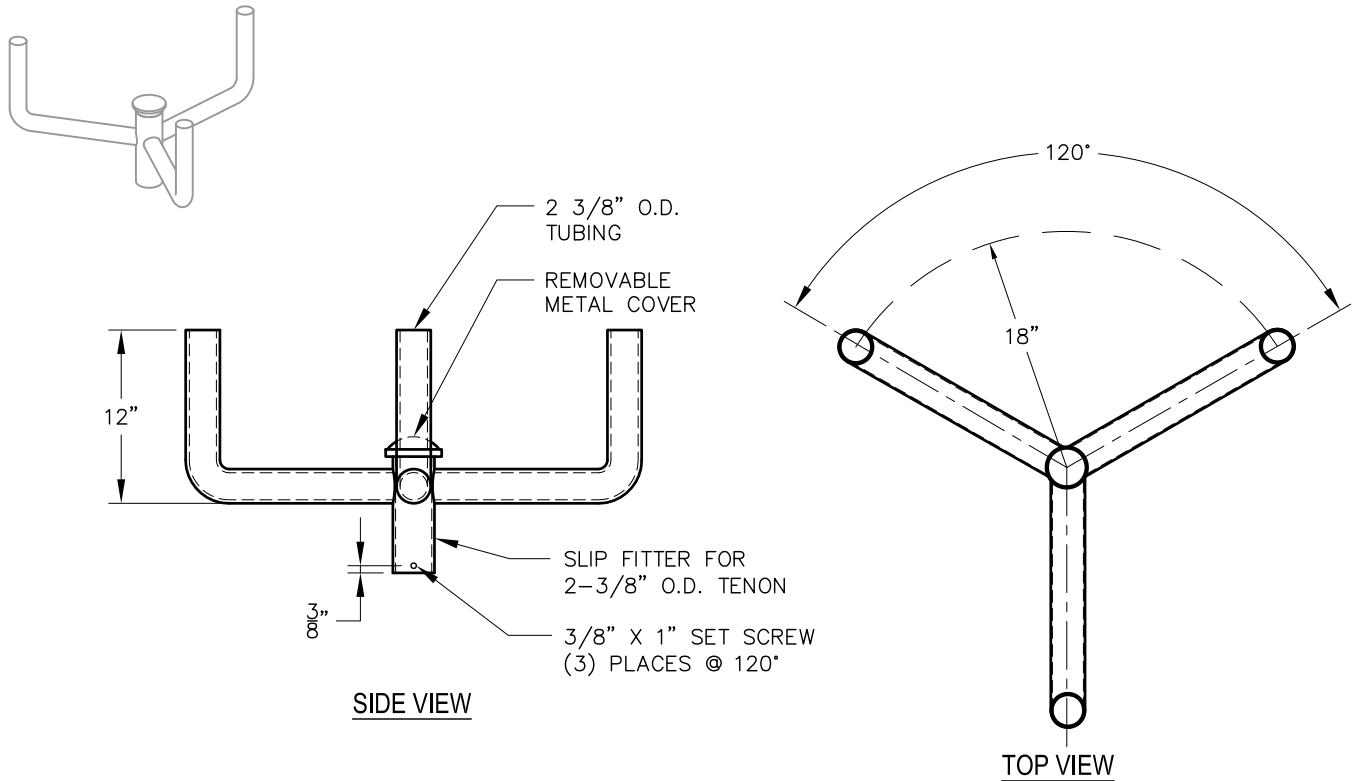


CATALOG NO: AMI-484 (HOT DIP GALVANIZED)

CATALOG NO: AMI-484-BRZ (PAINTED BRONZE)

PT-7

## THREE-WAY BULL HORN ARM

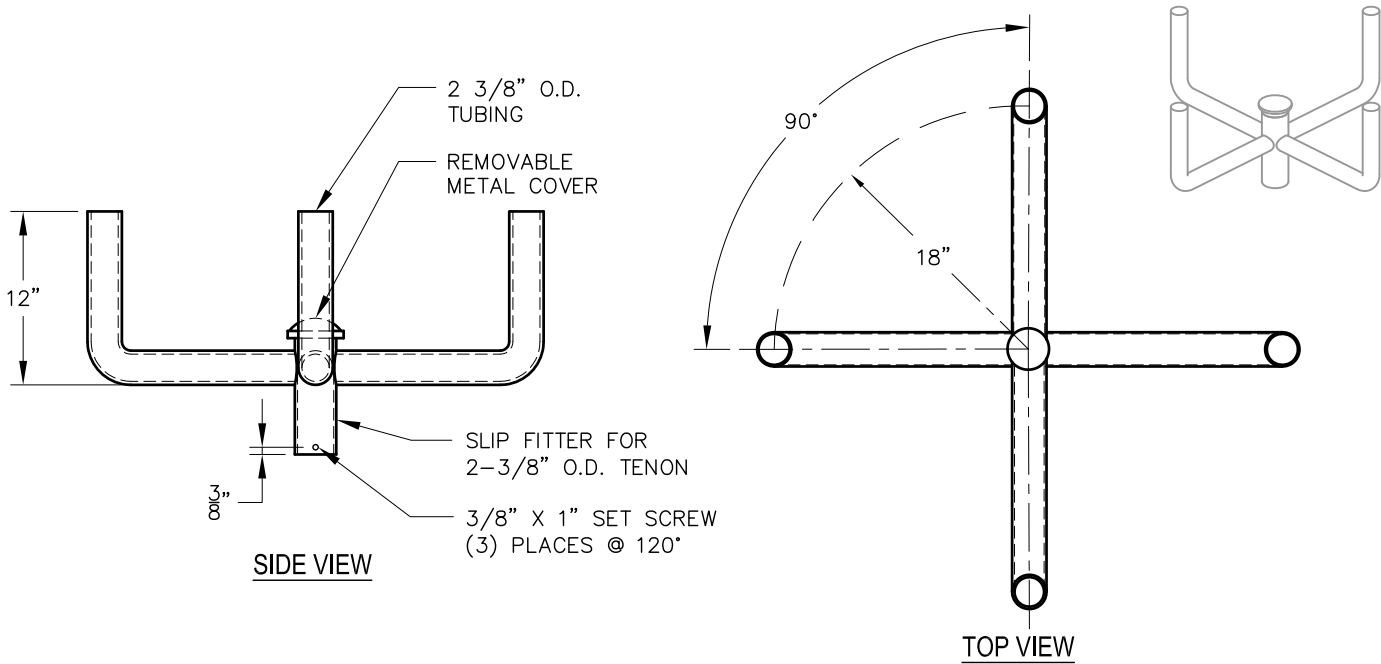


CATALOG NO: AMI-481

# POLE TOP BRACKETS

ACTION  
MFG.  
INC.

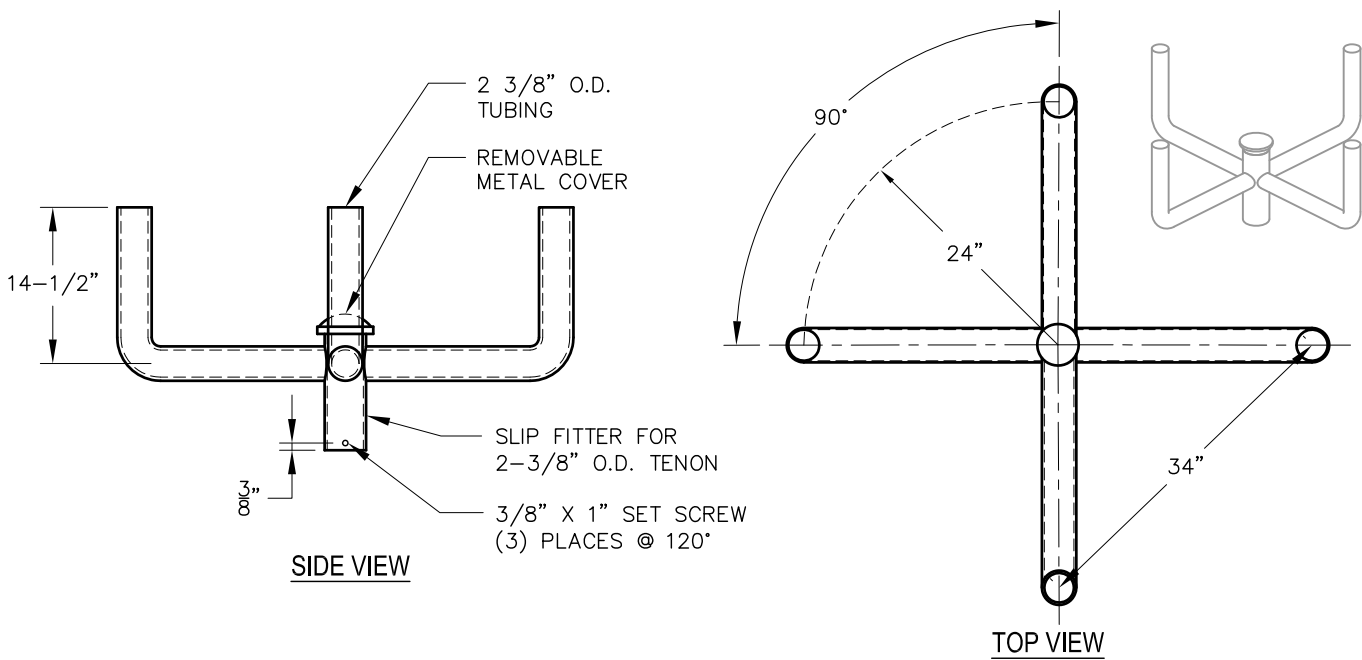
## FOUR-WAY BULLHORN ARM FOR POLE TOP MOUNTING



CATALOG NO: AMI-482 (HOT DIP GALVANIZED)  
CATALOG NO: AMI-482-BRZ (PAINTED BRONZE)

PT-8

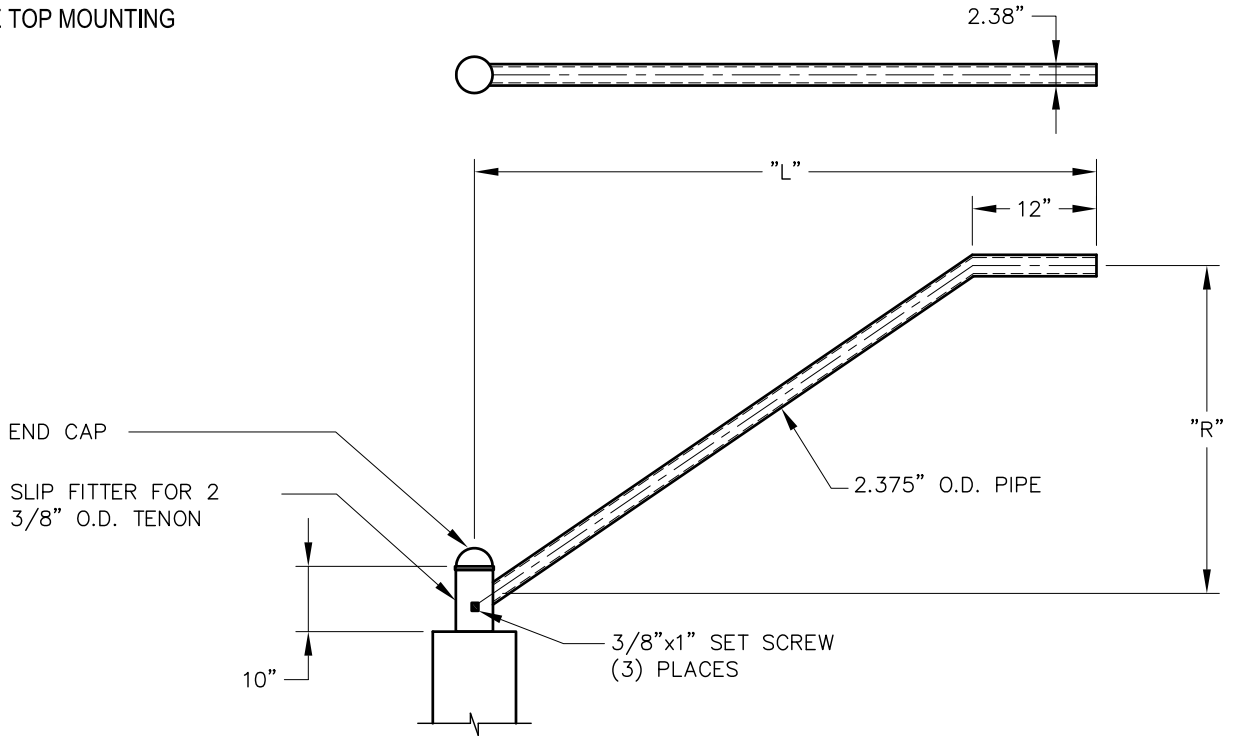
## FOUR-WAY BULLHORN ARM FOR POLE TOP MOUNTING



CATALOG NO: AMI-562 (HOT DIP GALVANIZED)

# POLE TOP BRACKETS

## SINGLE MAST ARM FOR POLE TOP MOUNTING

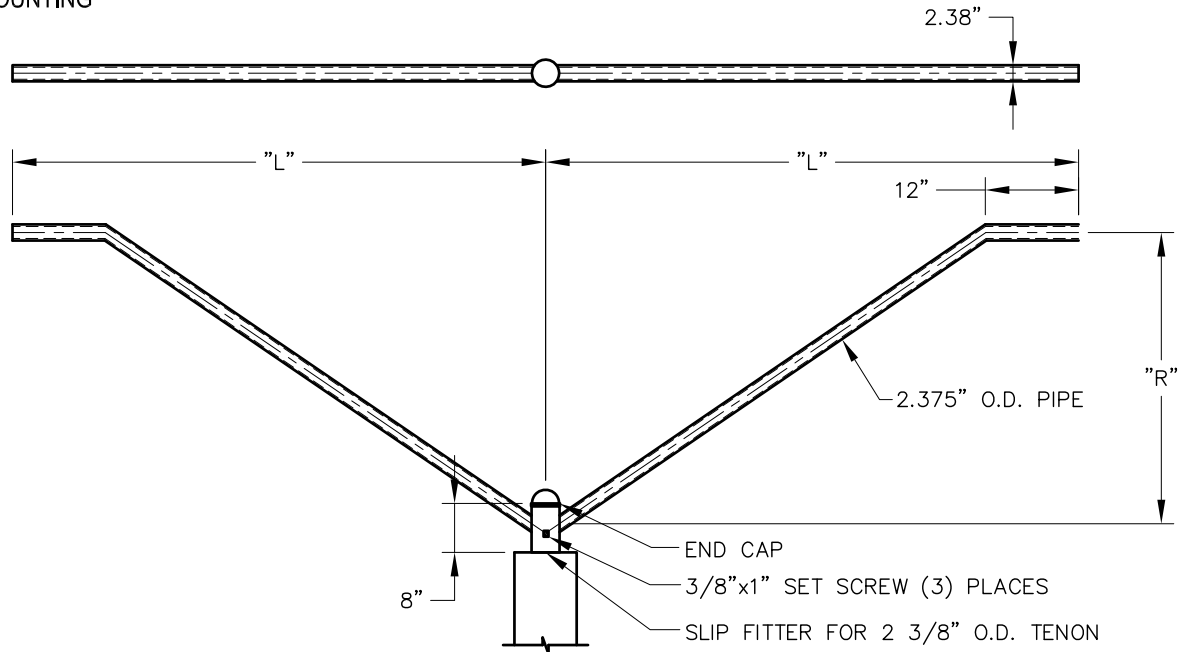


CATALOG NUMBERS	DIMENSIONS IN (INCHES)		
	NOMINAL LENGTH "L"	RISE "R"	PIPE "φ"
AMI-617	4'-0" (48)	18	2
AMI-618	6'-0" (72)	30	2

CATALOG NUMBERS SHOWN ARE HOT DIPPED GALVANIZED STEEL. FOR ALUMINUM BRACKETS ADD -A SUFFIX, EXAMPLE AMI-XXX-A. PAINTED BRACKETS SUPPLIED ON REQUEST.

**PT-9**

## TWO WAY MAST ARM FOR POLE TOP MOUNTING



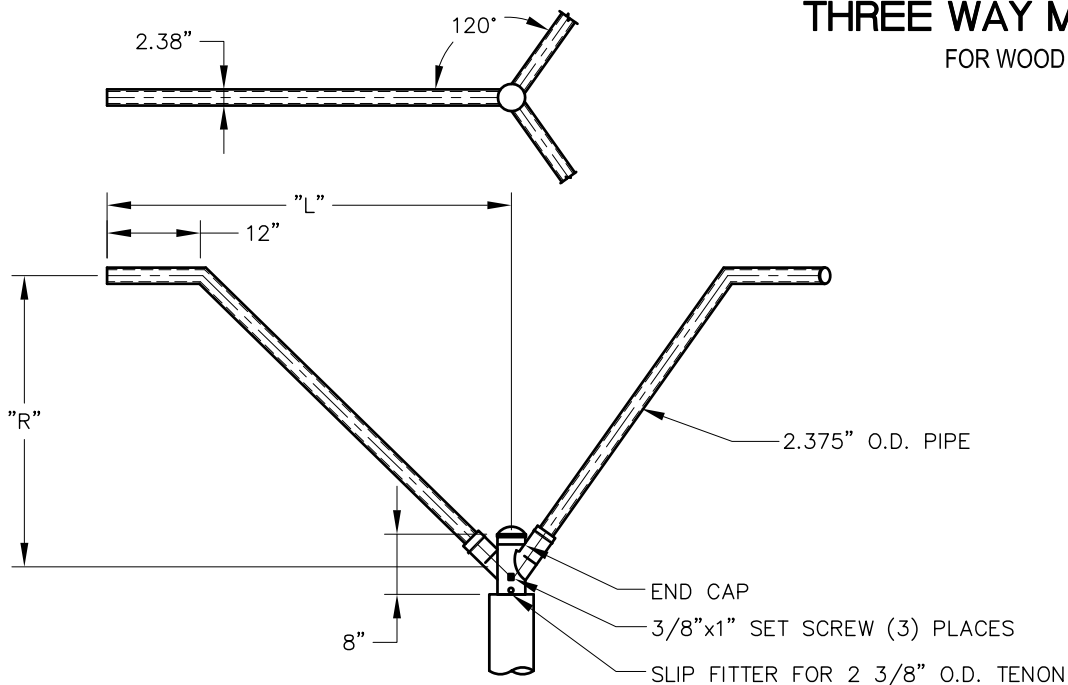
CATALOG NUMBERS	DIMENSIONS IN (INCHES)		
	NOMINAL LENGTH "L"	RISE "R"	PIPE "φ"
AMI-619	4'-0" (48)	18	2
AMI-620	6'-0" (72)	30	2

CATALOG NUMBERS SHOWN ARE HOT DIPPED GALVANIZED STEEL. FOR ALUMINUM BRACKETS ADD -A SUFFIX, EXAMPLE AMI-XXX-A. PAINTED BRACKETS SUPPLIED ON REQUEST.

# POLE TOP BRACKETS

ACTION  
MFG.  
INC.

## THREE WAY MAST ARM FOR WOOD POLE MOUNTING

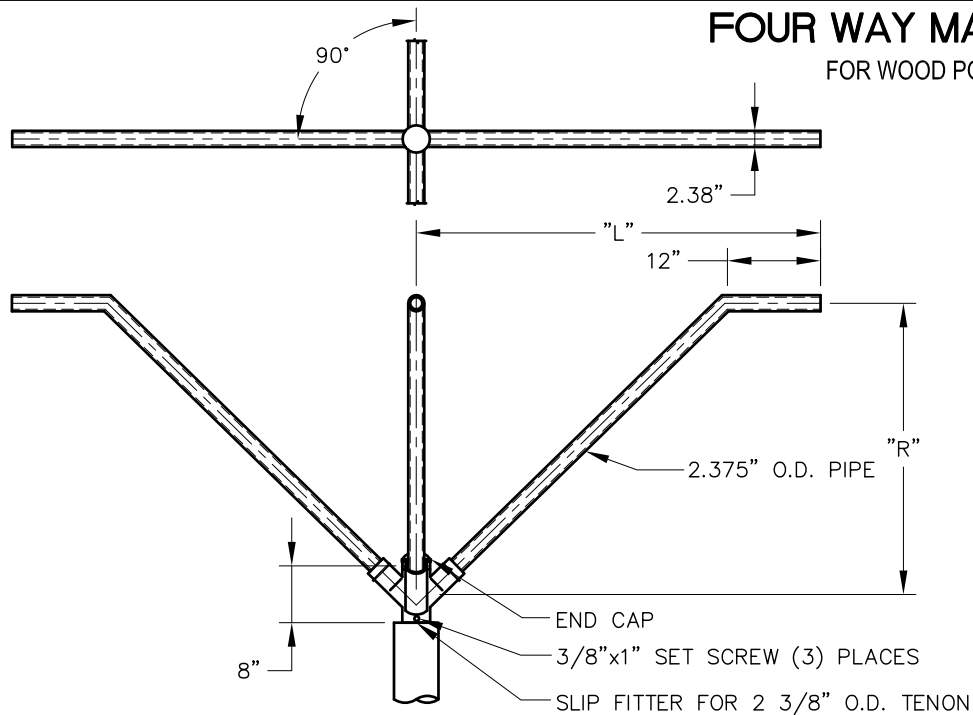


CATALOG NUMBERS	DIMENSIONS IN (INCHES)		
	NOMINAL LENGTH "L"	RISE "R"	PIPE "ø"
AMI-621	4'-0" (48)	18	2
AMI-622	5'-0" (60)	24	2

CATALOG NUMBERS SHOWN ARE HOT DIPPED GALVANIZED STEEL.  
FOR ALUMINUM BRACKETS ADD -A SUFFIX, EXAMPLE AMI-XXX-A.  
PAINTED BRACKETS SUPPLIED ON REQUEST.

PT-10

## FOUR WAY MAST ARM FOR WOOD POLE MOUNTING

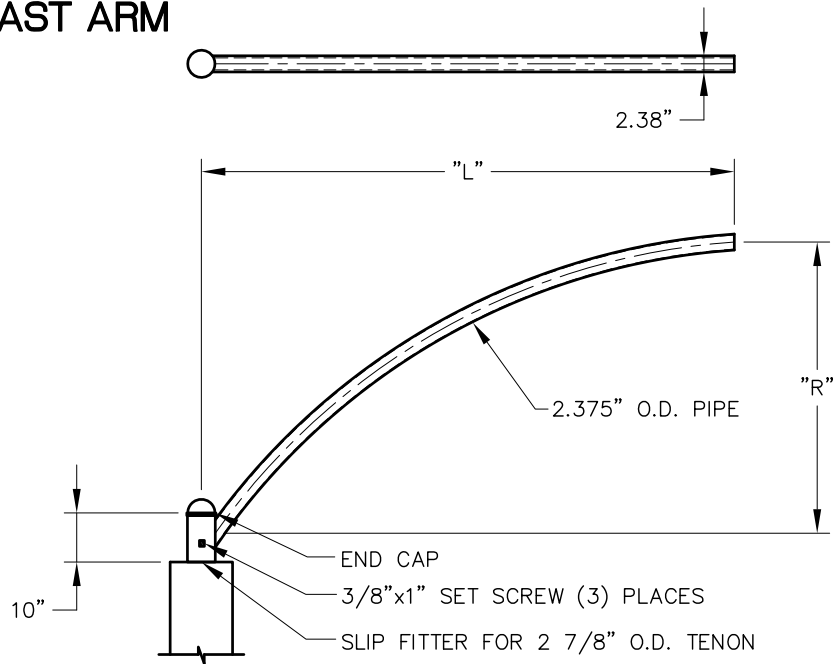


CATALOG NUMBERS	DIMENSIONS IN (INCHES)		
	NOMINAL LENGTH "L"	RISE "R"	PIPE "ø"
AMI-623	4'-0" (48)	18	2
AMI-624	5'-0" (60)	24	2

CATALOG NUMBERS SHOWN ARE HOT DIPPED GALVANIZED STEEL.  
FOR ALUMINUM BRACKETS ADD -A SUFFIX, EXAMPLE AMI-XXX-A.  
PAINTED BRACKETS SUPPLIED ON REQUEST.

# POLE TOP BRACKETS

## SINGLE UP SWEEP MAST ARM

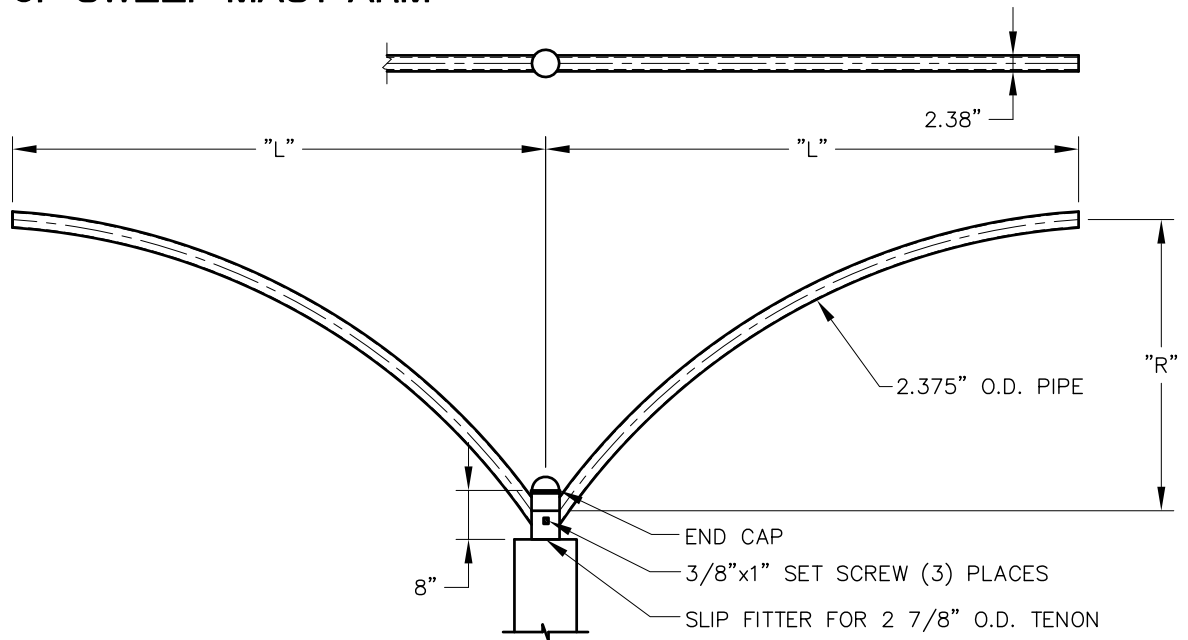


CATALOG NUMBERS	DIMENSIONS IN (INCHES)		
	NOMINAL LENGTH "L"	RISE "R"	PIPE "ø"
AMI-1015	6'-0" (72)	30	2
AMI-1016	8'-0" (96)	40	2

CATALOG NUMBERS SHOWN ARE HOT DIPPED GALVANIZED STEEL.  
FOR ALUMINUM BRACKETS ADD -A SUFFIX, EXAMPLE AMI-XXX-A.  
PAINTED BRACKETS SUPPLIED ON REQUEST.

PT-11

## TWO WAY UP SWEEP MAST ARM



CATALOG NUMBERS	DIMENSIONS IN (INCHES)		
	NOMINAL LENGTH "L"	RISE "R"	PIPE "ø"
AMI-1017	6'-0" (72)	30	2
AMI-1018	8'-0" (96)	40	2

CATALOG NUMBERS SHOWN ARE HOT DIPPED GALVANIZED STEEL.  
FOR ALUMINUM BRACKETS ADD -A SUFFIX, EXAMPLE AMI-XXX-A.  
PAINTED BRACKETS SUPPLIED ON REQUEST.



## STEEL DISTRIBUTION ARMS

SDA

### SECTION INDEX

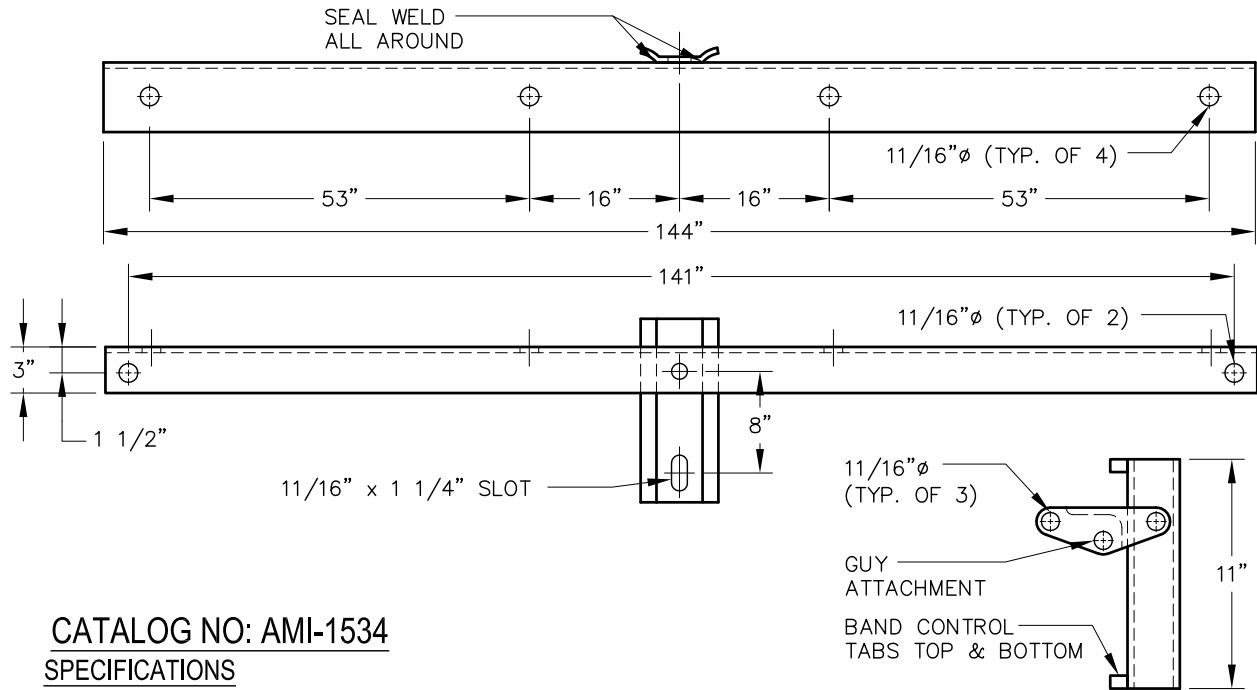
<b>ANGULAR STEEL ARMS</b> .....	<b>SDA-1</b>	<b>CHANNEL STEEL ARMS</b> .....	<b>SDA-9</b>
48" AND 60" LENGTHS		40" AND 60" LENGTHS WITH GUY ATTACHMENT	
<b>ANGULAR STEEL ARMS</b> .....	<b>SDA-2</b>	<b>CHANNEL STEEL ARMS</b> .....	<b>SDA-10</b>
96" AND 120" LENGTHS		60" AND 72" LENGTHS	
<b>ANGULAR STEEL ARMS</b> .....	<b>SDA-3</b>	<b>CROSSARM GAIN</b> .....	<b>SDA-11</b>
96" AND 120" LENGTHS			
<b>ANGULAR STEEL ARMS</b> .....	<b>SDA-4</b>	<b>TUBULAR STEEL ARM</b> .....	<b>SDA-11</b>
40" AND 60" LENGTHS		60" IN LENGTH	
<b>ANGULAR STEEL ARMS</b> .....	<b>SDA-5</b>	<b>TUBULAR STEEL ARMS</b> .....	<b>SDA-12</b>
60" LENGTHS		6' AND 10' LENGTHS	
<b>ANGULAR STEEL ARMS</b> .....	<b>SDA-6</b>	<b>TUBULAR STEEL ARMS</b> .....	<b>SDA-13</b>
		10' IN LENGTH	
<b>ANGULAR STEEL ARM</b> .....	<b>SDA-7</b>	<b>TUBULAR STEEL ARMS</b> .....	<b>SDA-14</b>
WITH GUY ATTACHMENTS		10' AND 12' LENGTHS	
<b>CHANNEL STEEL ARM</b> .....	<b>SDA-7</b>	<b>TUBULAR STEEL ARMS</b> .....	<b>SDA-15</b>
FOR POLE MOUNTING		5' IN LENGTH	
<b>CHANNEL STEEL ARMS</b> .....	<b>SDA-8</b>	<b>TUBULAR STEEL ARMS</b> .....	<b>SDA-16</b>
41 1/2' AND 48" LENGTHS WITH GUY ATTACHMENT			

# STEEL DISTRIBUTION ARMS

ACTION  
MFG.  
INC.

## 12' ANGULAR STEEL ARM

CONSTRUCTED OF 3"x5"x3/8" ANGLE STEEL WELDED AROUND  
POLE-GAIN. MOUNTS TO POLE WITH 5/8"Ø BOLTS.



CATALOG NO: AMI-1534

### SPECIFICATIONS

1. MATERIAL: H.R. STEEL ANGLE
2. ALL HOLES 11/16"Ø UNLESS OTHERWISE NOTED
3. FINISH: HOT DIPPED GALVANIZED

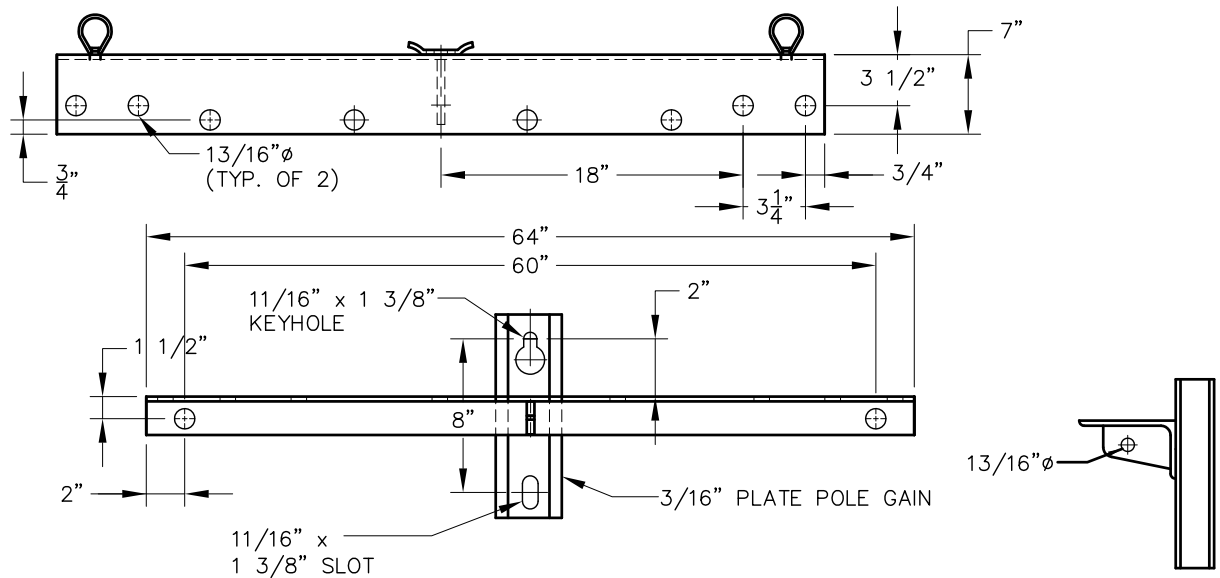
### OPTIONAL GUY ATTACHMENT

FOR OPTIONAL GUY ATTACHMENT PLATE  
ADD -GA SUFFIX. EXAMPLE AMI-1534-GA

SDA-1

## 60" ANGULAR STEEL ARM

CONSTRUCTED OF 7x4x3/8" STEEL ANGLE WELDED AROUND POLE GAIN.  
MOUNTS TO POLE WITH 5/8"Ø BOLTS



CATALOG NO: AMI-1138

### SPECIFICATIONS

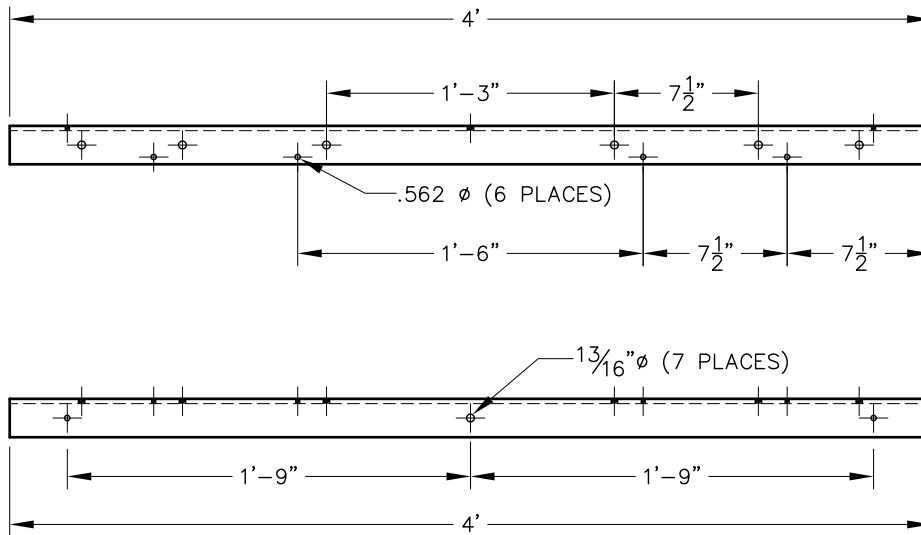
1. MATERIAL: HOT ROLLED STEEL
2. FINISH: HOT DIPPED GALVANIZED
3. ALL HOLES 11/16"Ø UNLESS NOTED
4. HARDWARE: EYE NUTS AND BOLTS INCLUDED

SIDE VIEW

# STEEL DISTRIBUTION ARMS

ACTION  
MFG.  
INC.

## ANGULAR STEEL ARM

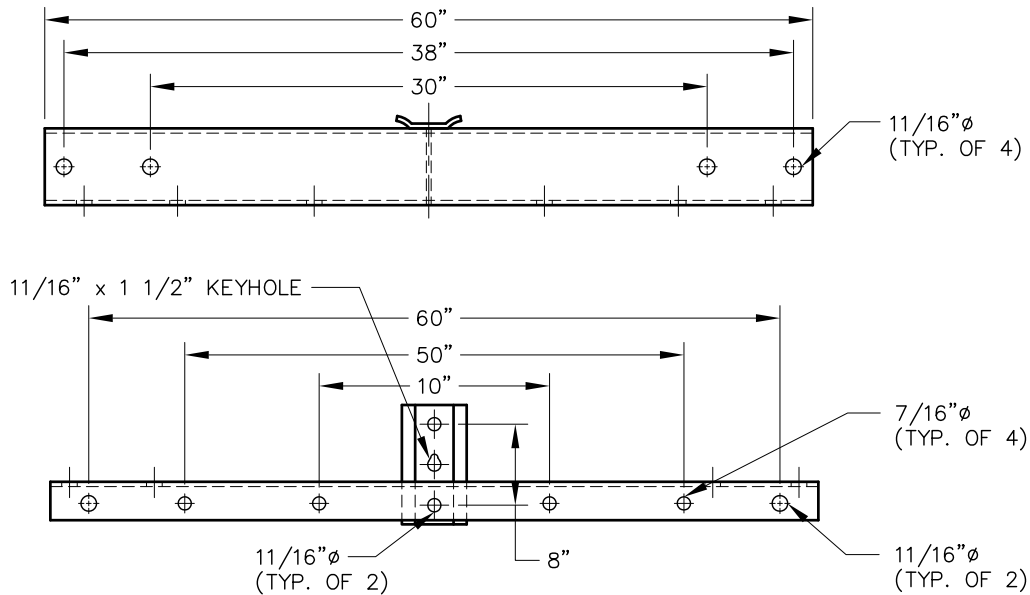


CATALOG NO: AMI-1006

## 60" ANGULAR STEEL ARM

SDA-2

CONSTRUCTED OF 5" CHANNEL WITH 5/8"Ø BOLTS



CATALOG NO: AMI-937

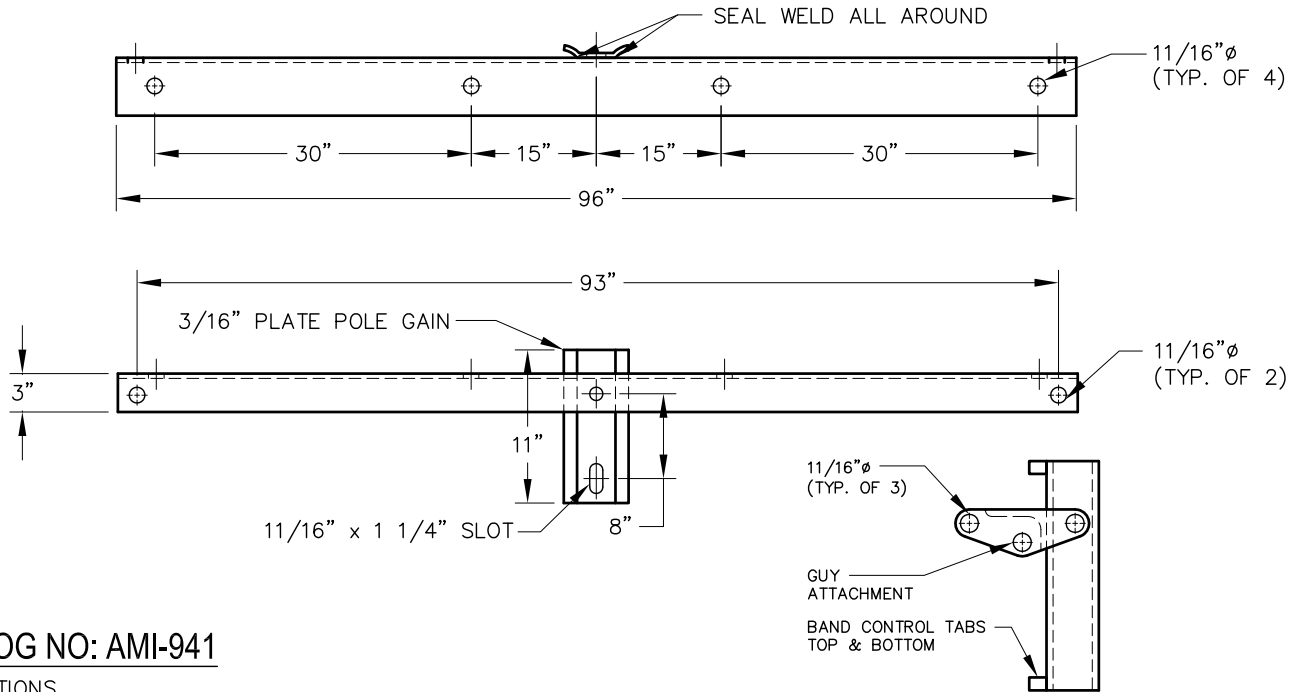
### SPECIFICATIONS

1. WEIGHT: 45 POUNDS
2. STRENGTH RATING PER PHASE: 5,000 POUNDS
3. FINISH: HOT DIPPED GALVANIZED

# STEEL DISTRIBUTION ARMS

## 8' ANGULAR STEEL ARM

CONSTRUCTED OF 3/8" x 3" x 5" ANGLE STEEL WELDED AROUND POLE-GAIN  
MOUNTS TO POLE WITH 5/8"Ø BOLTS



**CATALOG NO: AMI-941**

**SPECIFICATIONS**

1. MATERIAL: H.R. STEEL ANGLE
2. ALL HOLES 1 1/16"Ø UNLESS OTHERWISE NOTED
3. FINISH: HOT DIPPED GALVANIZED

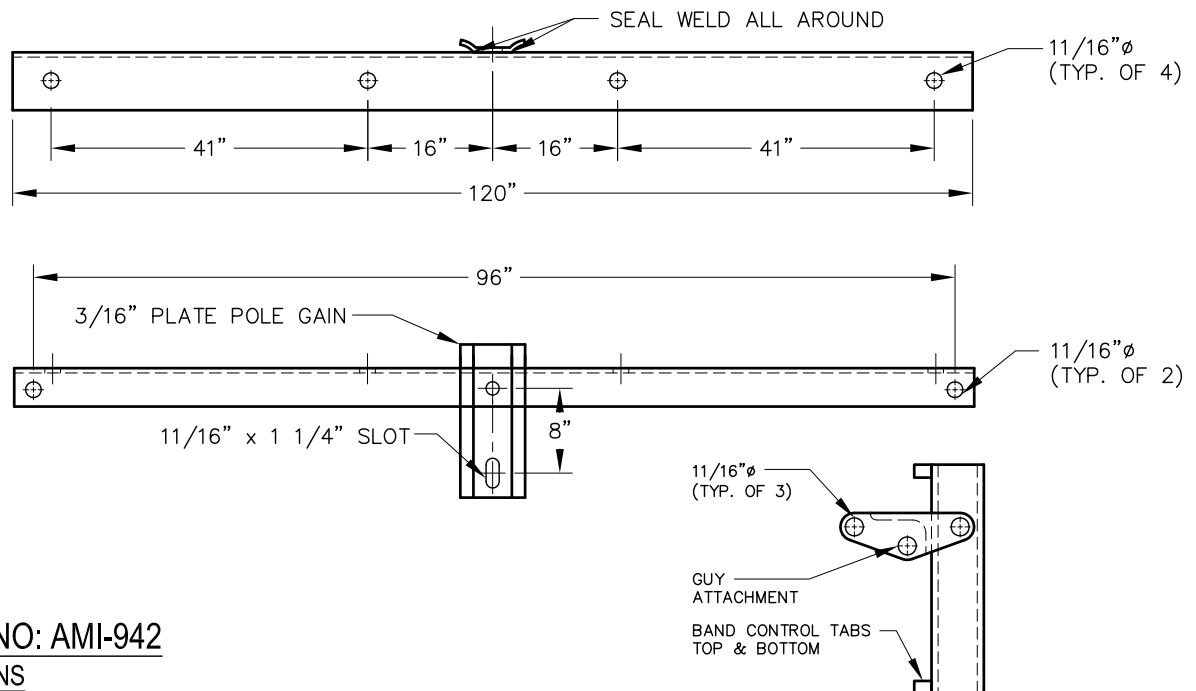
**OPTIONAL GUY ATTACHMENT**

FOR OPTIONAL GUY ATTACHMENT PLATE  
ADD -GA SUFFIX. EXAMPLE AMI-941-GA

**SDA-3**

## 10' ANGULAR STEEL ARM

CONSTRUCTED OF 3/8" x 3" x 5" ANGLE STEEL WELDED AROUND POLE-GAIN  
MOUNTS TO POLE WITH 5/8"Ø BOLTS



**CATALOG NO: AMI-942**

**SPECIFICATIONS**

1. MATERIAL: H.R. STEEL ANGLE
2. ALL HOLES 1 1/16"Ø UNLESS OTHERWISE NOTED
3. FINISH: HOT DIPPED GALVANIZED

**OPTIONAL GUY ATTACHMENT**

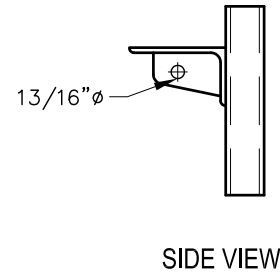
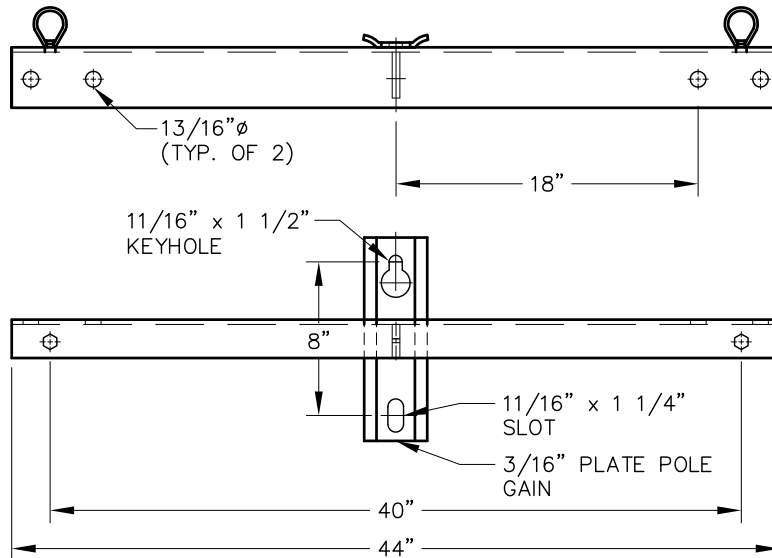
FOR OPTIONAL GUY ATTACHMENT PLATE  
ADD -GA SUFFIX. EXAMPLE AMI-942-GA

# STEEL DISTRIBUTION ARMS

ACTION  
MFG.  
INC.

## 40" ANGULAR STEEL ARM

CONSTRUCTED OF 3/8" x 3 x 5" STEEL ANGLE WELDED  
AROUND POLE GAIN. MOUNTS TO POLE WITH 5/8" DIA. BOLTS



CATALOG NO: AMI-1133

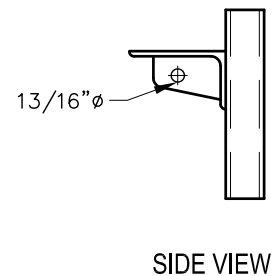
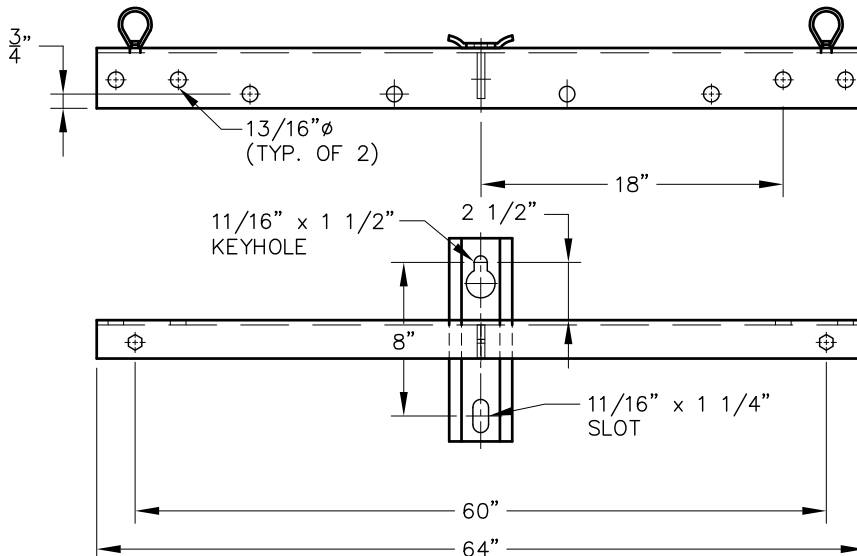
### SPECIFICATIONS

1. MATERIAL: HOT ROLLED STEEL
2. FINISH: HOT DIPPED GALVANIZED
3. ALL HOLES 11/16"  $\phi$  UNLESS NOTED
4. HARDWARE: EYE NUTS AND BOLTS INCLUDED

## 60" ANGULAR STEEL ARM

CONSTRUCTED OF 3/8" x 3 x 5" STEEL ANGLE WELDED  
AROUND POLE GAIN. MOUNTS TO POLE WITH 5/8" DIA. BOLTS

SDA-4



CATALOG NO: AMI-1134

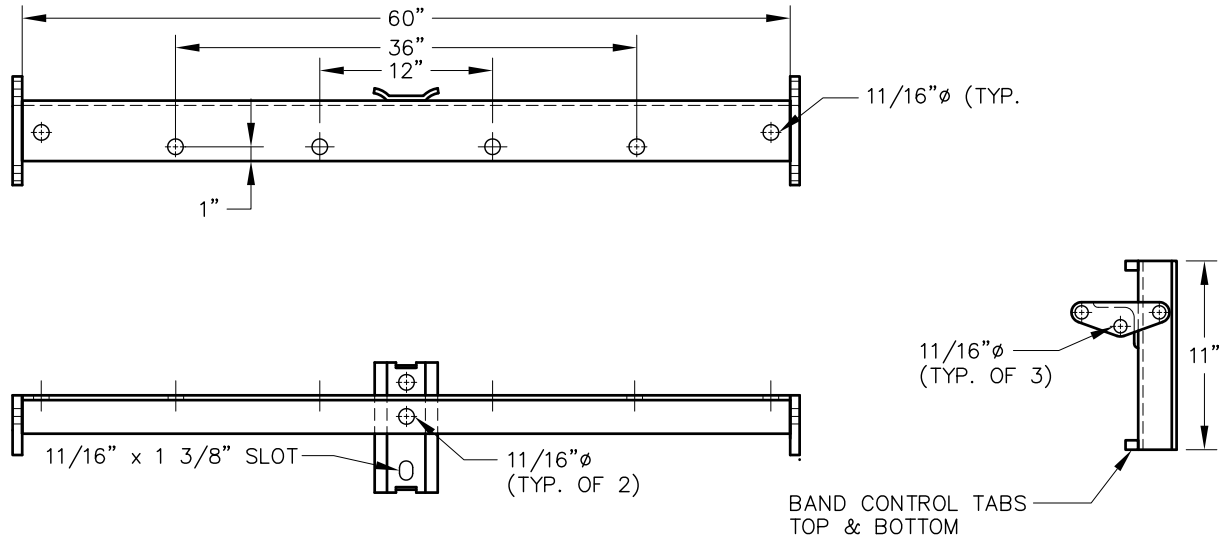
### SPECIFICATIONS

1. MATERIAL: HOT ROLLED STEEL
2. FINISH: HOT DIPPED GALVANIZED
3. ALL HOLES 11/16"  $\phi$  UNLESS NOTED
4. HARDWARE: EYE NUTS AND BOLTS INCLUDED

# STEEL DISTRIBUTION ARMS

## 60" ANGULAR STEEL ARM

CONSTRUCTED OF HEAVY STEEL ANGLE, END PLATES PERMIT ATTACHMENT OF IN-LINE AND LATERAL SUSPENSION INSULATORS

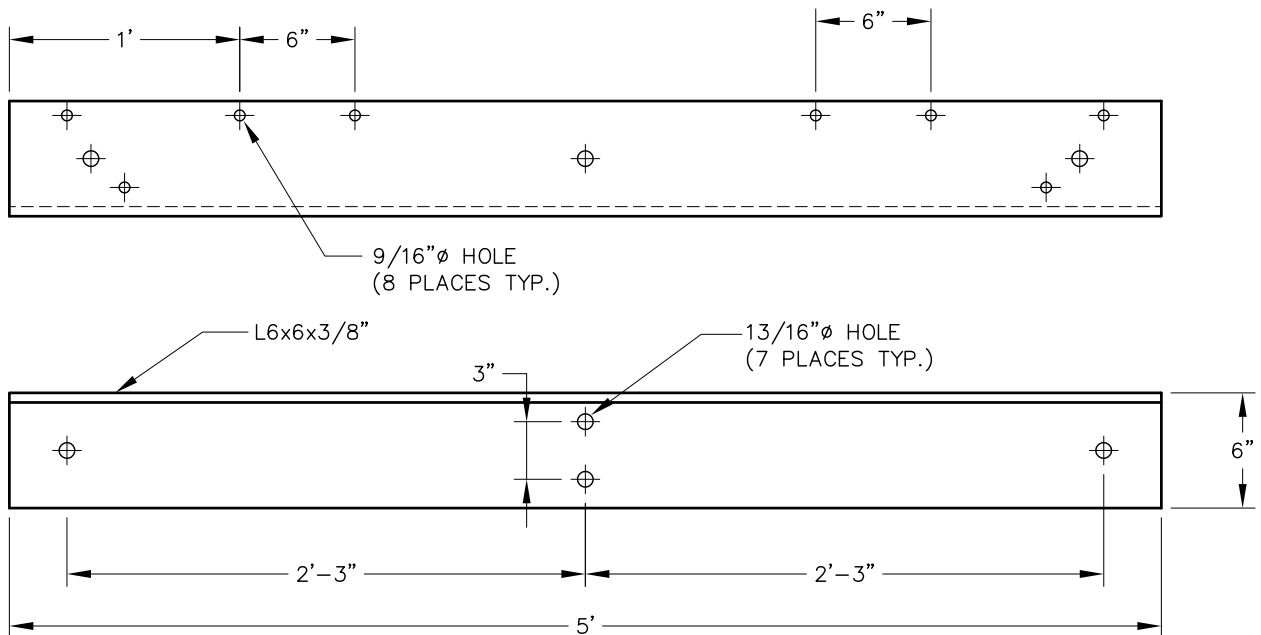


CATALOG NO: AMI-936

### SPECIFICATIONS

1. MATERIAL: HOT ROLLED STEEL
2. FINISH: HOT DIPPED GALVANIZED

## SDA-5 ANGULAR STEEL ARM



CATALOG NO: AMI-1001

### SPECIFICATIONS:

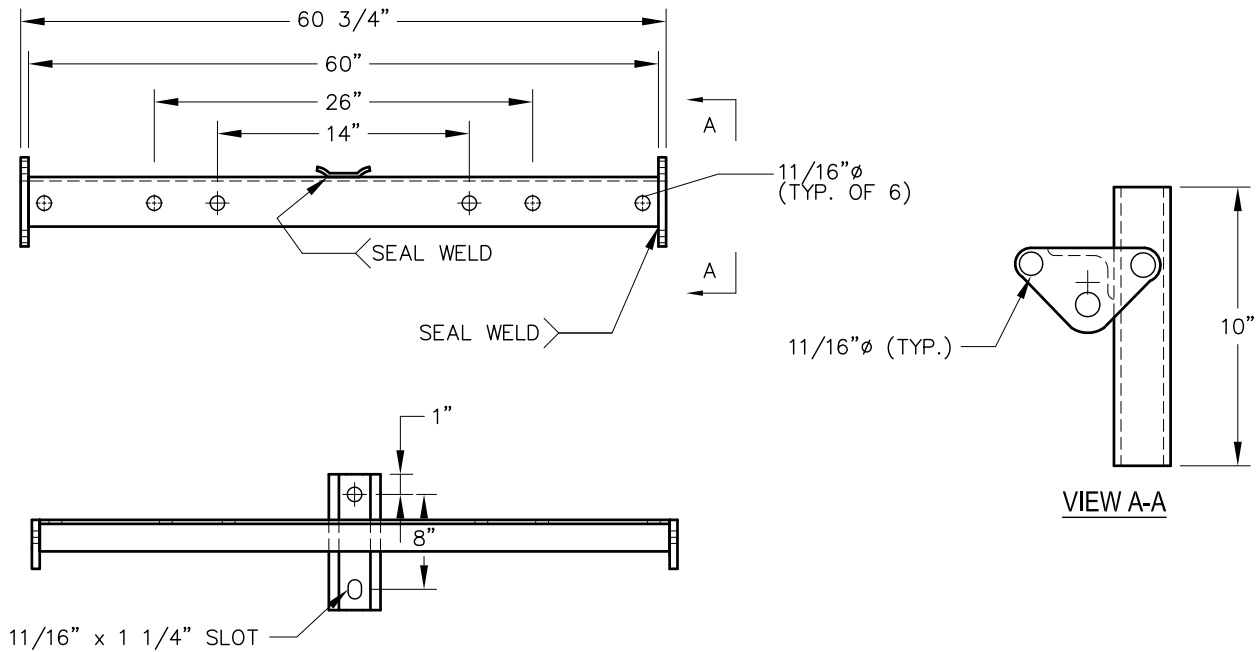
FINISH : HOT DIPPED GALVANIZED

# STEEL DISTRIBUTION ARMS

ACTION  
MFG.  
INC.

## 60" ANGULAR STEEL ARM

CONSTRUCTED OF HEAVY STEEL ANGLE, END PLATES PERMIT ATTACHMENT OF IN-LINE AND LATERAL SUSPENSION INSULATORS



CATALOG NO: AMI-1145

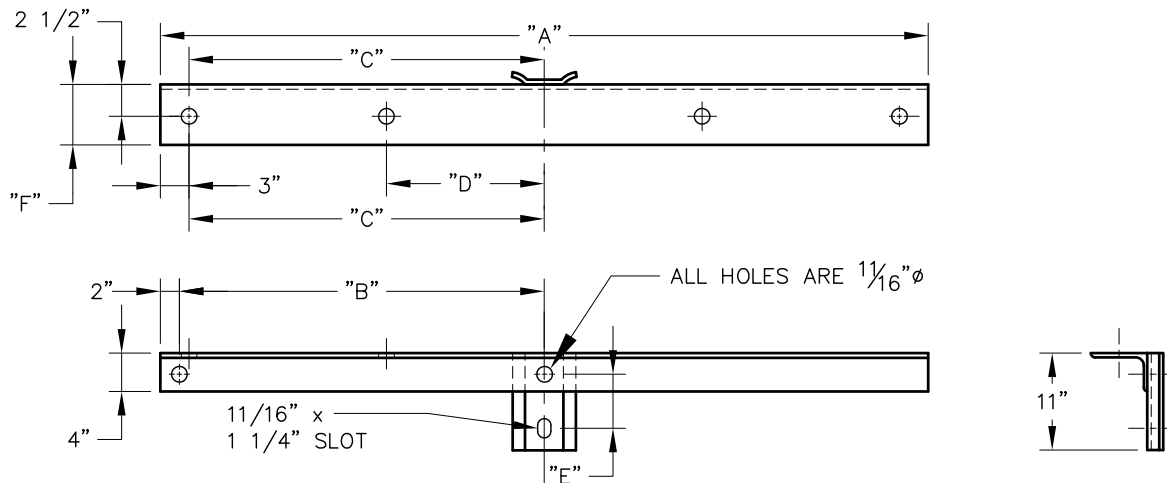
### SPECIFICATIONS

1. MATERIAL: HOT ROLLED STEEL
2. FINISH: HOT DIPPED GALVANIZED

## ANGULAR STEEL ARM

CONSTRUCTED OF HEAVY STEEL ANGLE

SDA-6



### SPECIFICATIONS

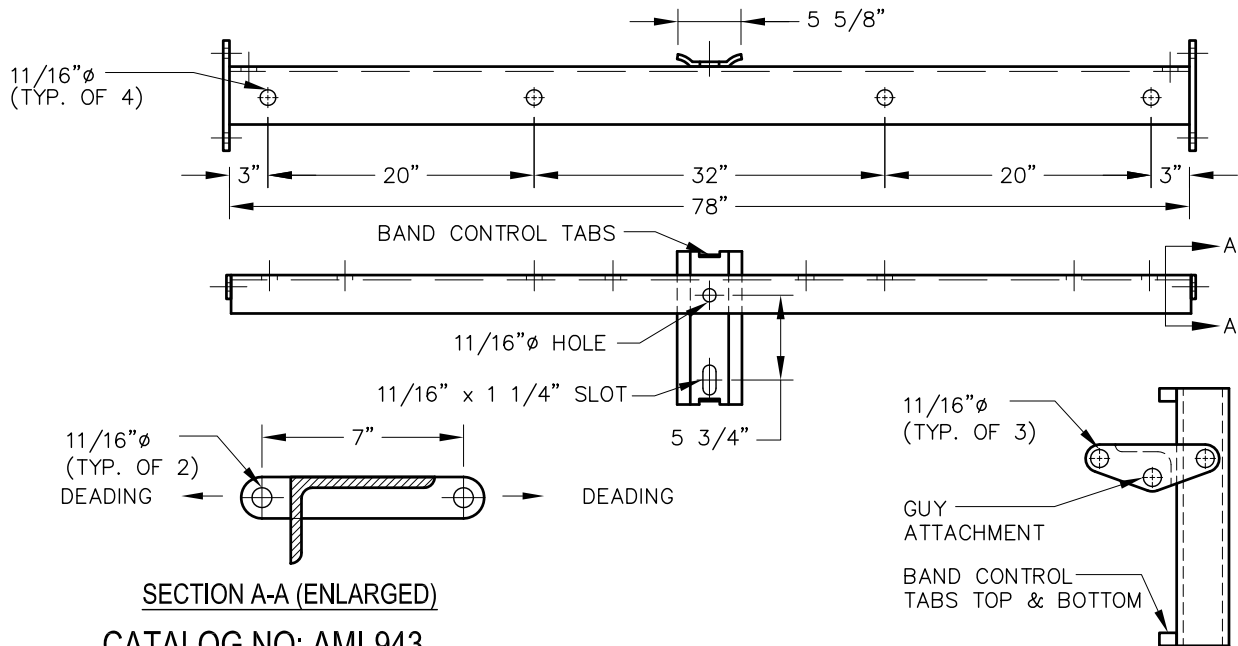
1. MATERIAL: STEEL, ASTM CLASS A-36
2. FINISH: HOT DIPPED GALVANIZED PER A-153
3. HARDWARE:  $\frac{5}{8}$ "  $\phi$  MOUNTING BOLTS
4. ALL JOINTS TO BE SEAM-WELDED BEFORE GALVANIZATION

CATALOG NUMBERS	DIMENSIONS IN (INCHES)						ANGLE SIZE	WEIGHT PER ARM (lbs)
	NOMINAL LENGTH "A"	"B"	"C"	"D"	"E"	"F"		
AMI-1573	8'-0" (96)	46	45	15	8	4	4x4x1/4"	57
AMI-1574	10'-0" (120)	58	57	16	8	4	4x4x1/2"	132
AMI-1575	10'-0" (120)	58	57	16	8	6	4x6x5/16"	107
AMI-1576	10'-0" (120)	58	57	16	8	6	4x6x3/8"	127

# STEEL DISTRIBUTION ARMS

## 78" ANGULAR STEEL ARM

CONSTRUCTED OF 3/8" x 3" x 5" STEEL ANGLE WELDED TO END PLATES AND POLE-GAIN. END PLATES PERMIT ATTACHMENT ON IN-LINE AND LATERAL SUSPENSION INSULATORS. MOUNTS TO POLE WITH 5/8"Ø BOLTS.



SECTION A-A (ENLARGED)

CATALOG NO: AMI-943

SPECIFICATIONS

1. MATERIAL: H.R. STEEL ANGLE
2. FINISH: HOT DIPPED GALVANIZED

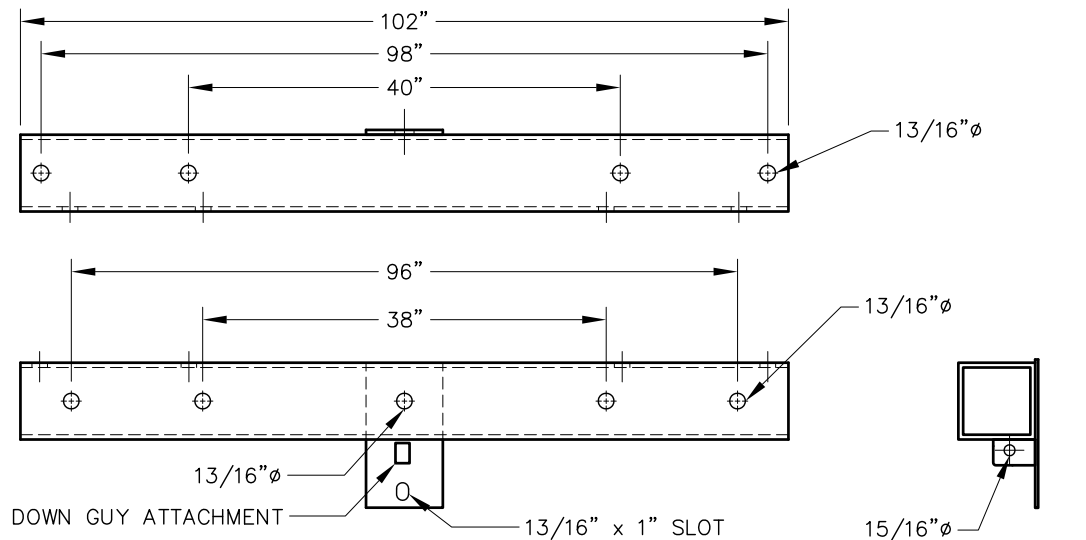
OPTIONAL GUY ATTACHMENT

FOR OPTIONAL GUY ATTACHMENT PLATE ADD -GA SUFFIX. EXAMPLE AMI-943-GA

SDA-7

## 102" CHANNEL STEEL ARM

CONSTRUCTED OF 5"x5" HIGH STRENGTH STEEL TUBING WITH DOWN GUY ATTACHMENT. MOUNTS TO POLE WITH 3/4"Ø BOLTS



CATALOG NO: AMI-935

SPECIFICATIONS

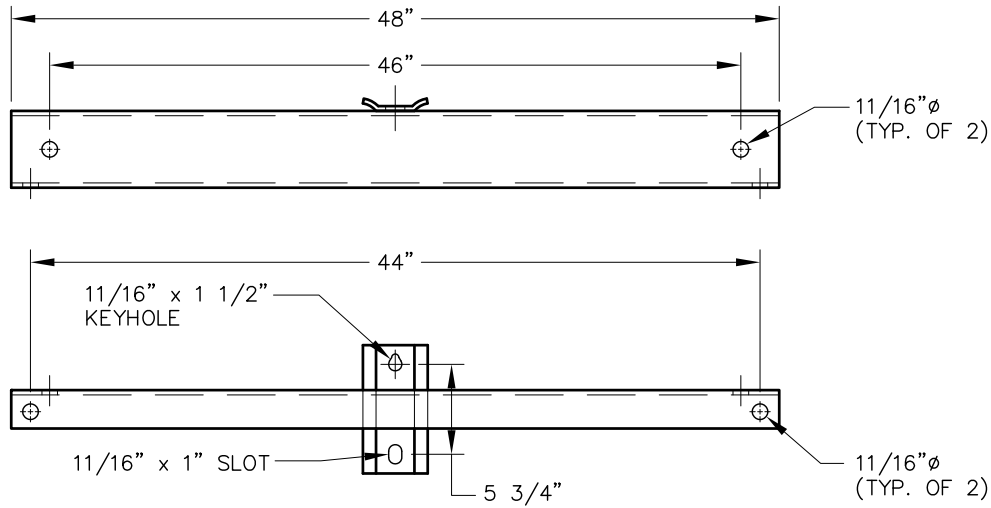
1. WEIGHT: 77 POUNDS
2. STRENGTH RATING PER PHASE: 6,000 POUNDS
3. MATERIAL: HOT ROLLED STEEL
4. FINISH: HOT DIPPED GALVANIZED

SIDE VIEW

# STEEL DISTRIBUTION ARMS

ACTION  
MFG.  
INC.

## 48" CHANNEL STEEL ARM CONSTRUCTED OF 4" CHANNEL. MOUNTS TO POLE WITH 5/8"Ø BOLTS



### CATALOG NO: AMI-933

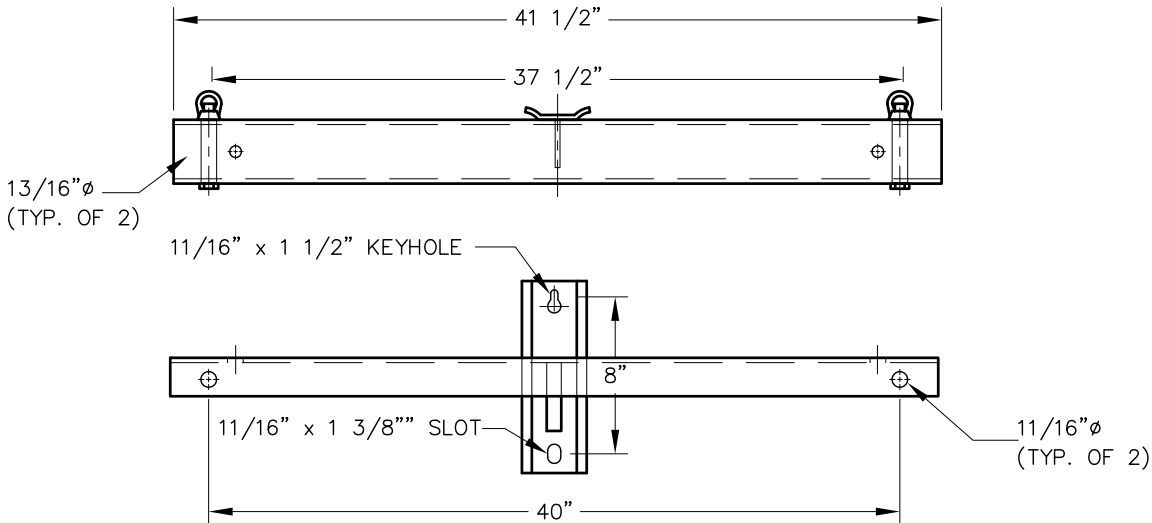
#### SPECIFICATIONS

1. WEIGHT: 29 POUNDS
2. STRENGTH RATING PER PHASE: 4,500 POUNDS
3. MATERIAL: HOT ROLLED STEEL
4. FINISH: HOT DIPPED GALVANIZED

## 41 1/2" CHANNEL STEEL ARM

CONSTRUCTED OF 4" CHANNEL COMPLETE WITH 5/8"x6" BOLTS AND EYEBOLTS WITH  
DOWN GUY ATTACHMENT. MOUNTS WITH 11/16"x1 1/2" KEYHOLE AND 11/16"x1 3/8" SLOT

SDA-8



### CATALOG NO: AMI-955

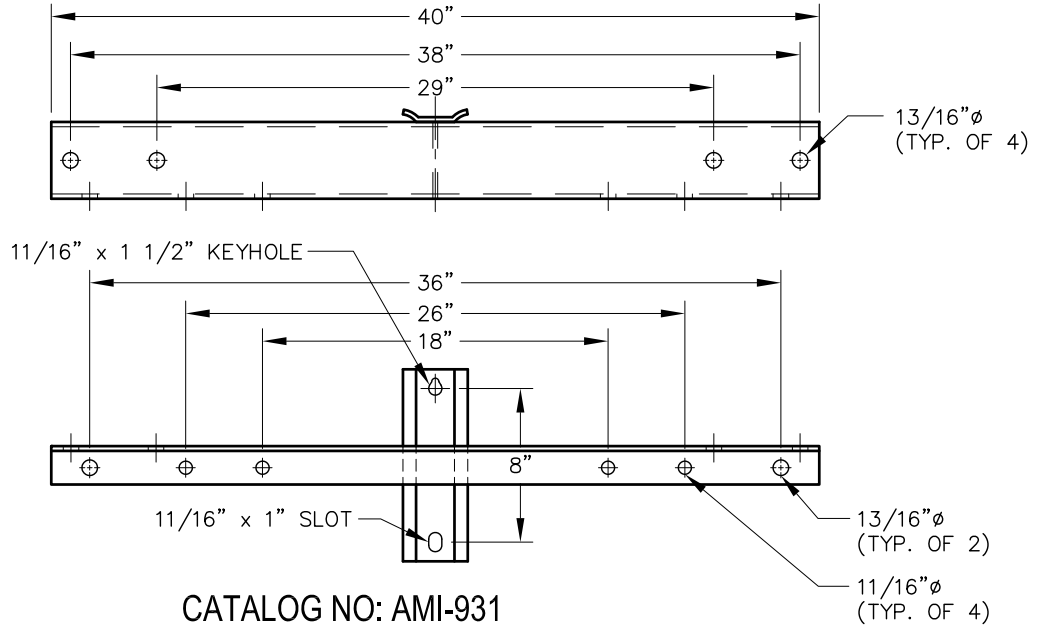
#### SPECIFICATIONS

1. FINISH: HOT DIPPED GALVANIZED
2. FOR EYEBOLTS ADD -EB AFTER CATALOG NUMBER, EXAMPLE: AMI-955-EB
3. STRENGTH RATING PER PHASE 6000 LBS
4. WEIGHT 27 LBS

# STEEL DISTRIBUTION ARMS

## 40" CHANNEL STEEL ARM

CONSTRUCTED OF 4" CHANNEL WITH DOWN GUY ATTACHMENT. MOUNTS TO POLE WITH 5/8"Ø BOLTS



**CATALOG NO: AMI-931**

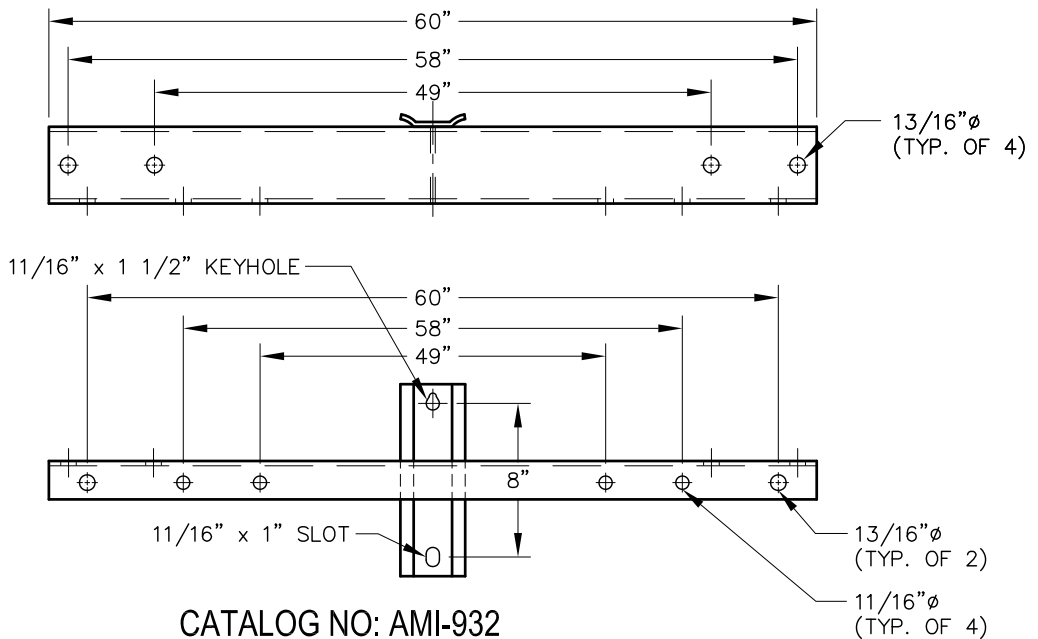
### SPECIFICATIONS

1. WEIGHT: 27 POUNDS
2. STRENGTH RATING PER PHASE: 6,000 POUNDS
3. MATERIAL: HOT ROLLED STEEL
4. FINISH: HOT DIPPED GALVANIZED

SDA-9

## 60" CHANNEL STEEL ARM

CONSTRUCTED OF 5" CHANNEL WITH DOWN GUY ATTACHMENT. MOUNTS TO POLE WITH 5/8"Ø BOLTS



**CATALOG NO: AMI-932**

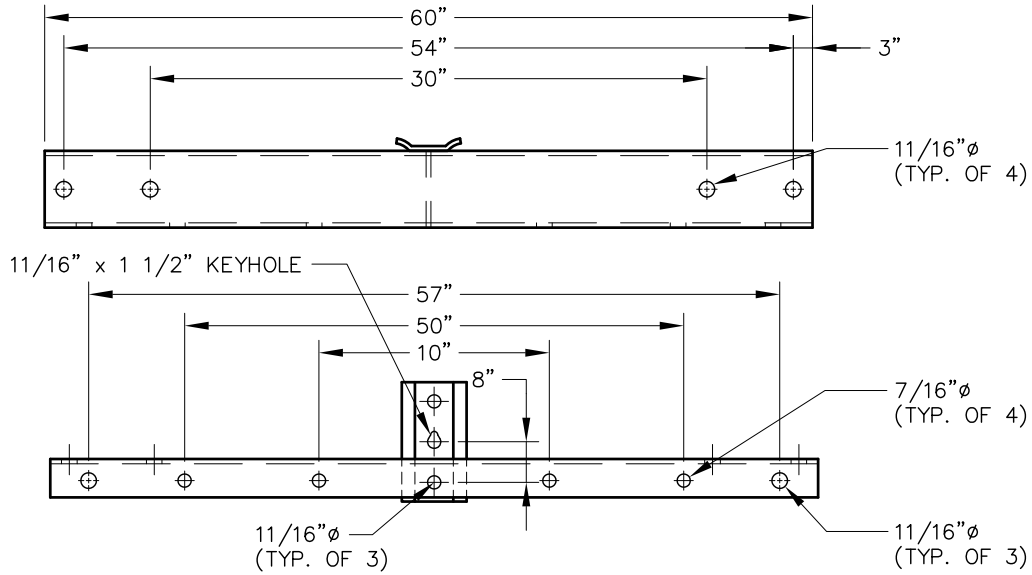
### SPECIFICATIONS

1. WEIGHT: 41 POUNDS
2. STRENGTH RATING PER PHASE: 5,000 POUNDS
3. MATERIAL: HOT ROLLED STEEL
4. FINISH: HOT DIPPED GALVANIZED

# STEEL DISTRIBUTION ARMS

ACTION  
MFG.  
INC.

## 60" CHANNEL STEEL ARM CONSTRUCTED OF 5" CHANNEL WITH 5/8"Ø BOLTS



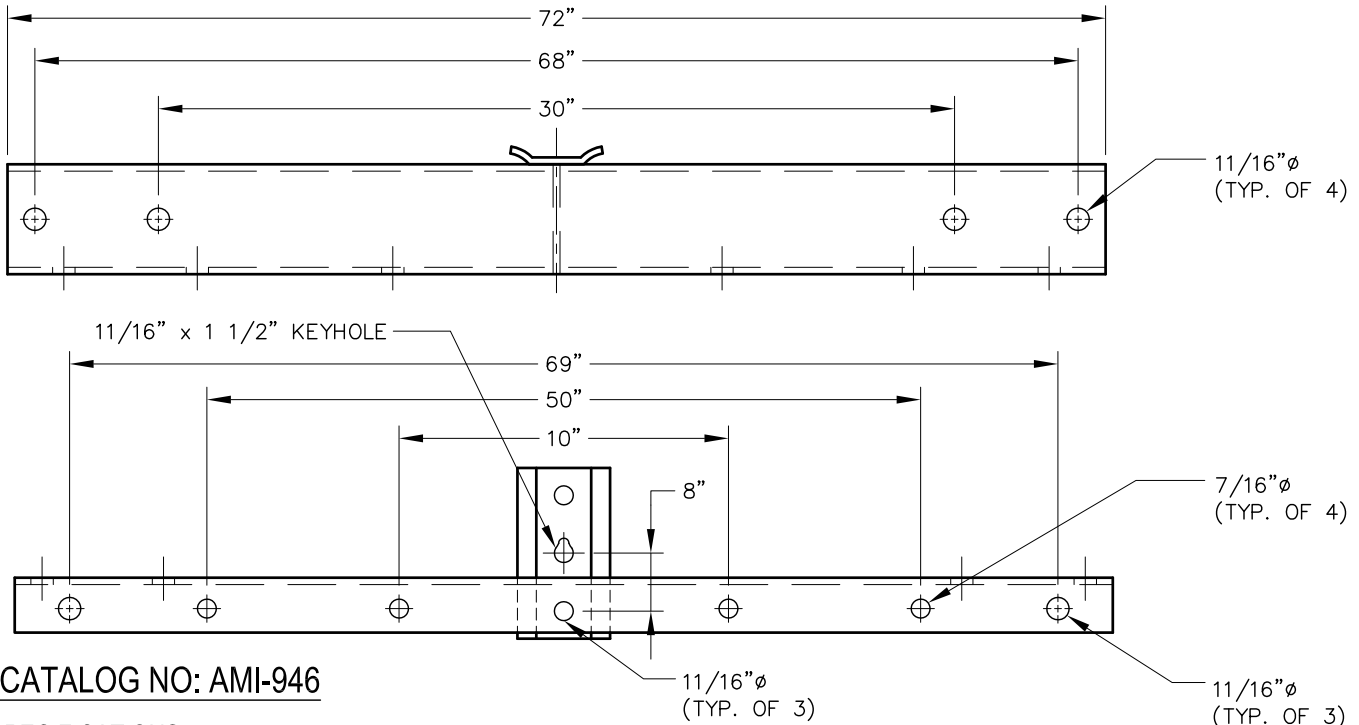
CATALOG NO: AMI-947

### SPECIFICATIONS

1. WEIGHT: 45 POUNDS
2. STRENGTH RATING PER PHASE: 5,000 POUNDS
3. FINISH: HOT DIPPED GALVANIZED

## 72" CHANNEL STEEL ARM CONSTRUCTED OF 5" CHANNEL WITH 5/8"Ø BOLTS

SDA-10



CATALOG NO: AMI-946

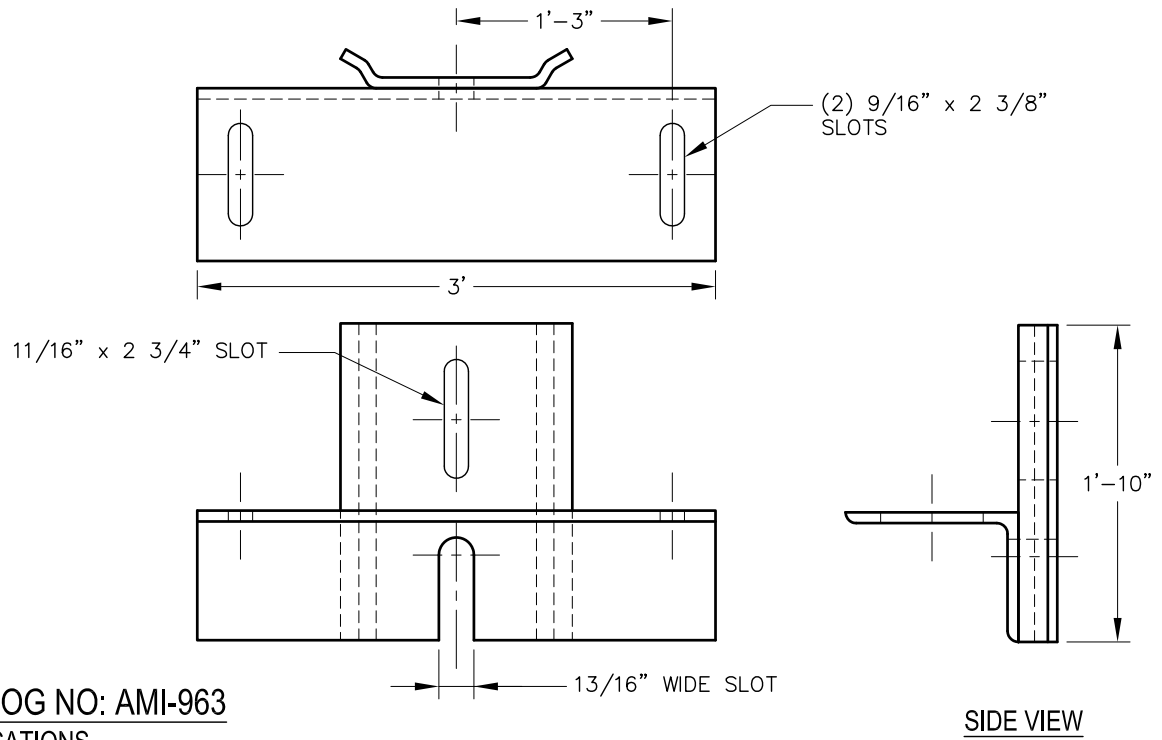
### SPECIFICATIONS

1. WEIGHT: 45 POUNDS
2. STRENGTH RATING PER PHASE: 5,000 POUNDS
3. FINISHED: HOT DIP GALVANIZED

# STEEL DISTRIBUTION ARMS

## CROSSARM GAIN

THIS GAIN ADDS STABILITY AND STRENGTH TO CROSSARMS FOR DEADENING & MOUNTING EQUIPMENT.



**CATALOG NO: AMI-963**

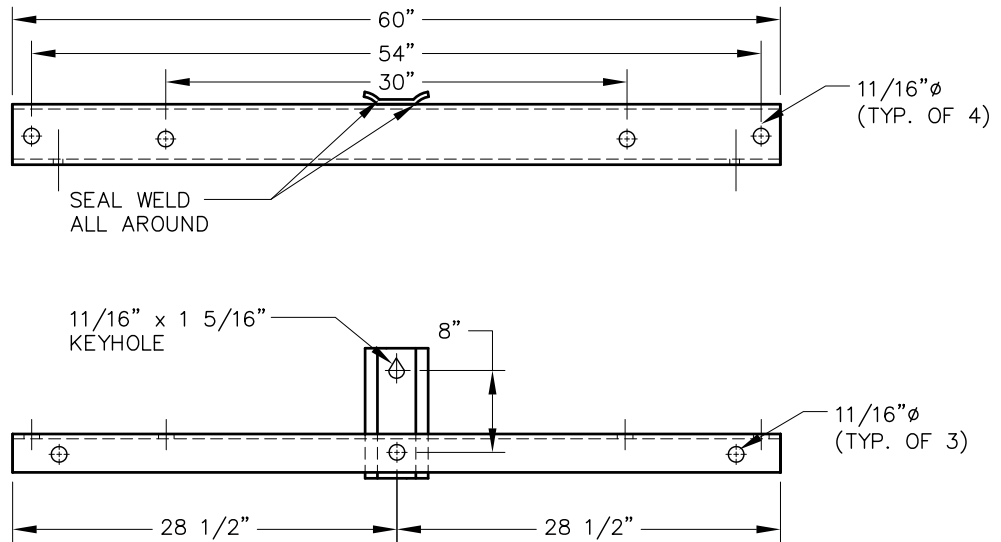
**SPECIFICATIONS**

1. MATERIAL: H.R. STEEL
2. FINISH: HOT DIPPED GALVANIZED

**SDA-11**

## 60" TUBULAR STEEL ARM

CONSTRUCTED OF 5x2x3/16" TUBULAR STEEL. MOUNTS WITH 5/8" BOLTS



**CATALOG NO: AMI-944**

**SPECIFICATIONS**

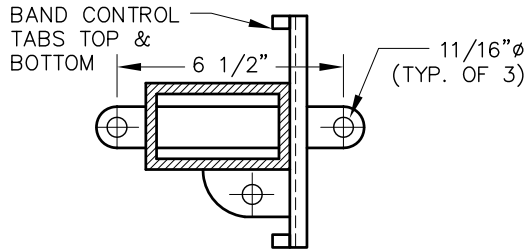
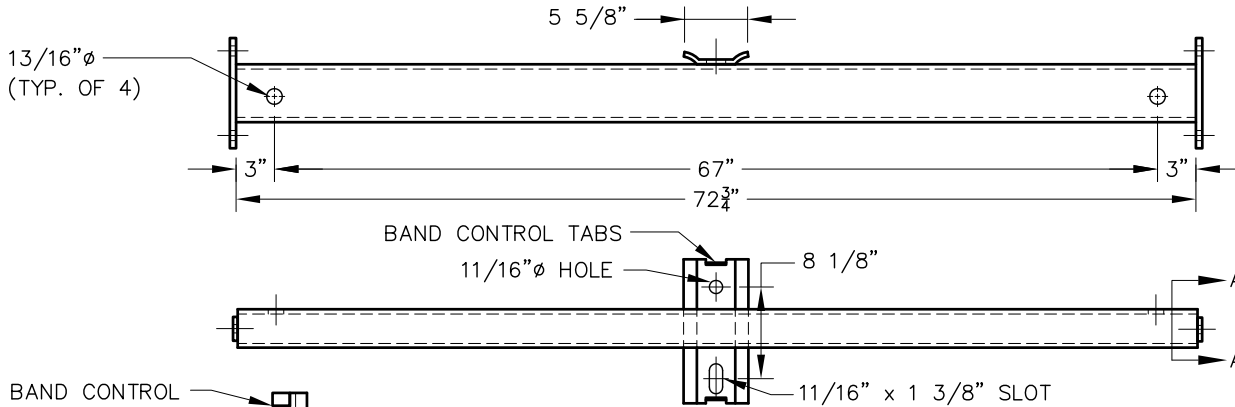
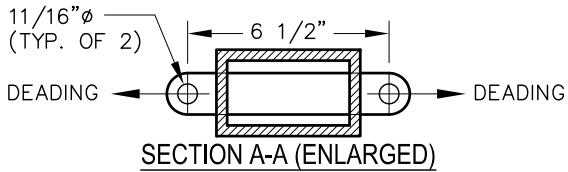
1. MATERIAL: HOT ROLLED STEEL
2. FINISH: HOT DIPPED GALVANIZED

# STEEL DISTRIBUTION ARMS

ACTION  
MFG.  
INC.

## 72" TUBULAR STEEL ARM

CONSTRUCTED OF 3x4x3/16" STEEL TUBING WELDED TO END PLATES AND POLE-GAIN. END PLATES PERMIT ATTACHMENT OF IN-LINE AND LATERAL SUSPENSION INSULATORS. MOUNTS TO POLE WITH 5/8"Ø BOLTS.



FOR OPTIONAL GUY ATTACHMENT PLATE  
ADD -DG SUFFIX. EXAMPLE AMI-979-DG

**CATALOG NO: AMI-979**

### SPECIFICATIONS

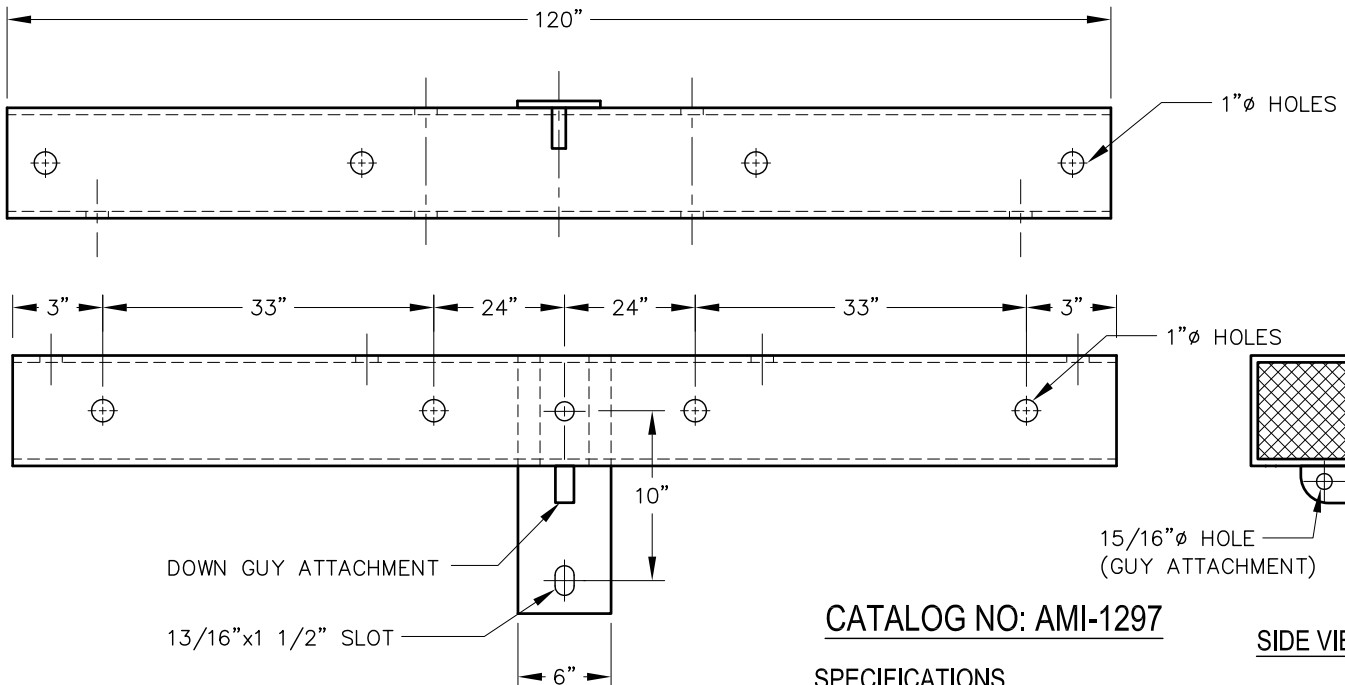
1. MATERIAL: H.R. STEEL TUBE
2. FINISH: HOT DIPPED GALVANIZED
3. STRENGTH RATING PER PHASE, 5500 LBS
4. WEIGHT 71 LBS

REFERENCE: DIXIE D21134-SP

## 10' TUBULAR STEEL ARM

CONSTRUCTION OF 5"x5"x3/16" HIGH STRENGTH STEEL TUBING WITH DOWN ATTACHMENT. MOUNTS TO POLE WITH 3/4"Ø BOLTS.

SDA-12



**CATALOG NO: AMI-1297**

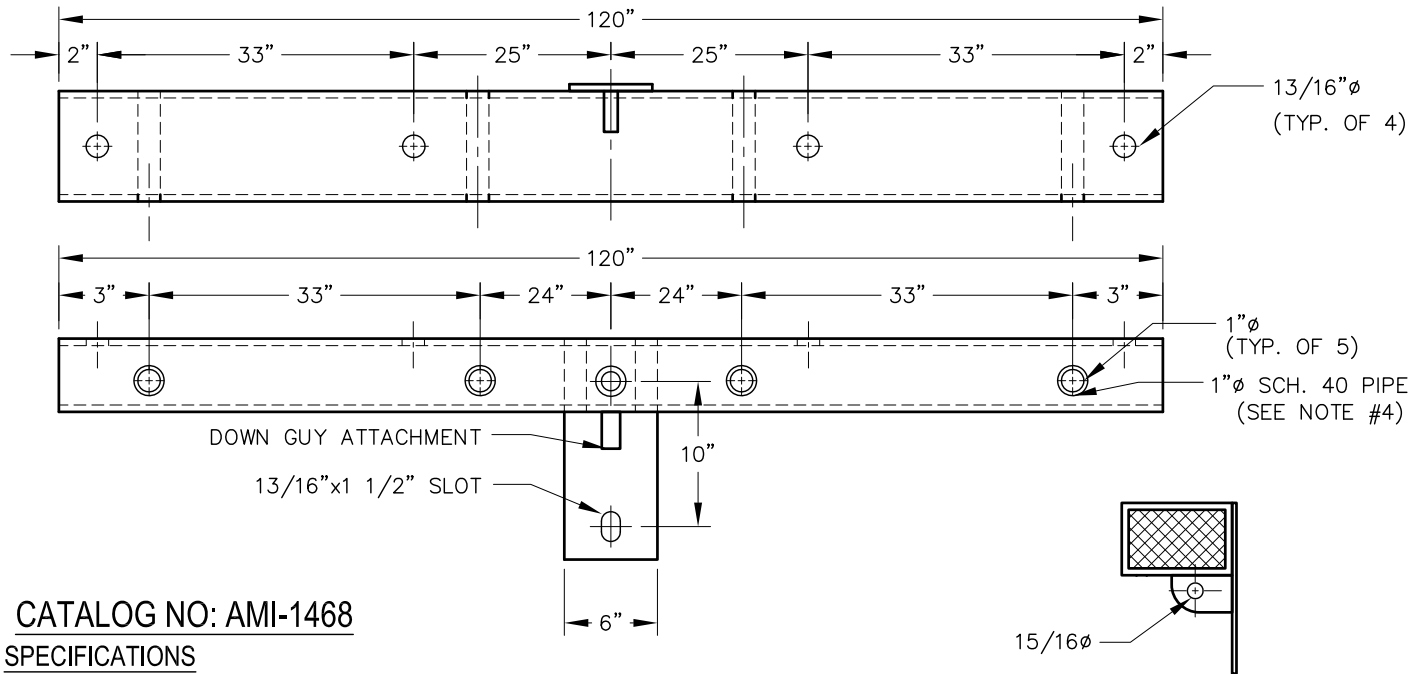
### SPECIFICATIONS

1. MATERIAL: H.R. STEEL
2. FINISH: HOT DIPPED GALVANIZED
3. STRENGTH PER PHASE 5,000 LBS.

# STEEL DISTRIBUTION ARMS

## 10' TUBULAR STEEL ARM

CONSTRUCTION OF 4x6x1/4" HIGH STRENGTH STEEL TUBING WITH DOWN ATTACHMENT. MOUNTS TO POLE WITH 3/4"Ø BOLTS.



CATALOG NO: AMI-1468

### SPECIFICATIONS

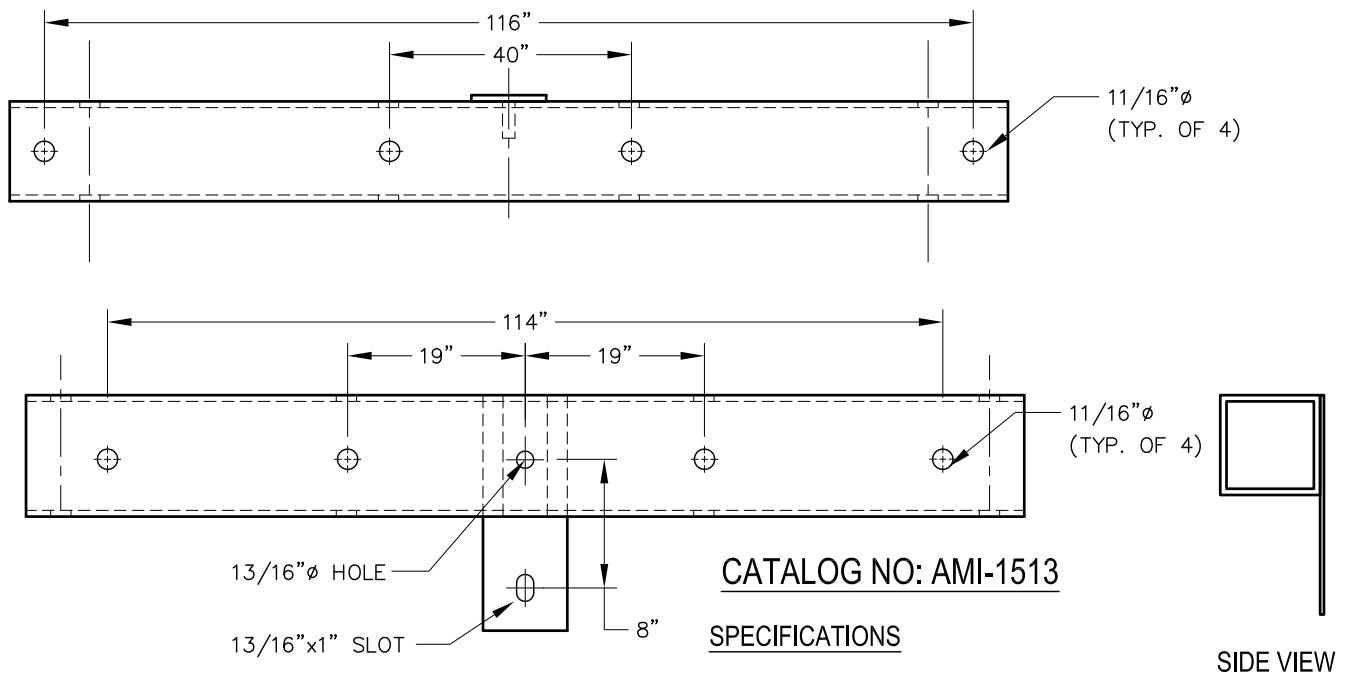
1. MATERIAL: H.R. STEEL
2. FINISH: HOT DIPPED GALVANIZED
3. STRENGTH PER PHASE 13,000 LBS.
4. HOLES FOR DEADENING TO INTERNALLY BUSHED WITH 1" PIPE

BAR 3/4" x 3" x 3"  
(GUY ATTACHMENT)

SDA-13

## 10' TUBULAR STEEL ARM

CONSTRUCTION OF 5x5x3/16" HIGH STRENGTH STEEL TUBING WITH DOWN ATTACHMENT. MOUNTS TO POLE WITH 3/4"Ø BOLTS.



CATALOG NO: AMI-1513

### SPECIFICATIONS

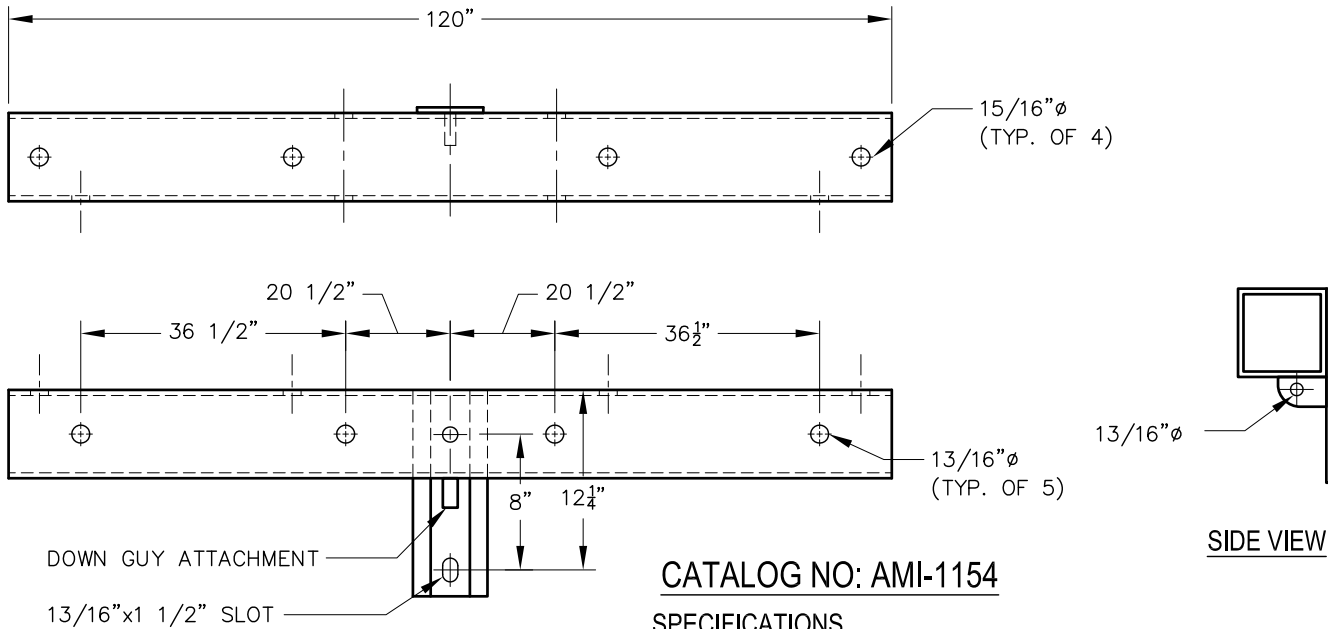
1. MATERIAL: H.R. STEEL
2. FINISH: HOT DIPPED GALVANIZED
3. STRENGTH PER PHASE 6,000 LBS.

# STEEL DISTRIBUTION ARMS

ACTION  
MFG.  
INC.

## 10' TUBULAR STEEL ARM

CONSTRUCTION OF 5x5x3/16" HIGH STRENGTH STEEL TUBING WITH DOWN ATTACHMENT. MOUNTS TO POLE WITH 3/4"Ø BOLTS.



**CATALOG NO: AMI-1154**

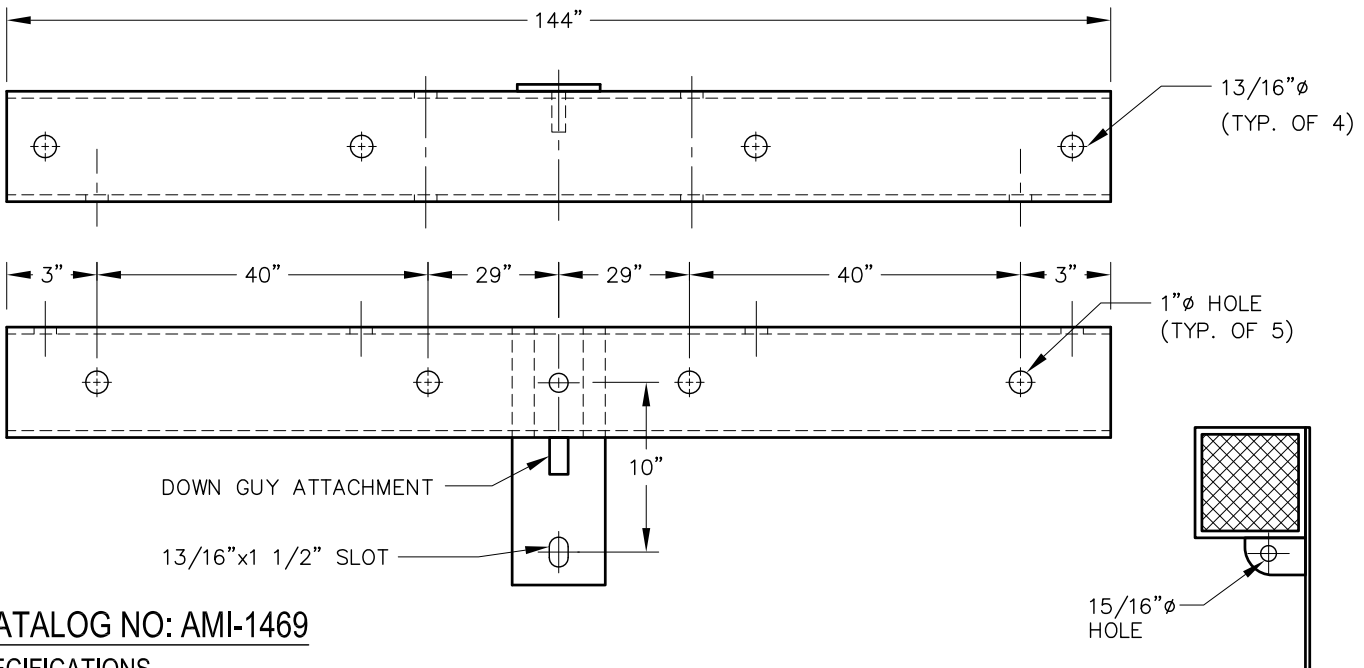
### SPECIFICATIONS

1. MATERIAL: H.R. STEEL
2. FINISH: HOT DIPPED GALVANIZED
3. STRENGTH PER PHASE 5,000 LBS.

## 12' TUBULAR STEEL ARM

CONSTRUCTION OF 5x5x3/16" HIGH STRENGTH STEEL TUBING WITH DOWN ATTACHMENT. MOUNTS TO POLE WITH 3/4"Ø BOLTS.

**SDA-14**



**CATALOG NO: AMI-1469**

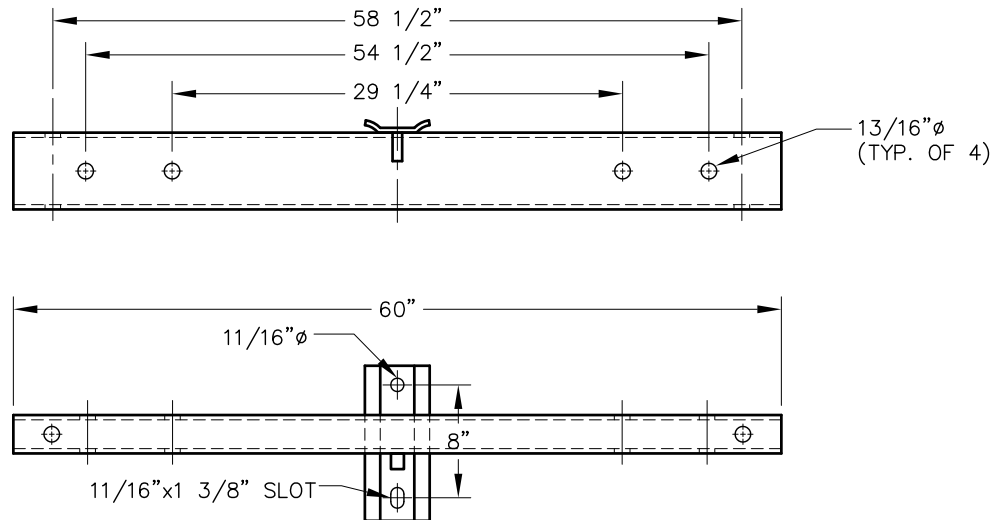
### SPECIFICATIONS

1. MATERIAL: H.R. STEEL
2. FINISH: HOT DIPPED GALVANIZED
3. STRENGTH PER PHASE 5,000 LBS.

15/16"Ø HOLE  
BAR 3/4" x 3" x 3"  
(GUY ATTACHMENT)

# STEEL DISTRIBUTION ARMS

## 60" TUBULAR STEEL ARM



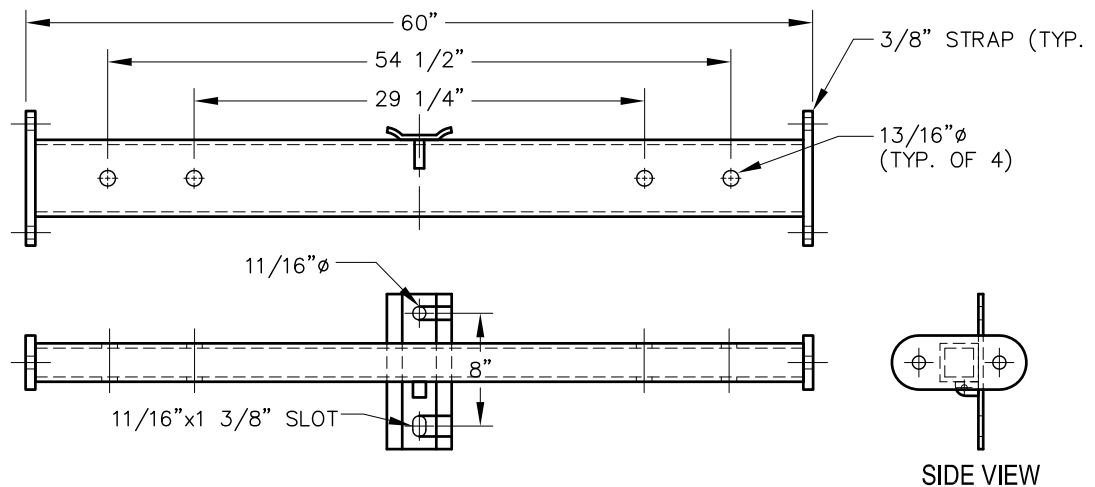
**CATALOG NO: AMI-948**

**SPECIFICATIONS**

1. MATERIAL: HIGH STRENGTH RECT. STEEL TUBING 2"x4"
2. FINISH: HOT DIPPED GALVANIZED
3. WEIGHT: 52 LBS.
4. STRENGTH PER PHASE 9,000 LBS.

**SDA-15**

## 60" TUBULAR STEEL ARM



**CATALOG NO: AMI-949**

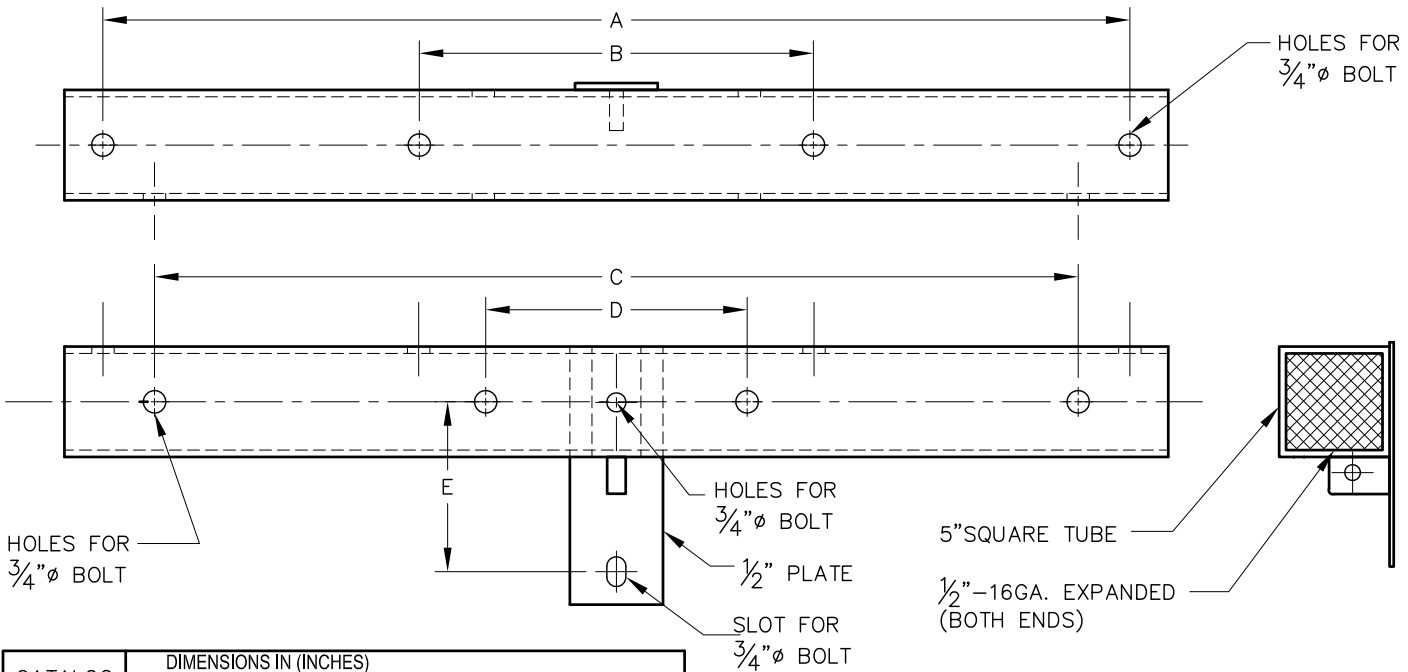
**SPECIFICATIONS**

1. MATERIAL: HIGH STRENGTH RECT. STEEL TUBING 2"x4"
2. FINISH: HOT DIPPED GALVANIZED
3. WEIGHT: 51 LBS.
4. STRENGTH PER PHASE 9,000 LBS.

# STEEL DISTRIBUTION ARMS

ACTION  
MFG.  
INC.

## TUBULAR STEEL CROSSARMS



CATALOG NUMBERS	DIMENSIONS IN (INCHES)					
	NOMINAL LENGTH "L"	"A"	"B"	"C"	"D"	"E"
AMI-1086	5'-4" (64)	60	36	58	N/A	8
AMI-425	8'-6" (102)	98	40	96	38	8
AMI-1504	9'-8" (116)	112	40	110	38	8
AMI-1505	9'-8" (116)	112	40	110	38	10

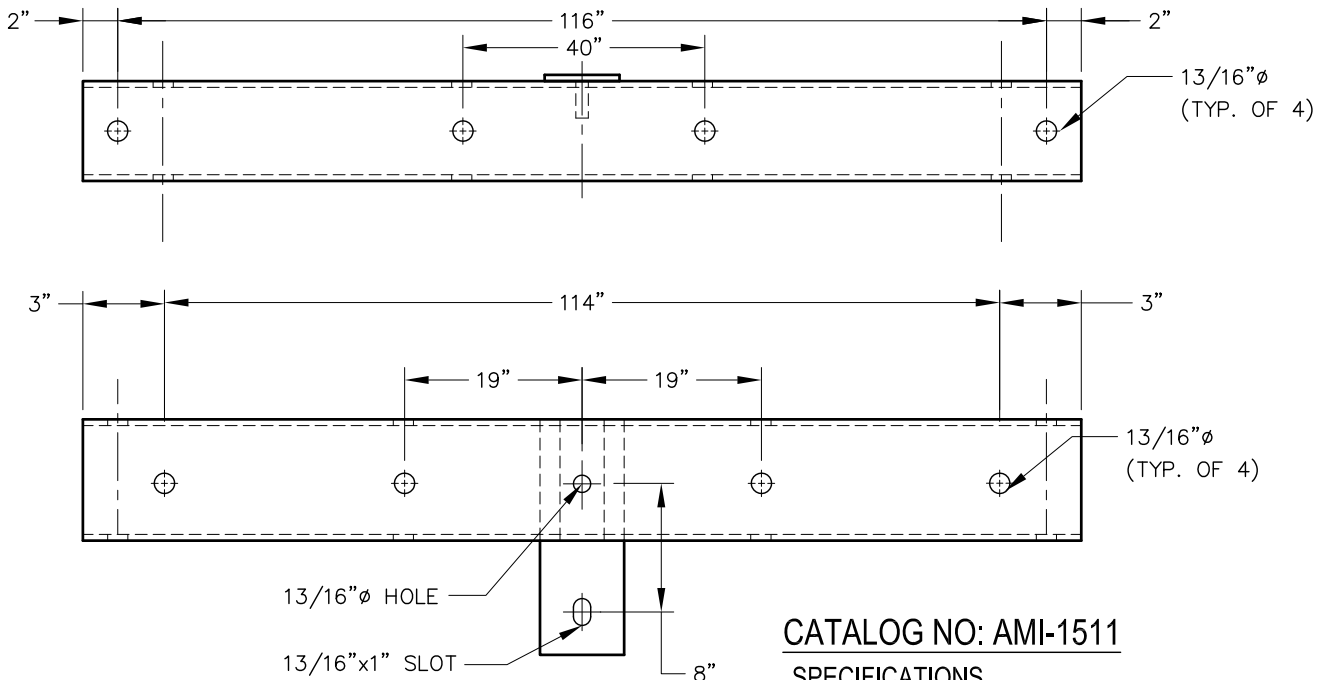
### SPECIFICATIONS

1. MATERIAL: H.R. STEEL - 5x5 A500 GRADE B. TUBING
2. FINISH: HOT DIPPED GALVANIZED
3. STRENGTH PER PHASE 5,000 LBS.

## 10' TUBULAR STEEL ARM

CONSTRUCTION OF 5x5x3/16" HIGH STRENGTH STEEL TUBING WITH DOWN ATTACHMENT. MOUNTS TO POLE WITH 3/4" Ø BOLTS.

SDA-16



### CATALOG NO: AMI-1511

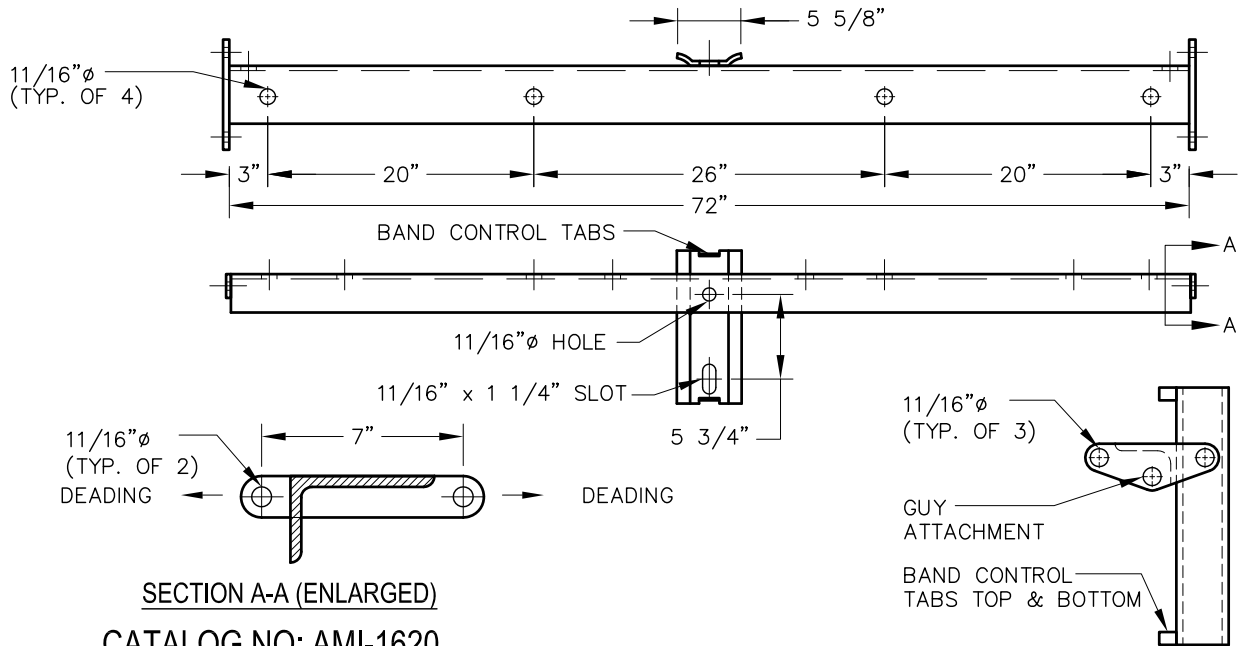
#### SPECIFICATIONS

1. MATERIAL: H.R. STEEL
2. FINISH: HOT DIPPED GALVANIZED
3. STRENGTH PER PHASE 6,000 LBS.

# STEEL DISTRIBUTION ARMS

## 72" ANGULAR STEEL ARM

CONSTRUCTED OF 3/8" x 3" x 5" STEEL ANGLE WELDED TO END PLATES AND POLE-GAIN. END PLATES PERMIT ATTACHMENT ON IN-LINE AND LATERAL SUSPENSION INSULATORS. MOUNTS TO POLE WITH 5/8"Ø BOLTS.



SECTION A-A (ENLARGED)

CATALOG NO: AMI-1620

SPECIFICATIONS

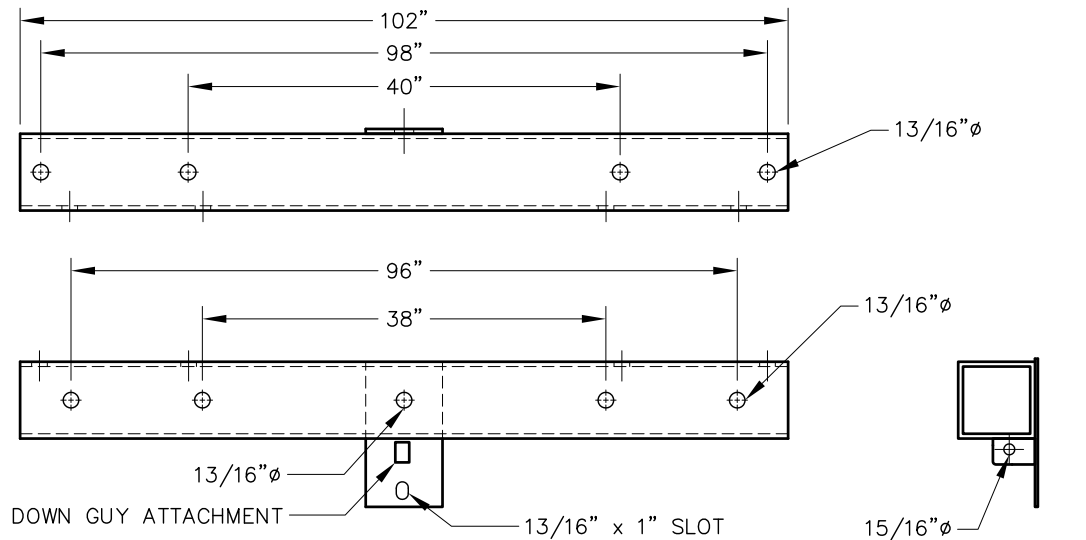
1. MATERIAL: H.R. STEEL ANGLE
2. FINISH: HOT DIPPED GALVANIZED

OPTIONAL GUY ATTACHMENT

FOR OPTIONAL GUY ATTACHMENT PLATE ADD -GA SUFFIX. EXAMPLE AMI-1620GA

**SDA-17** 102" CHANNEL STEEL ARM

CONSTRUCTED OF 5"x5" HIGH STRENGTH STEEL TUBING WITH DOWN GUY ATTACHMENT. MOUNTS TO POLE WITH 3/4"Ø BOLTS



CATALOG NO: AMI-935

SPECIFICATIONS

1. WEIGHT: 77 POUNDS
2. STRENGTH RATING PER PHASE: 6,000 POUNDS
3. MATERIAL: HOT ROLLED STEEL
4. FINISH: HOT DIPPED GALVANIZED

SIDE VIEW